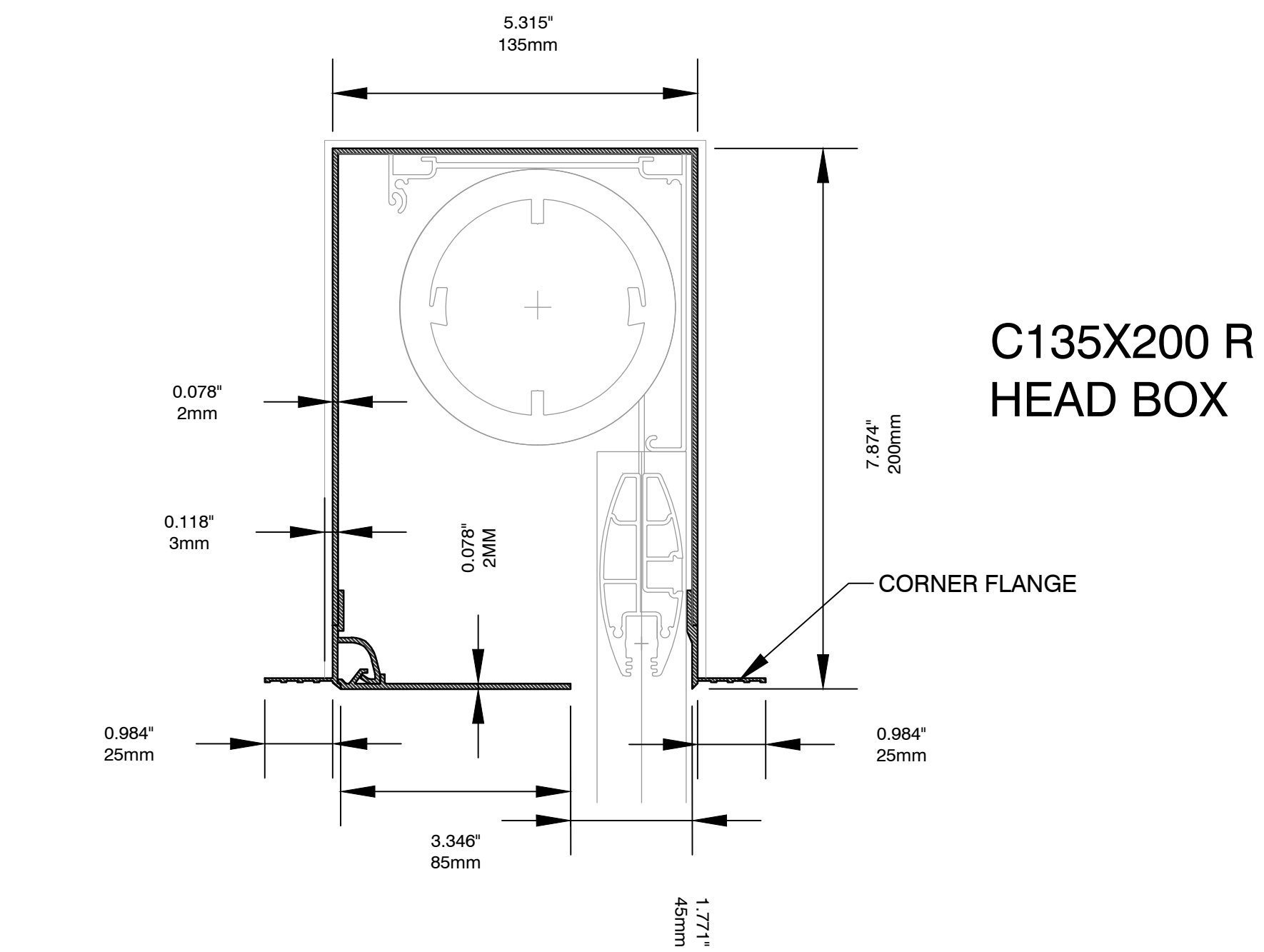


Light & Shade SOLUTIONS

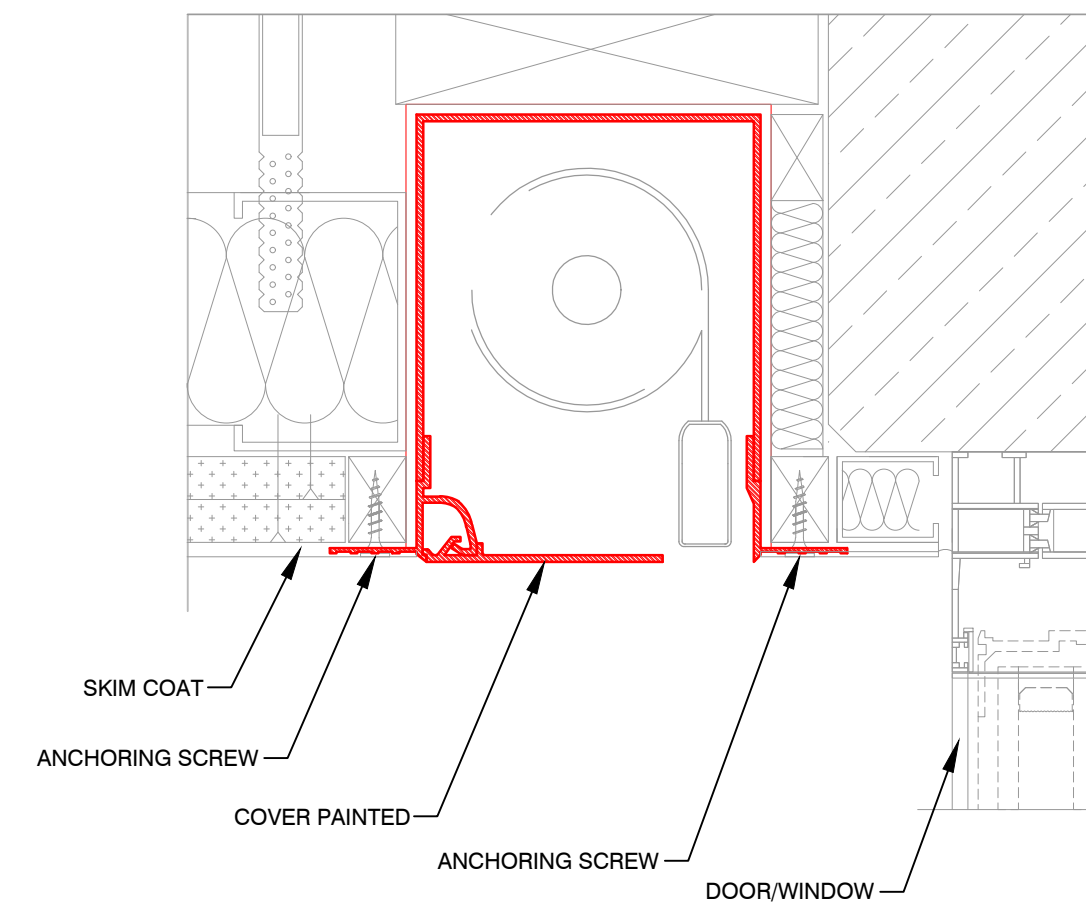
C135X200



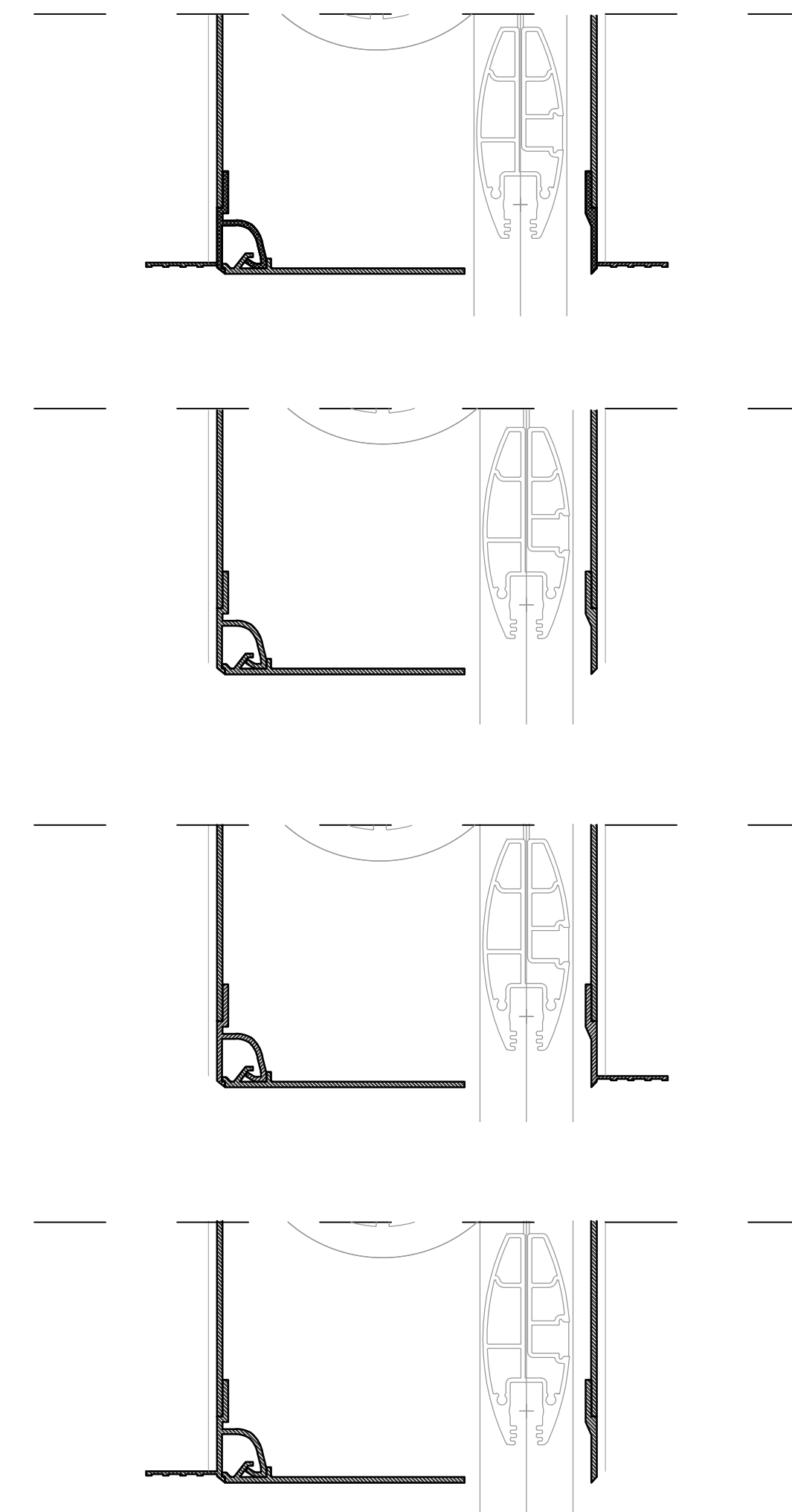
C135X200 R HEAD BOX

SAMPLE INSTILLATION DETAIL

(APPROX. IN SCALE, DO NOT SCALE FROM SAMPLE)



SKIM COAT FLANGES LOCATION OPTIONS

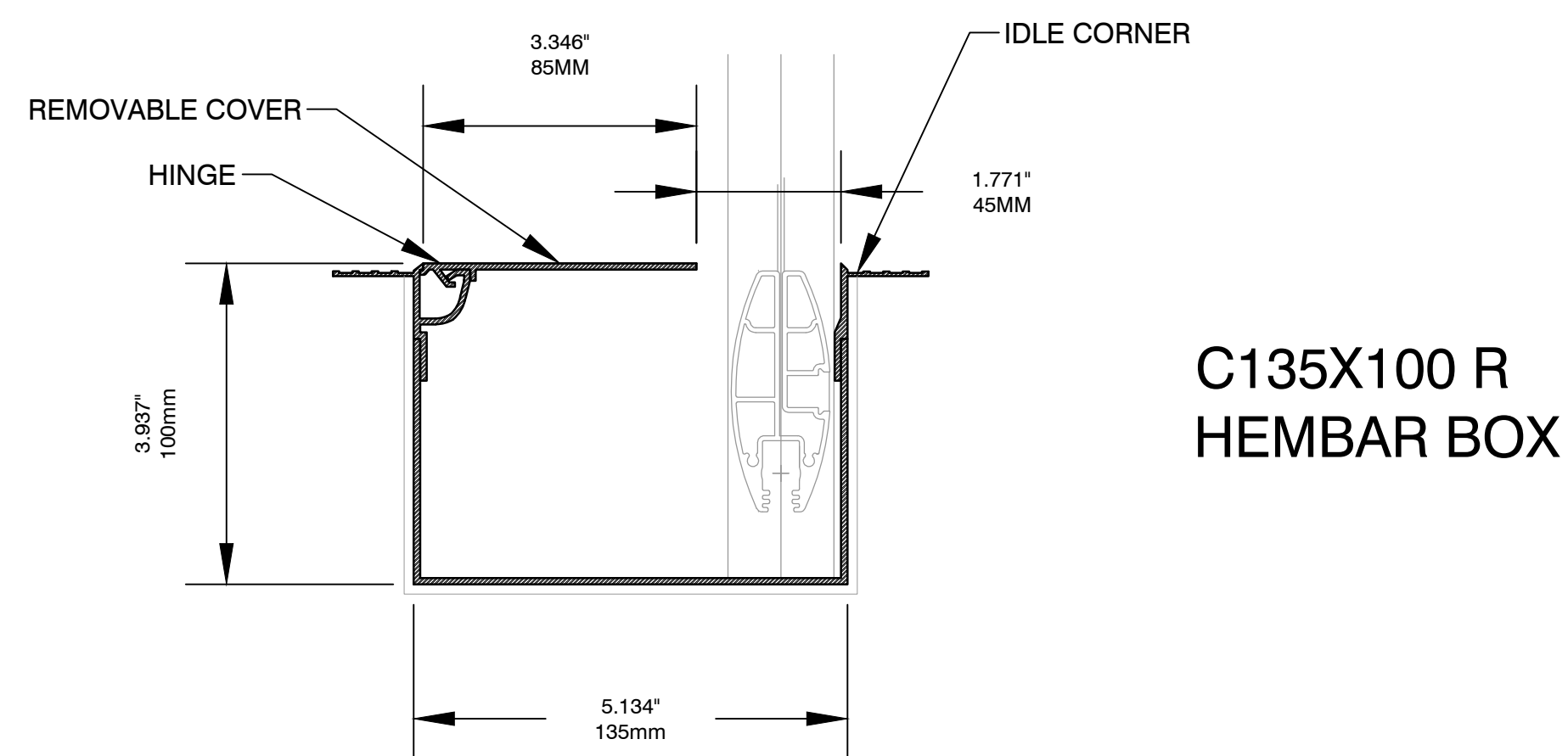


REGULAR - R

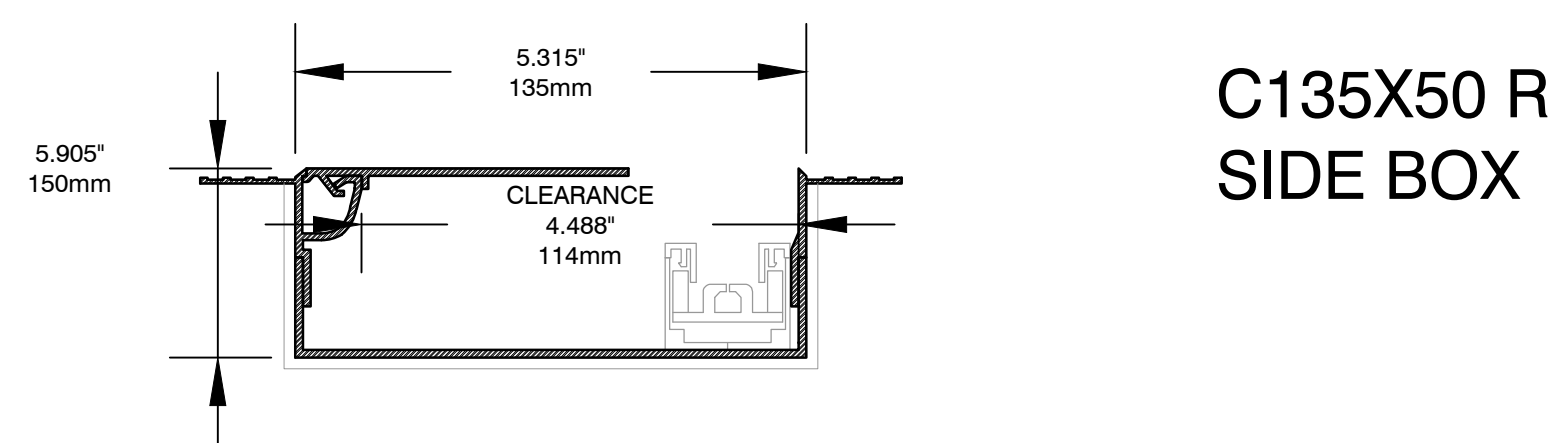
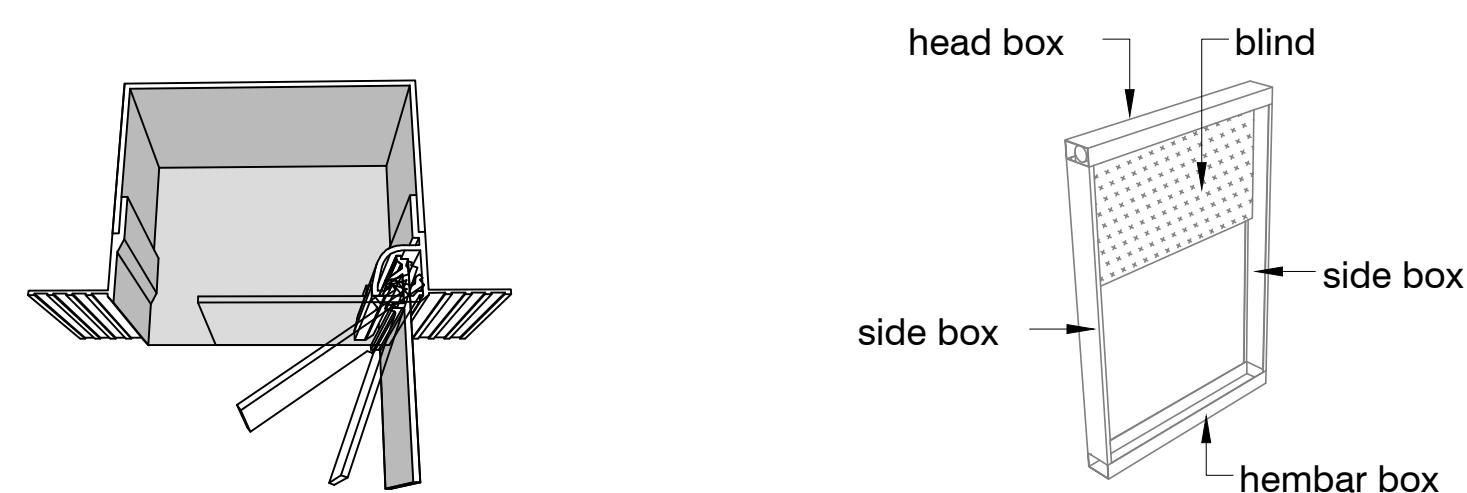
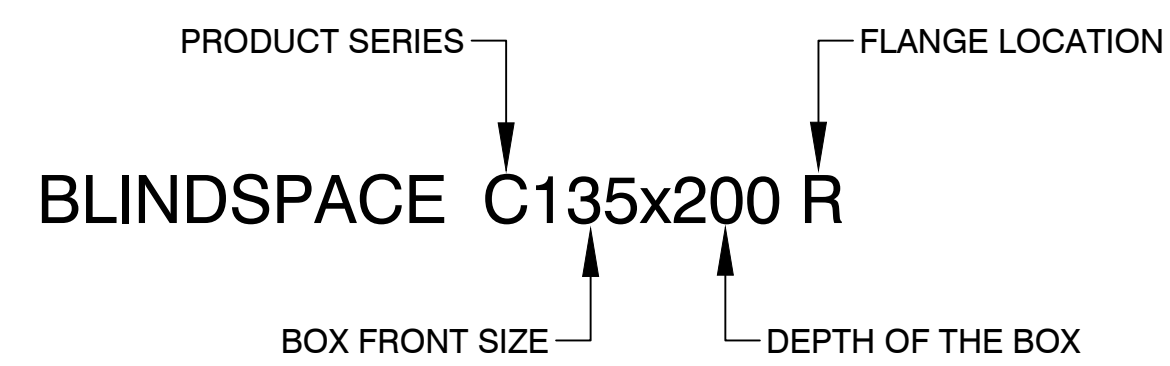
NO FLANGE - N

IDLE CORNER FLANGE - I

HINGE CORNER FLANGE - H



C135X100 R HEMBAR BOX



C135X50 R SIDE BOX

Light & Shade SOLUTIONS

BY: LIGHT AND SHADE SOLUTIONS
BRIAN TONOLE
OFFICE: 1-877-587-4233
EMAIL: SALES@LIGHTANDSHADESOLUTIONS.NET

PRODUCT: C135X200
DESCRIPTION: RECESSED ALUMINIUM BOXES AND COVERS DESIGNED TO CONCEAL WINDOWS BLINDS.

MATERIAL:
ANODIZED ALUMINIUM. GRADE:
FRONT PLATE: EN 6063 T5
BACK PLATE: EN AW-1090A H14/H24

FINISHES:
UNFINISHED FOR SITE PAINTING
PRIMED FOR SITE PAINTING
PRE-FINISHED TO RAL COLOR

BLIND SIZES TO FIT INSIDE OF BOX:

SHY: 110/90/240V WITH 75mm HEM BAR
EXACT SIZE DEPENDING ON FABRIC AND HEMBAR SELECTION
OPENING WIDTH MAX: 153.9" / 3900mm
OPENING HEIGHT MAX: 165.9" / 4200mm
MAX AREA: 138.87' / 12.8m²

INSTALLATION:

BOXES SHOULD BE FIXED ON BOTH SIDES. THE FINISHED PLASTER LEVEL SHOULD BE FLUSH WITH CHAMFERED EDGE. ANCHORING COUNTERSINK SCREWS THROUGH SKIM COAT FLANGES ARE RECOMMENDED.

ITEM NAMES:

C135X200, C135X50, C135X100

SCALE:

6"=1'-0"

SHEET #:

CS0.1