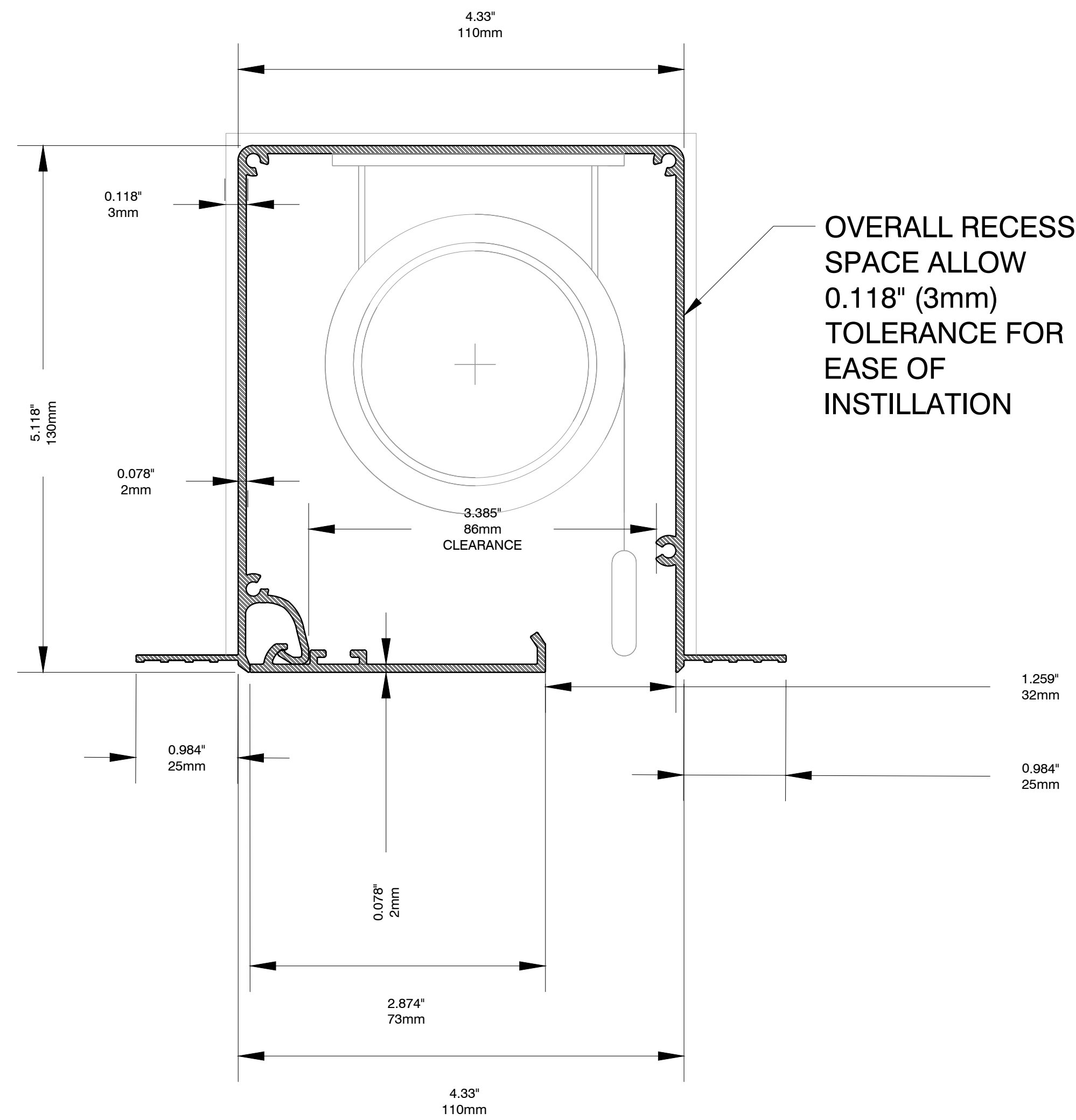


# Light & Shade SOLUTIONS

## S110x130



PRODUCT SERIES: **BLINDSPACE S110X130 R**

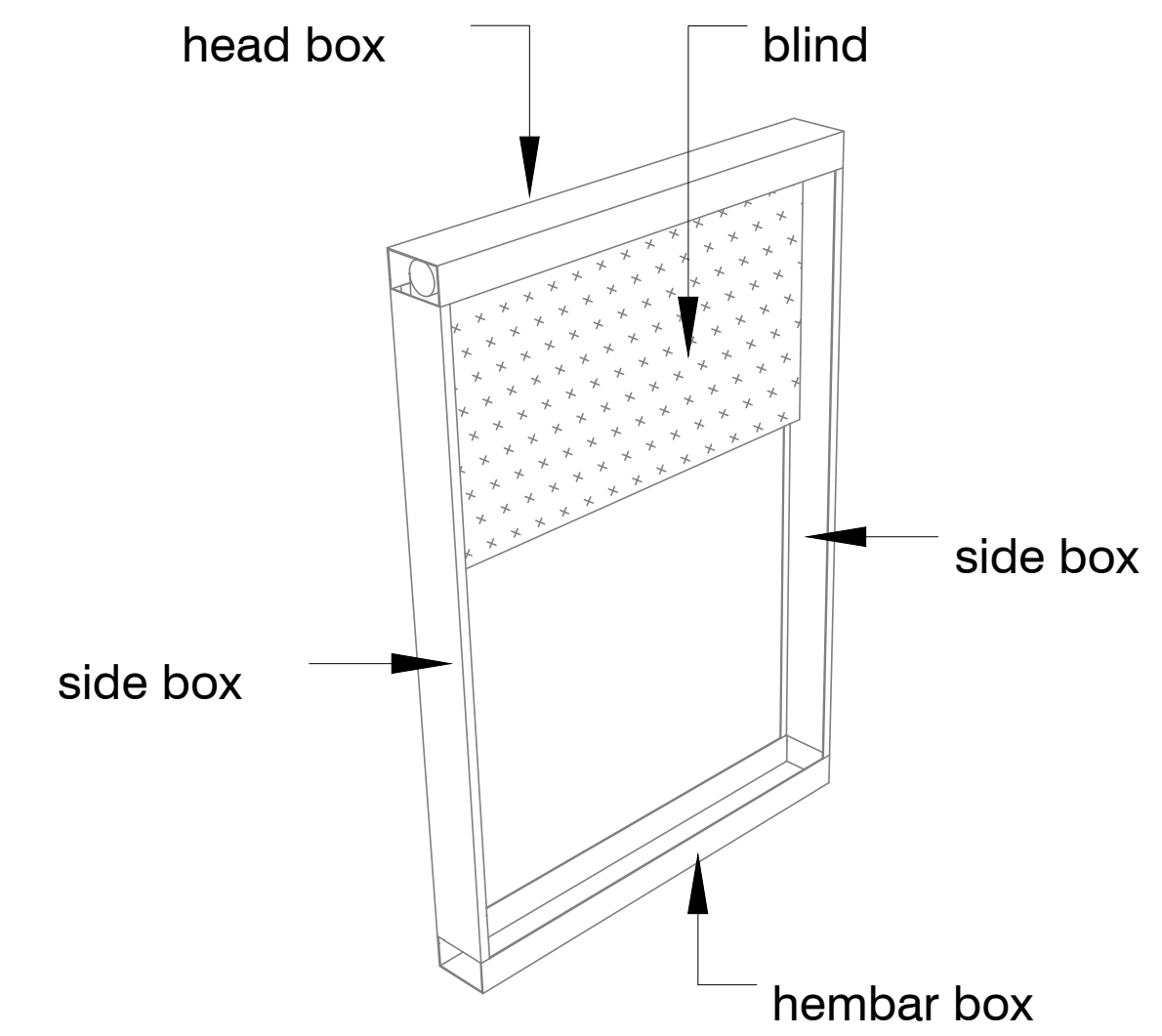
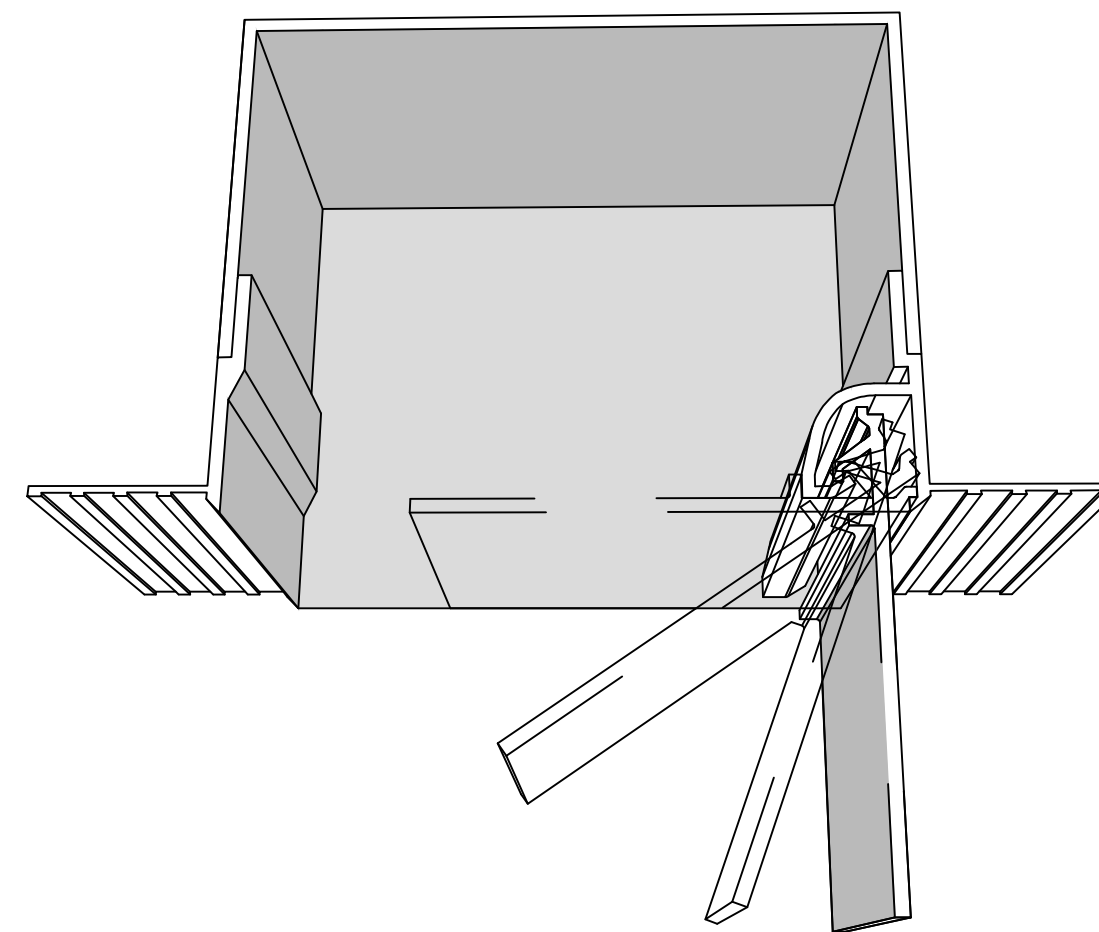
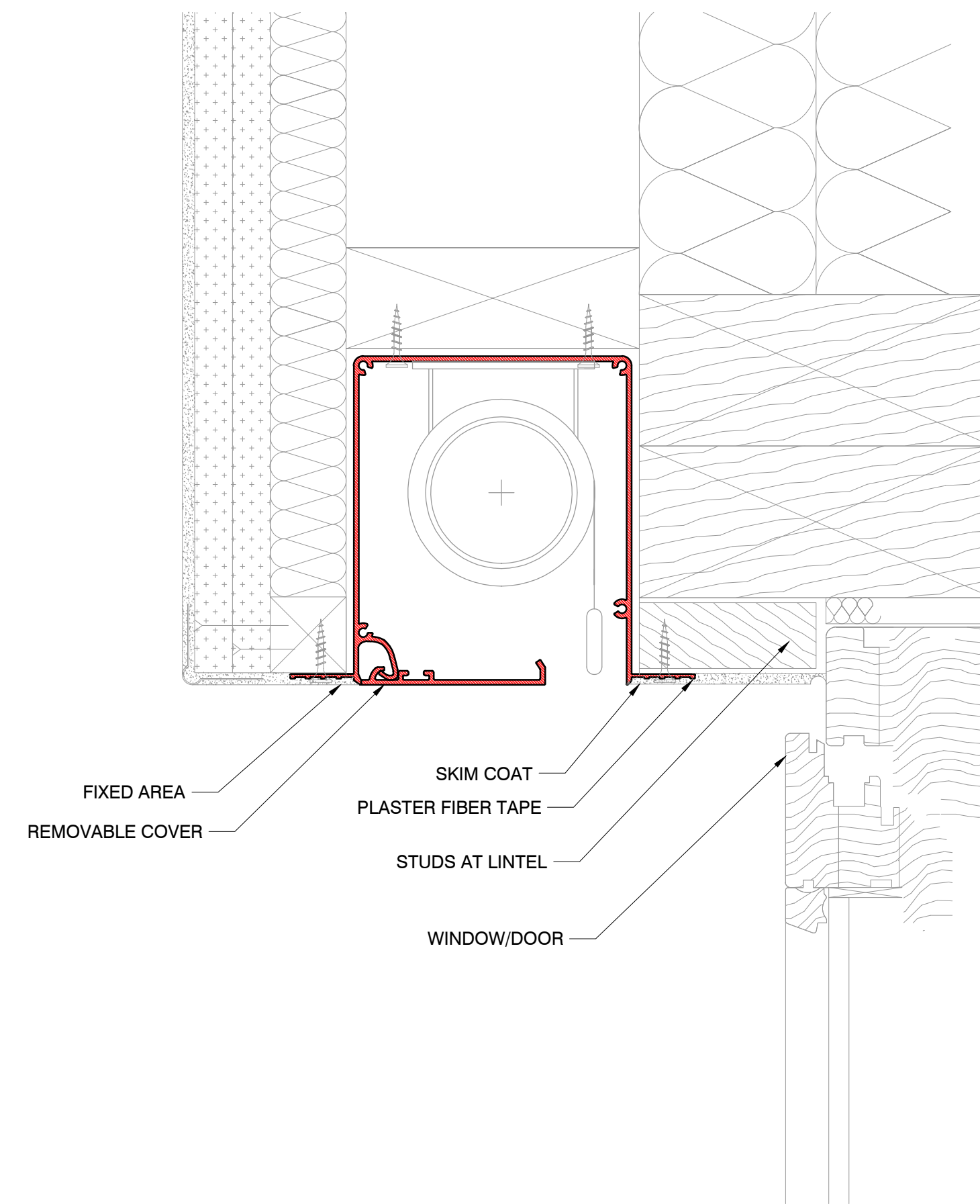
FLANGE LOCATION: **R**

BOX FRONT SIZE: **S110X130**

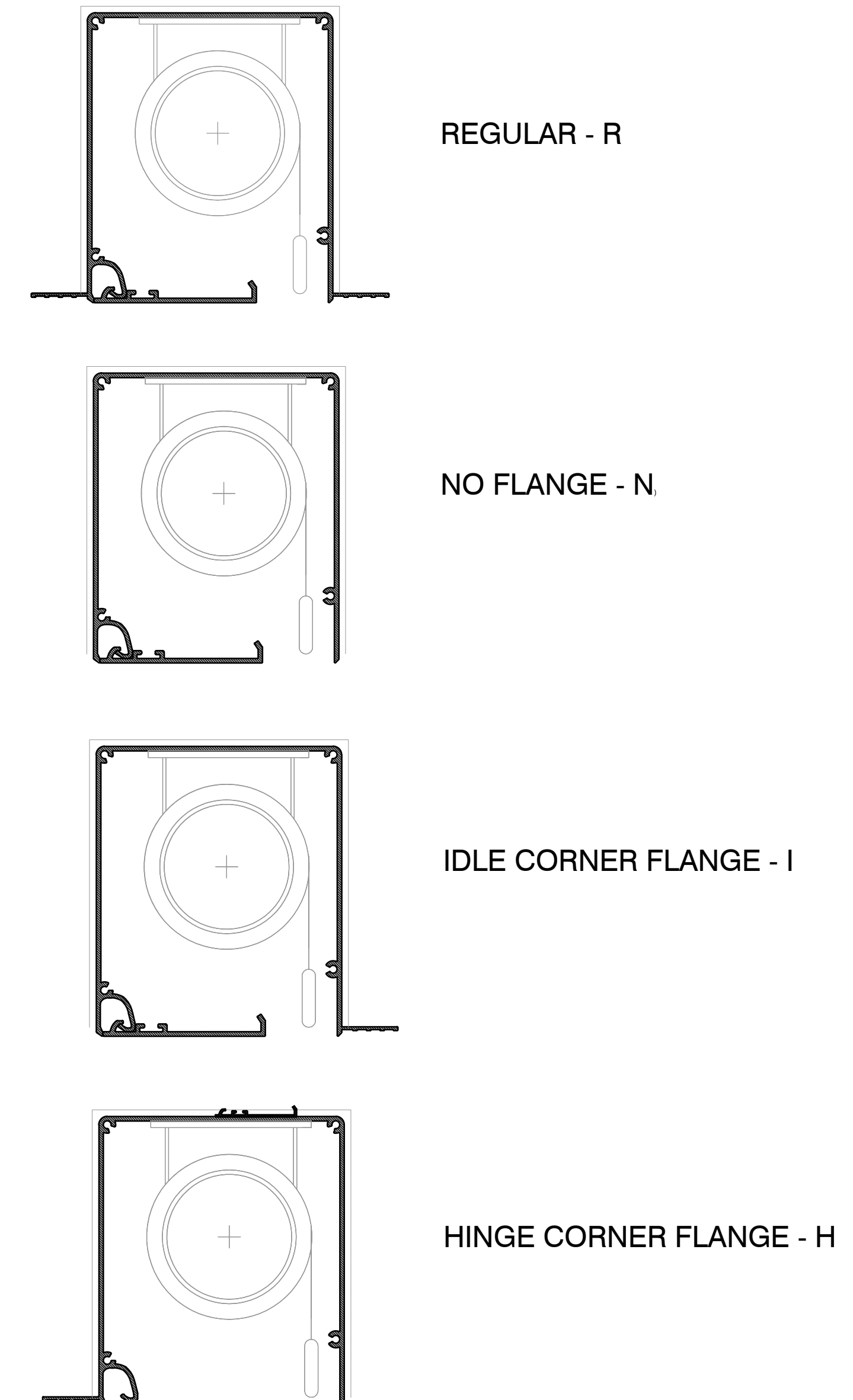
DEPTH OF THE BOX: **130**

### SAMPLE INSTILLATION DETAIL

(APPROX. IN SCALE 6"=1'; DO NOT SCALE FROM SAMPLE)



#### FLANGE EXAMPLES SCALED TO 6"=1'



# Light & Shade SOLUTIONS

BY: LIGHT AND SHADE SOLUTIONS  
 BRIAN TONOLE  
 OFFICE: 1-877-587-4233  
 EMAIL: SALES@LIGHTANDSHADESOLUTIONS.NET

PRODUCT: **S110X130**

DESCRIPTION: **RECESSED ALUMINIUM BOXES AND COVERS DESIGNED TO CONCEAL WINDOWS BLINDS.**

#### MATERIAL:

ANODIZED ALUMINIUM, grade EN 6063 T6

#### FINISHES:

UNFINISHED FOR SITE PAINTING  
 PRIMED FOR SITE PAINTING  
 PRE-FINISHED TO RAL COLOUR

#### BLIND SIZES TO FIT INSIDE OF BOX:

LARGE STANDARD ROLLER BLIND  
 EXACT SIZE DEPENDING ON FABRIC AND HEMBAR SELECTION  
 OPENING WIDTH MAX: 4000MM  
 OPENING HEIGHT MAX: 3600MM

#### INSTALLATION:

BOXES SHOULD BE FIXED ON BOTH SIDES. THE FINISHED PLASTER LEVEL SHOULD BE FLUSH WITH CHAMFERED EDGE. ANCHORING COUNTERSINK SCREWS THROUGH SKIM COAT FLANGES ARE RECOMMENDED.

#### ITEM NAMES:

S110X130

#### SCALE:

1'=1'-0

#### SHEET #:

SS0.1