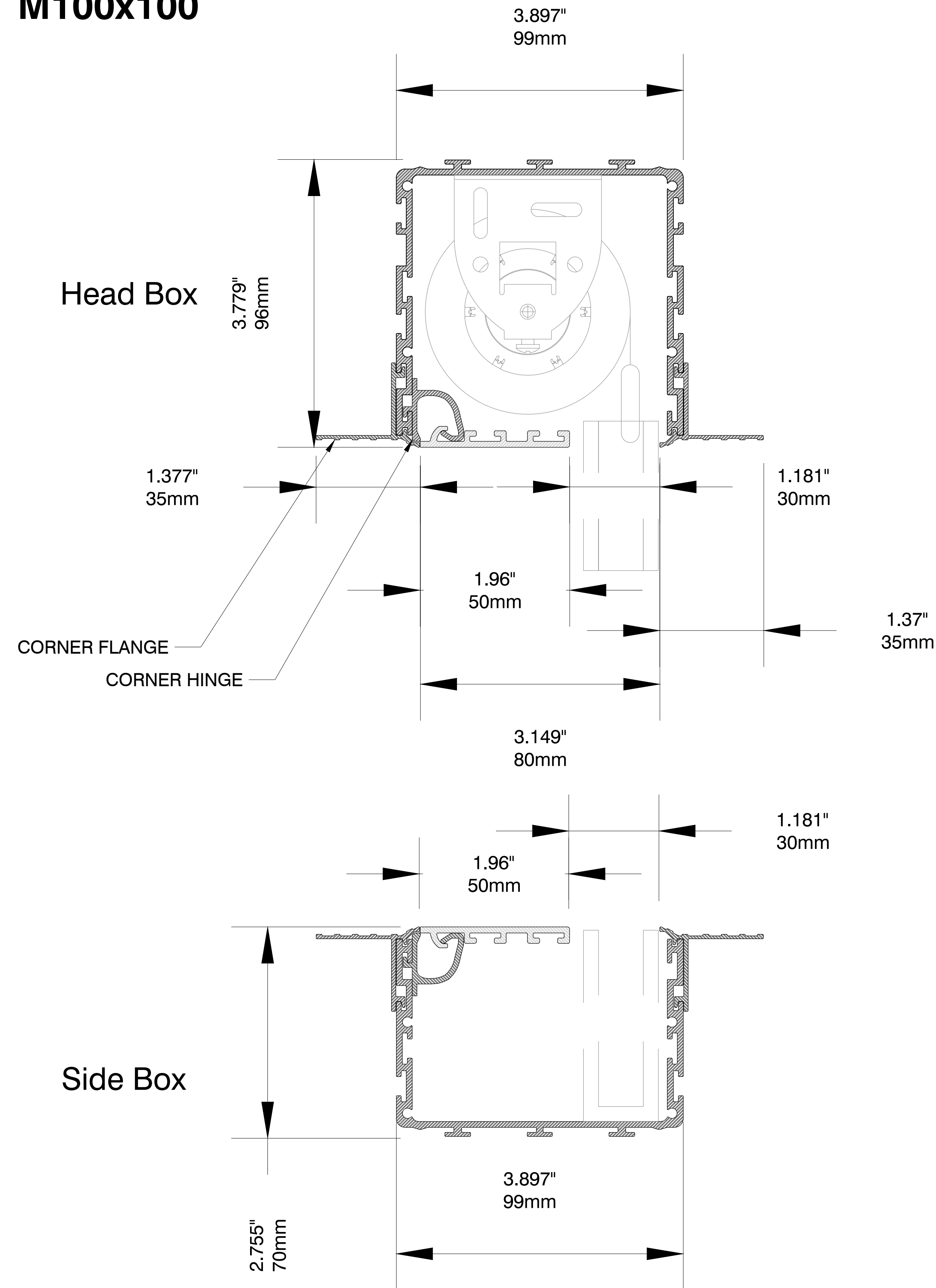


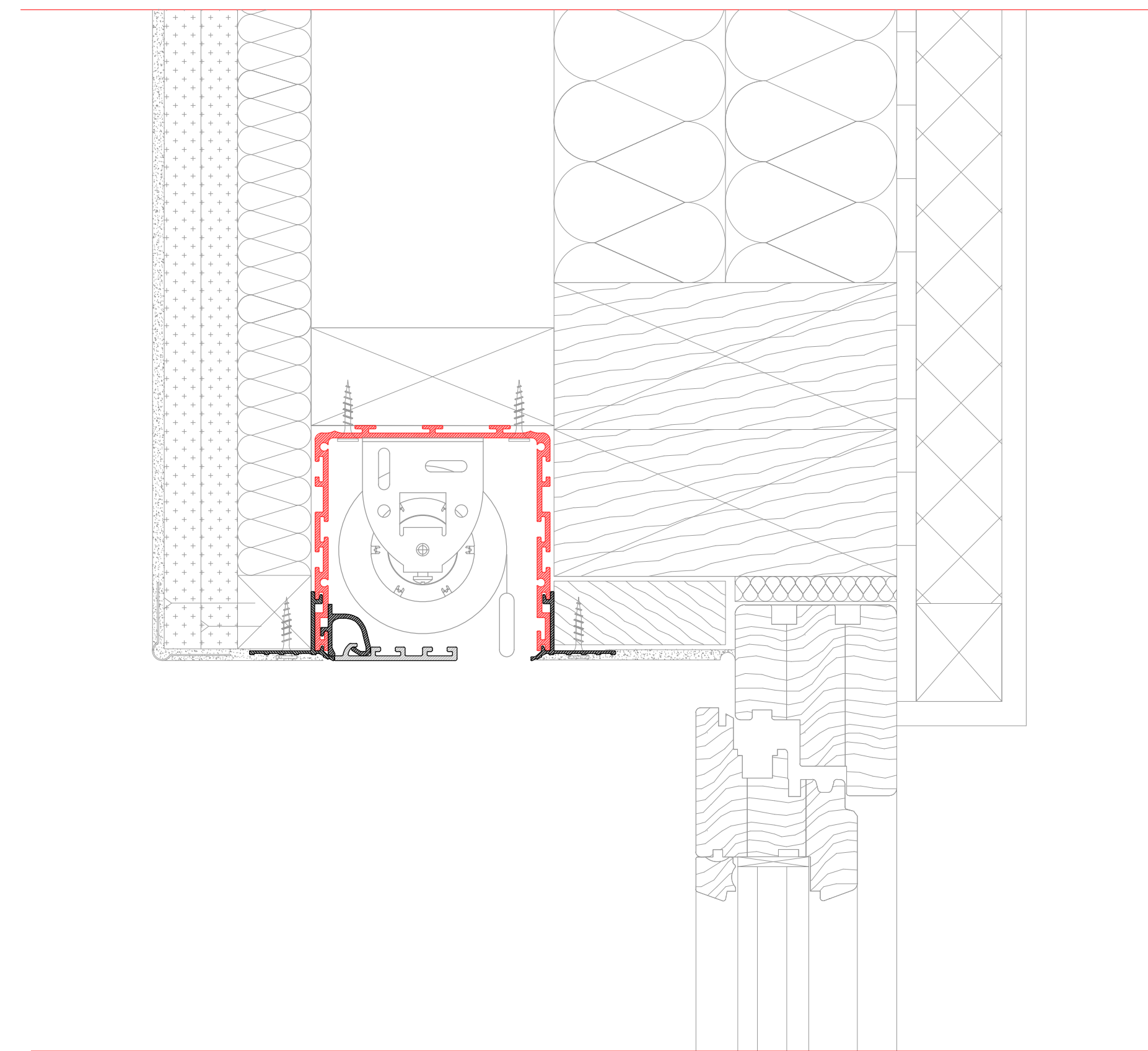
# Light & Shade SOLUTIONS

**M100x100**



## SAMPLE INSTILLATION DETAIL

(APPROX. IN SCALE 6"=1'; DO NOT SCALE FROM SAMPLE)

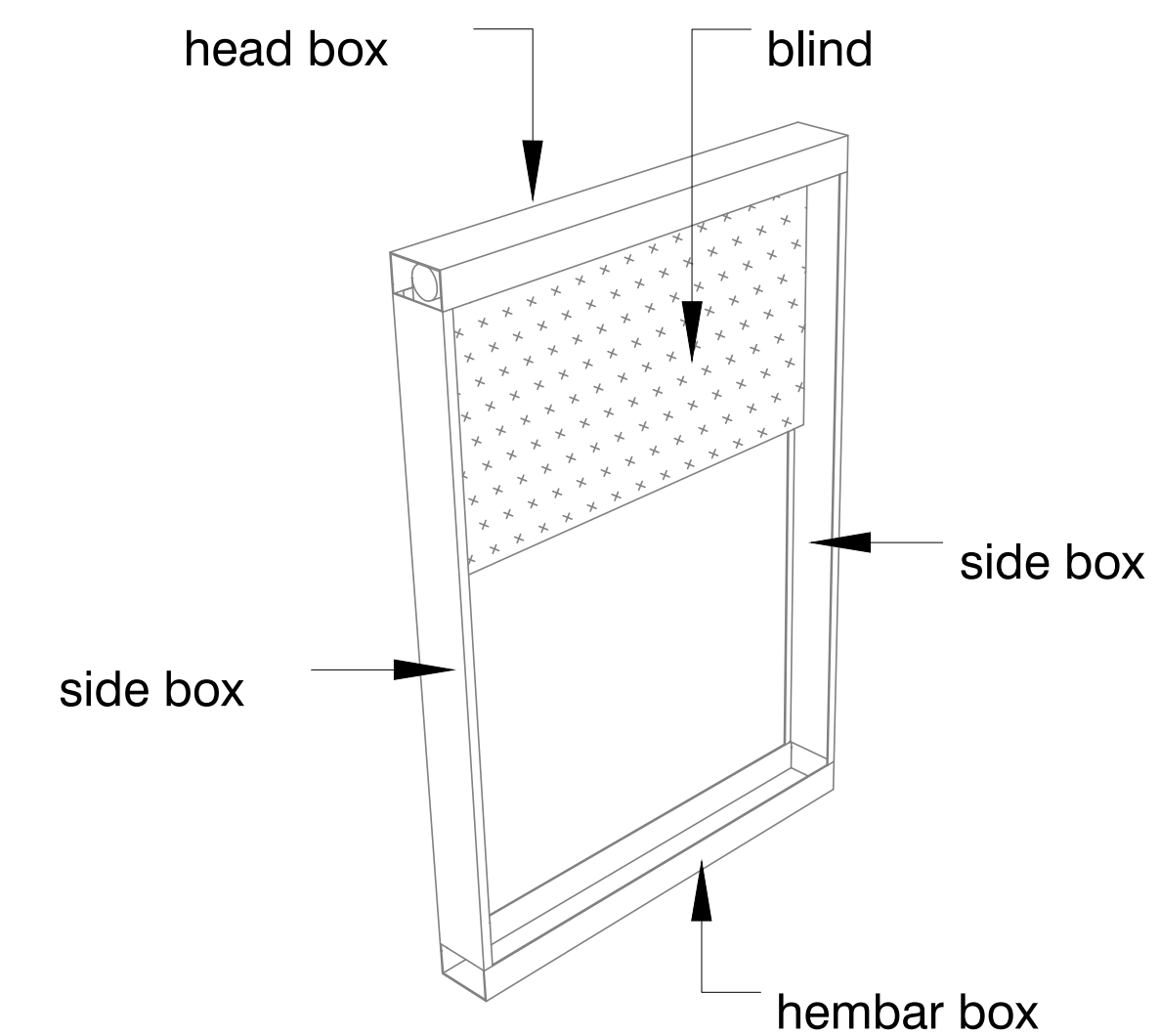
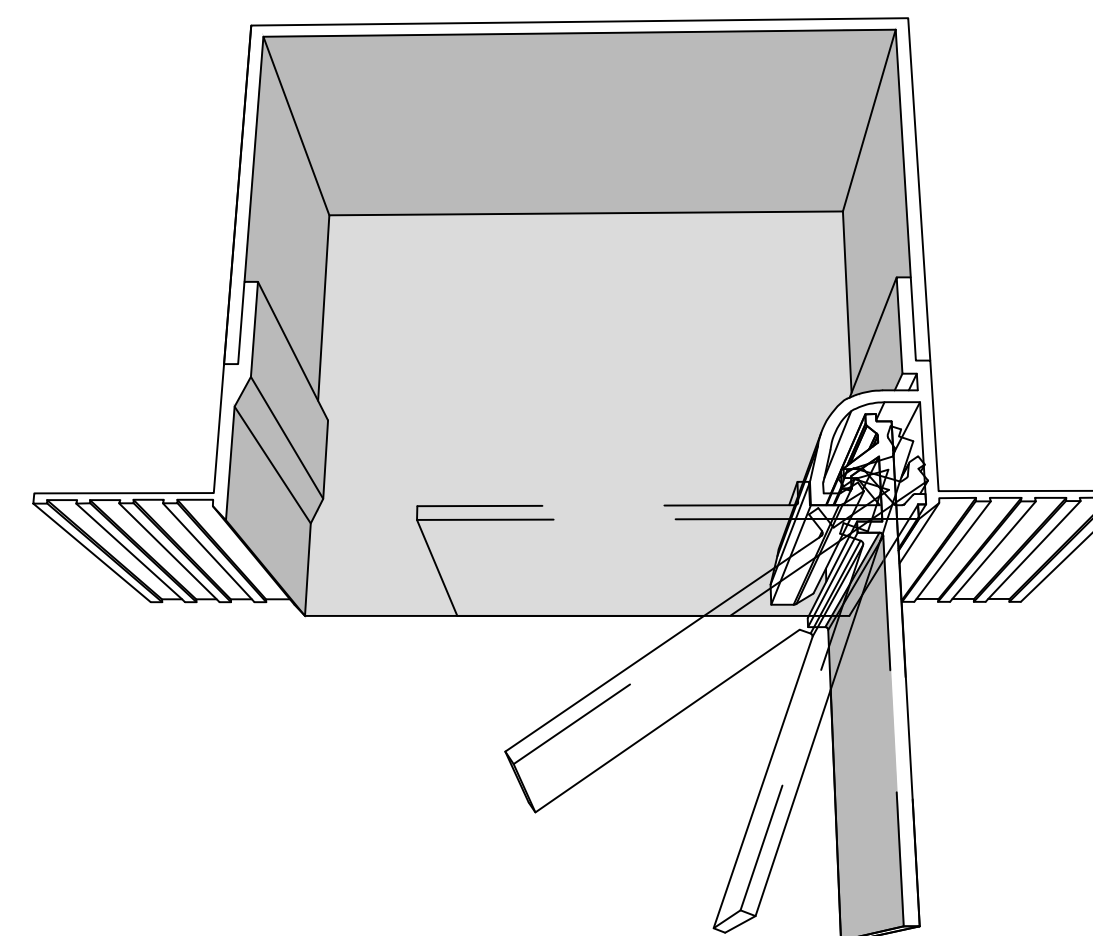


PRODUCT SERIES → **BLINDSPACE M100X100 R**

FLANGE LOCATION →

BOX FRONT SIZE →

DEPTH OF THE BOX →



# Light & Shade SOLUTIONS

BY: LIGHT AND SHADE SOLUTIONS  
 BRIAN TONOLE  
 OFFICE: 1-877-587-4233  
 EMAIL :  
 SALES@LIGHTANDSHADESOLUTIONS.NET

PRODUCT: **M 100X100 FOR LUTRON R064**

DESCRIPTION: **RECESSED EXTRUDED ALUMINUM BOXES AND COVERS DESIGNED TO CONCEAL WINDOW BLINDS.**

**MATERIAL:**  
 ANODIZED ALUMINIUM,  
 grade EN 6063 T6

**FINISHES:**  
 UNFINISHED FOR SITE PAINTING  
 PRIMED FOR SITE PAINTING  
 PRE FINISHED TO RAL COLOUR

**BLIND SIZES TO FIT INSIDE OF BOX:**

MAXIMUM ALLOWABLE BLIND SIZE MAY VARY BASED ON FABRIC AND HEM BAR SELECTION.  
 MAXIMUM BLIND AREA: 5.950M<sup>2</sup>  
 MAXIMUM BLIND WIDTH: 2476MM

**INSTALLATION:**

BOXES SHOULD BE FIXED ON BOTH SIDES. THE FINISHED PLASTER LEVEL SHOULD BE FLUSH WITH CHAMFERED EDGE. ANCHORING COLLATERAL SCREWS THROUGH BORN COAT FLANGES ARE RECOMMENDED.

**ITEM NAMES:**

M100X100

**SCALE:**

1"=1'-0"

**SHEET #:**

**M1.0**