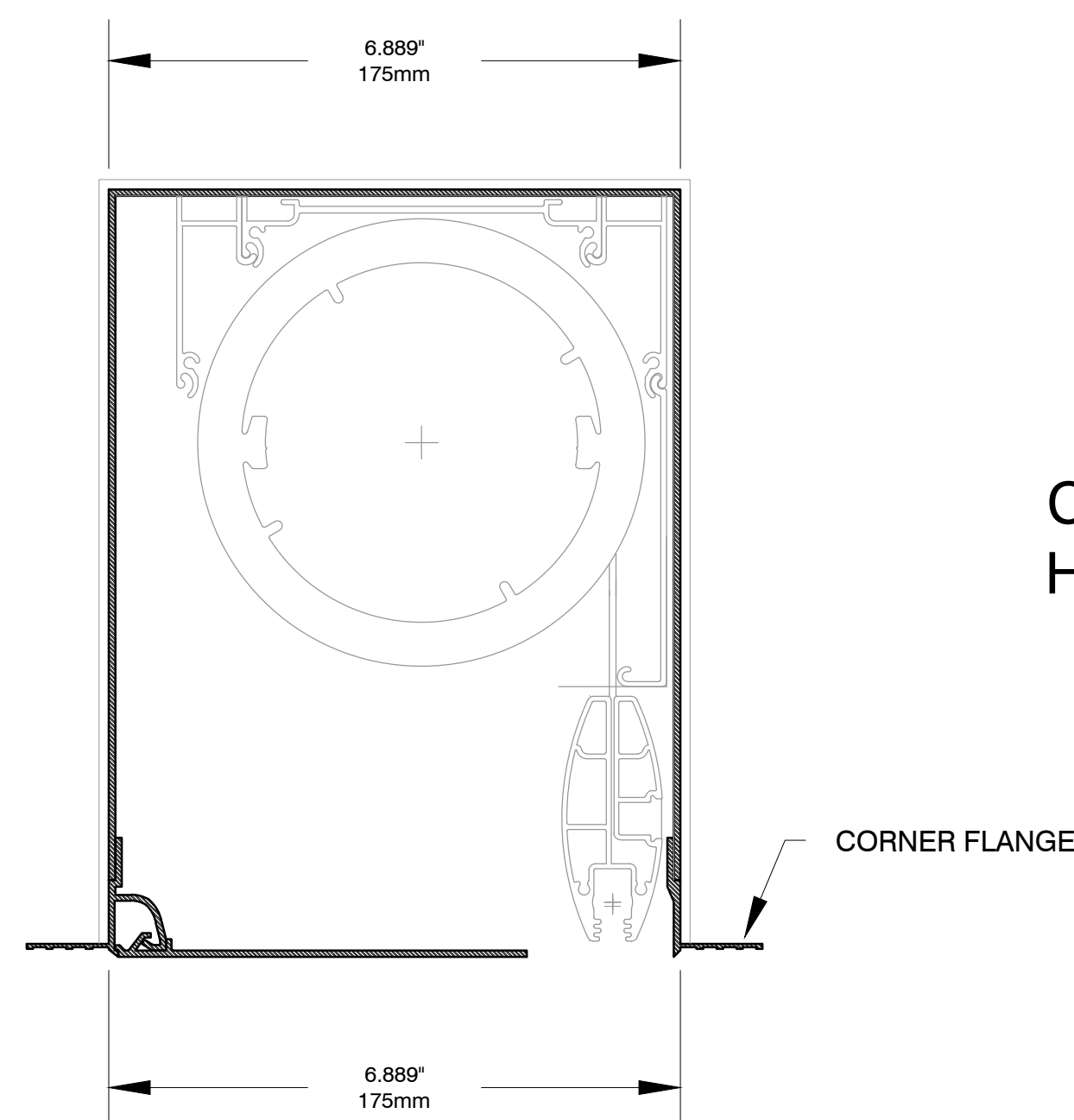


Light & Shade SOLUTIONS

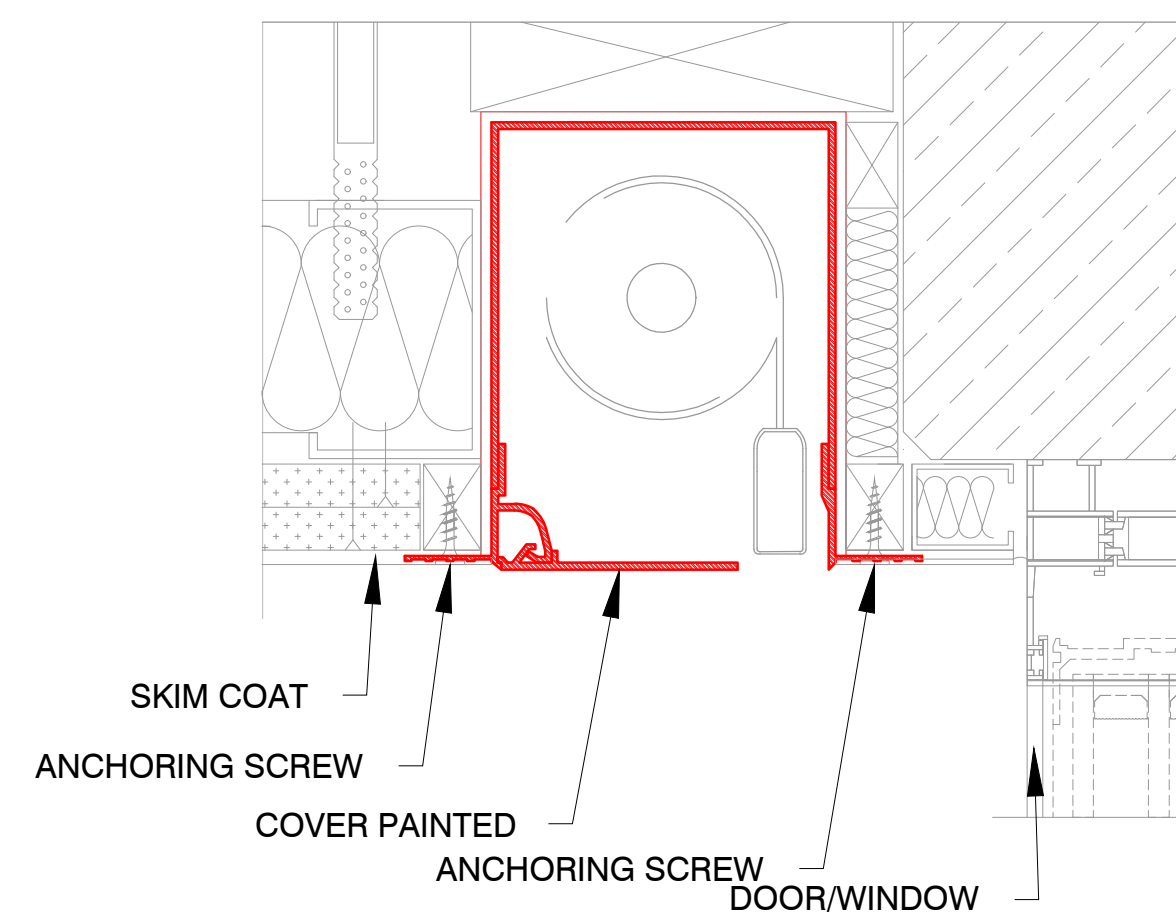
C175X235



C210X270 R
HEAD BOX

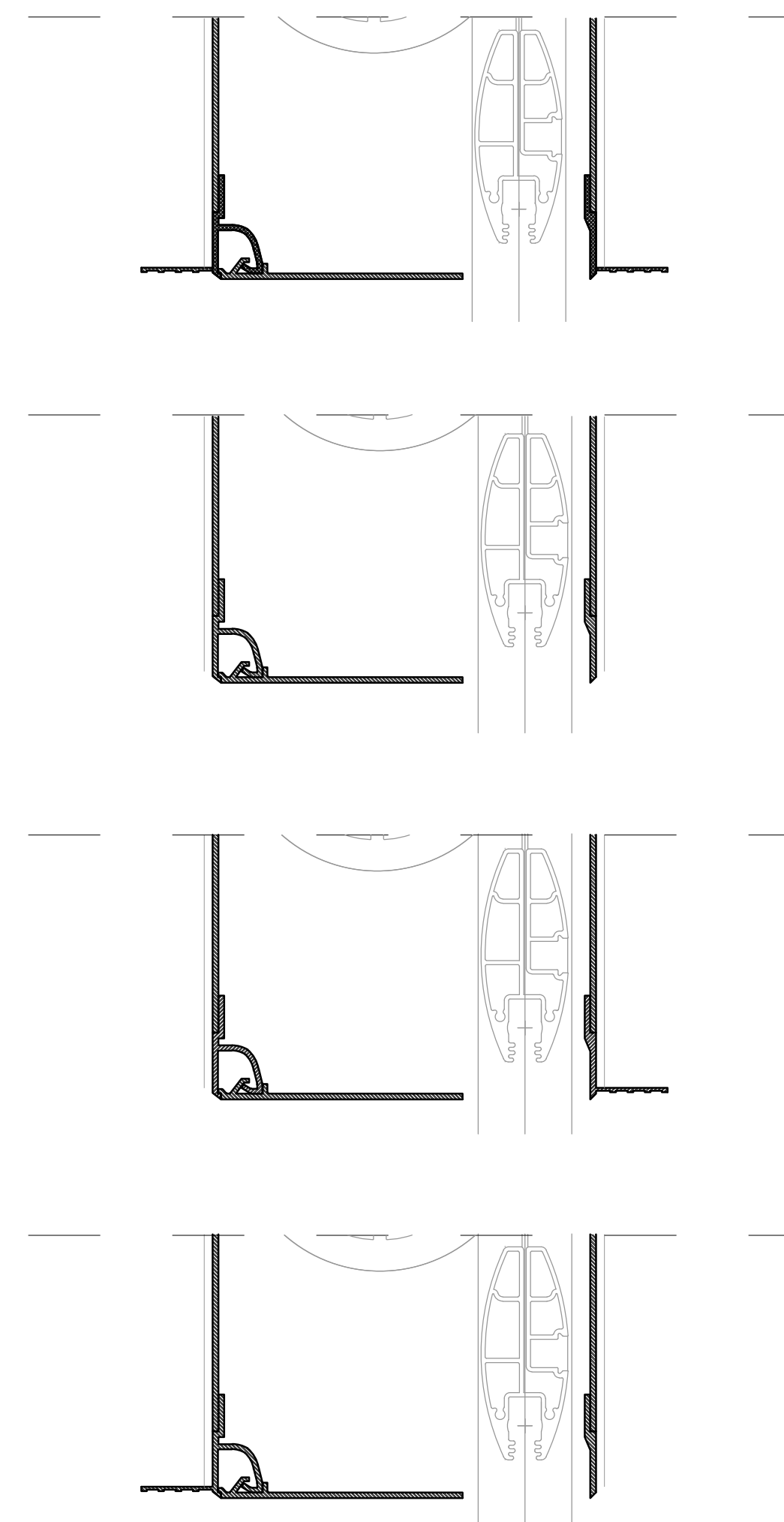
SAMPLE INSTILLATION DETAIL

(APPROX. IN SCALE, DO NOT SCALE FROM SAMPLE)



SKIM COAT FLANGES LOCATION OPTIONS

AS SHOWN ON THE C135X200

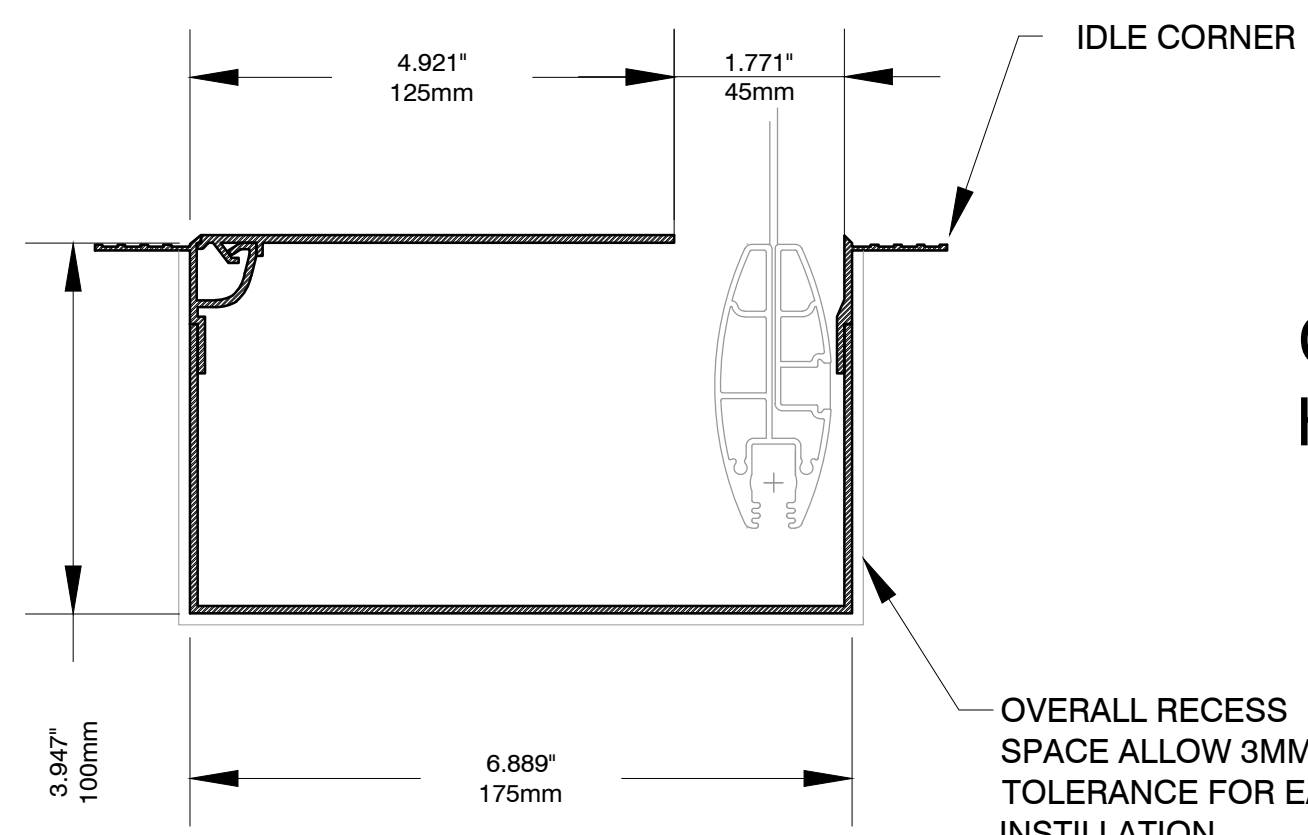


REGULAR - R

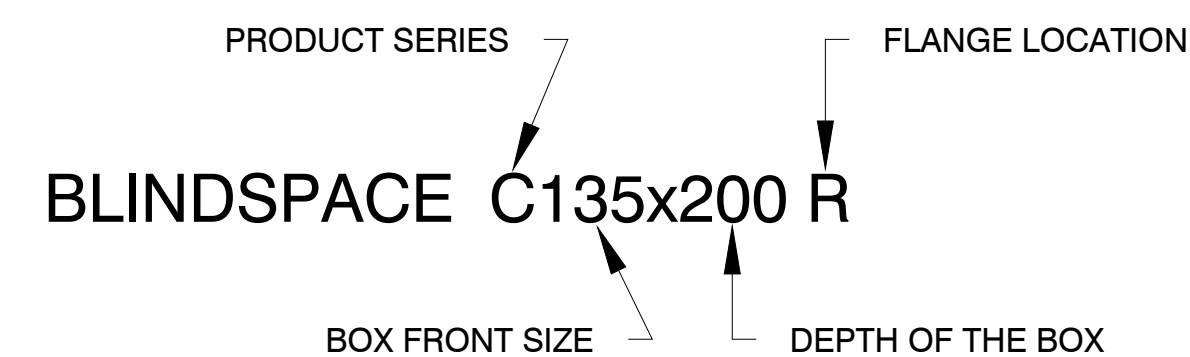
NO FLANGE - N

IDLE CORNER
FLANGE - I

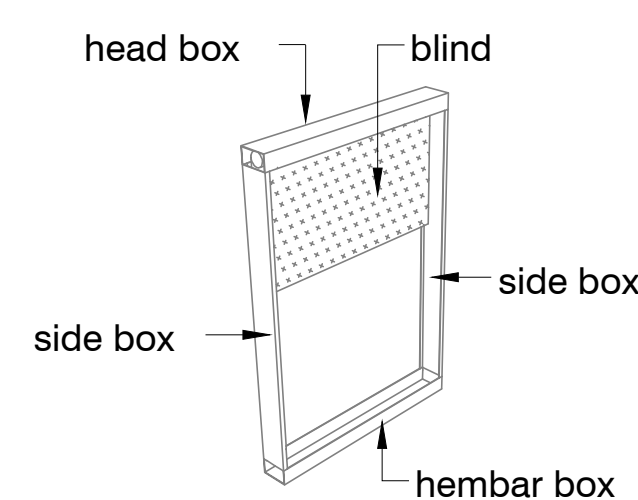
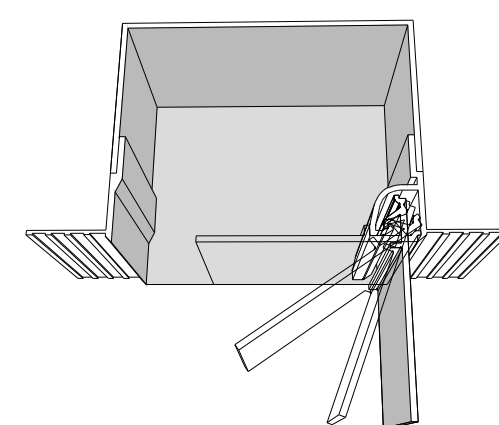
HINGE CORNER
FLANGE - H



C210X270 R
HEMBAR BOX



C210X270 R
SIDE BOX



Light & Shade SOLUTIONS

BY: LIGHT AND SHADE SOLUTIONS
BRIAN TONOLE
OFFICE: 1-877-587-4233
EMAIL: SALES@LIGHTANDSHADESOLUTIONS.NET

PRODUCT: C175X235, C175X100, C175X5
DESCRIPTION: RECESSED ALUMINIUM BOXES AND COVERS DESIGNED TO CONCEAL WINDOWS BLINDS.

MATERIAL:
ANODIZED ALUMINIUM, GRADE:
FRONT PLATE: EN 6063 T5
BACK PLATE: EN AW-1050A H14-H14

FINISHES:
UNFINISHED FOR SITE PAINTING
PRIMED FOR SITE PAINTING
PRE-FINISHED TO RAL COLOR

BLIND SIZES TO FIT INSIDE OF BOX:

SHY 200 180 240V WITH 75MM HEM BAR
BLIND SIZE DEPENDING ON FABRIC AND HEMBAR
SELECTION.
OPENING WIDTH MAX: 8500MM
OPENING HEIGHT MAX: 9700MM
MAX AREA: 50 DM²

INSTILLATION:

BOXES SHOULD BE FIXED ON BOTH SIDES. THE FINISHED PLASTER LEVEL SHOULD BE FLUSH WITH CHAMFERED EDGE. ANCHORING COUNTERSINK SCREWS THROUGH SKIM COAT FLANGES ARE RECOMMENDED.

ITEM NAMES:

C135X200, C135X50, C135X100

6"=1'-0

CS0.3