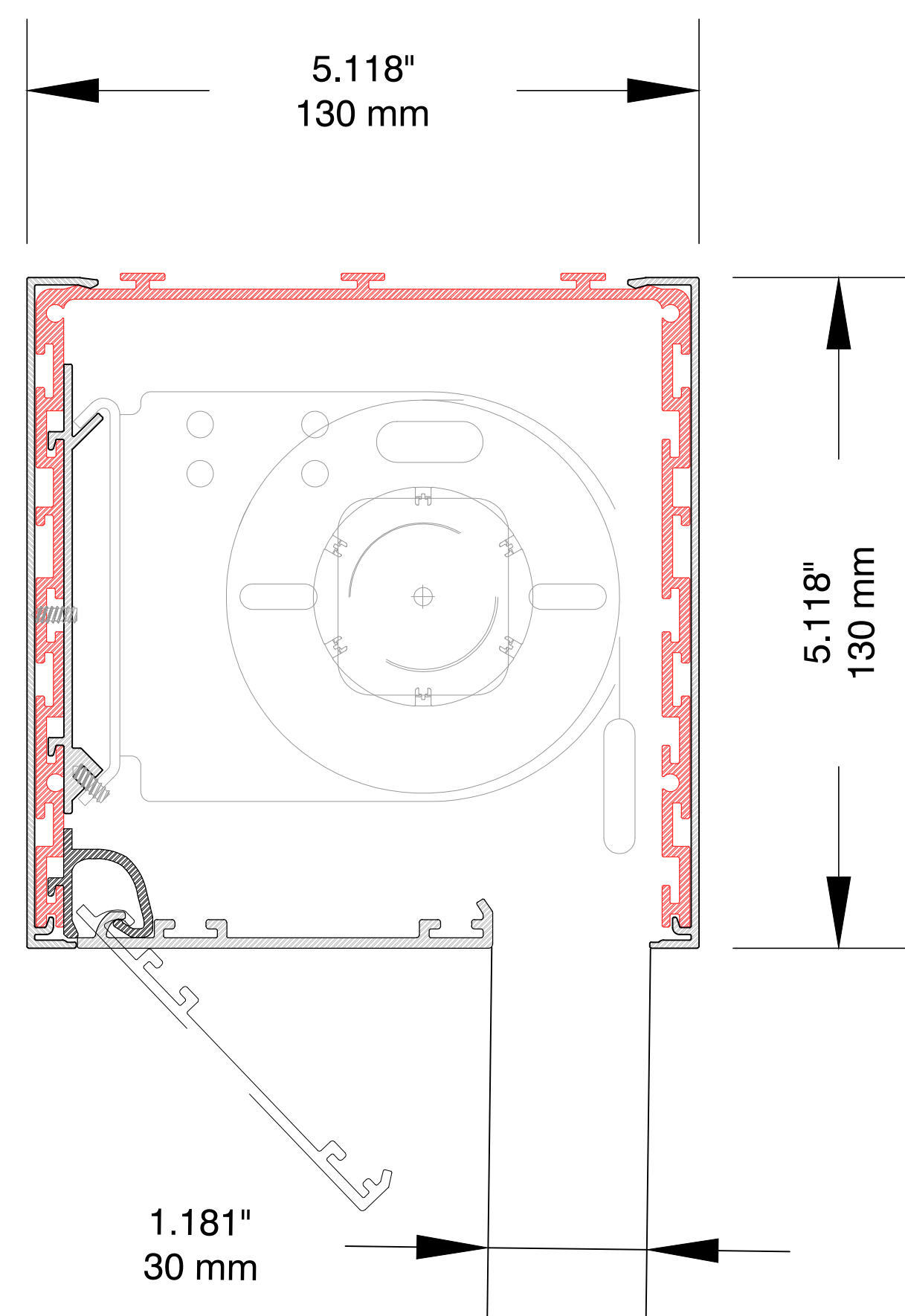


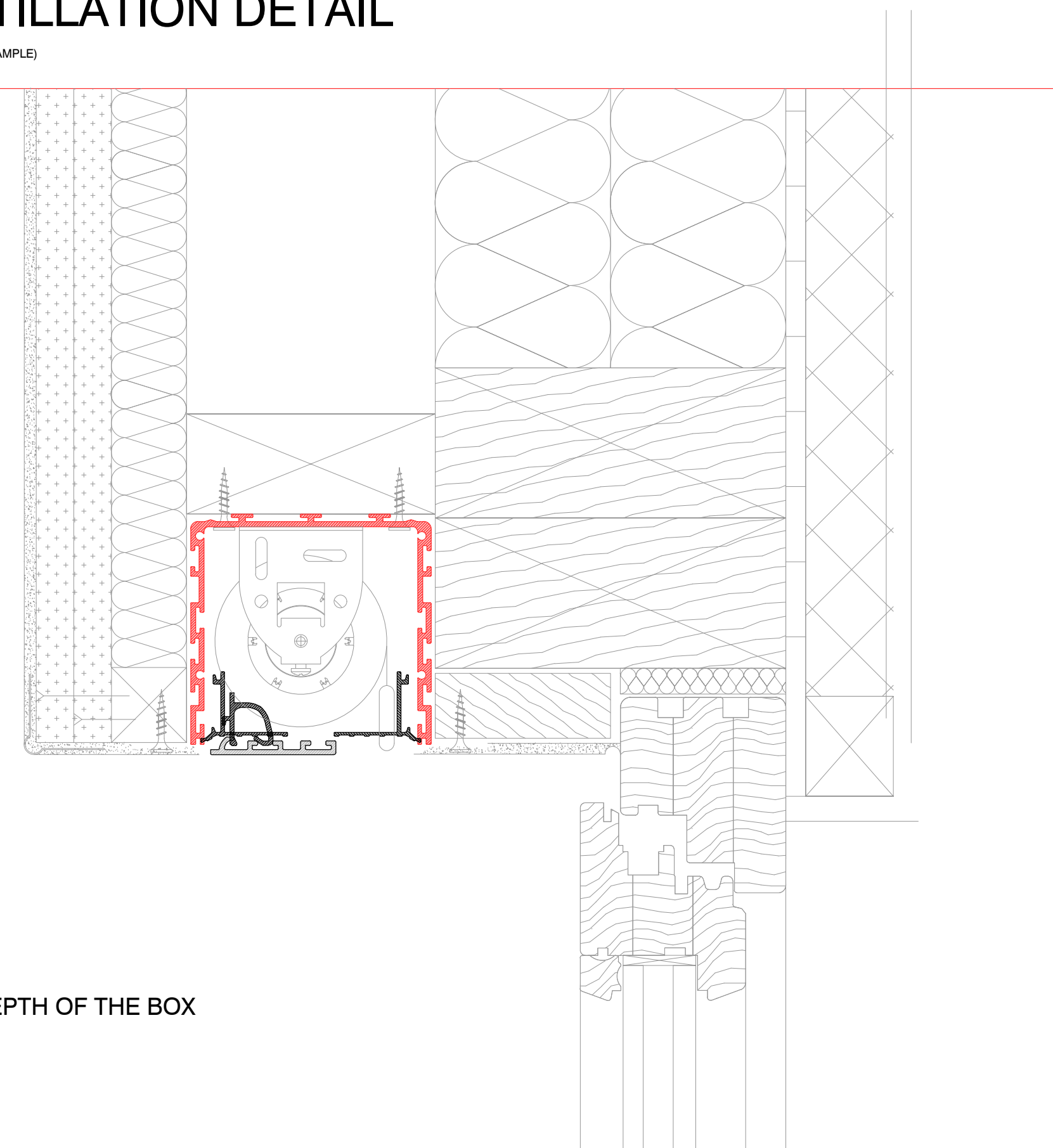
Light & Shade SOLUTIONS

M130x130



SAMPLE INSTILLATION DETAIL

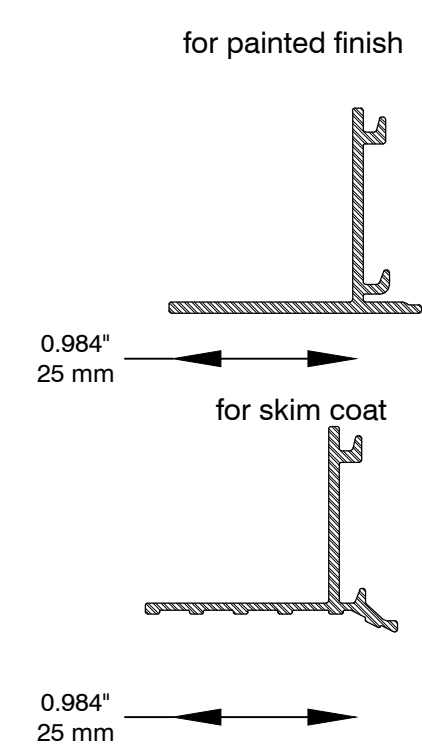
(APPROX. IN SCALE 1/8"=1', DO NOT SCALE FROM SAMPLE)



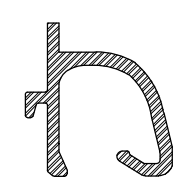
PRODUCT SERIES
BLINDSPACE M130X130
BOX FRONT SIZE DEPTH OF THE BOX

MODULAR COMPONENTS

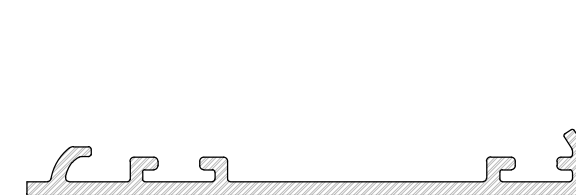
Corner Flanges



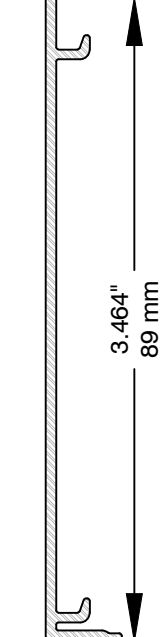
Corner Hinge



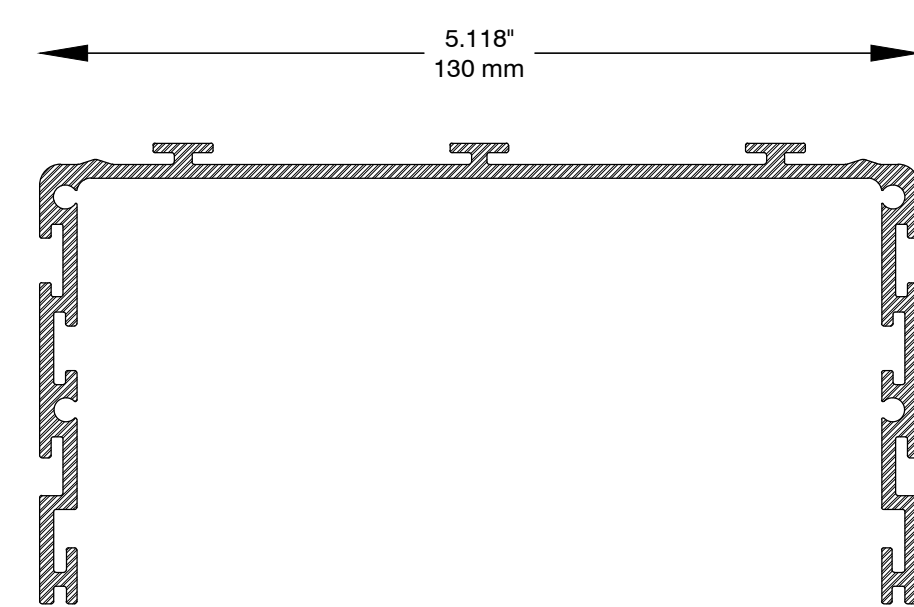
Removable Cover



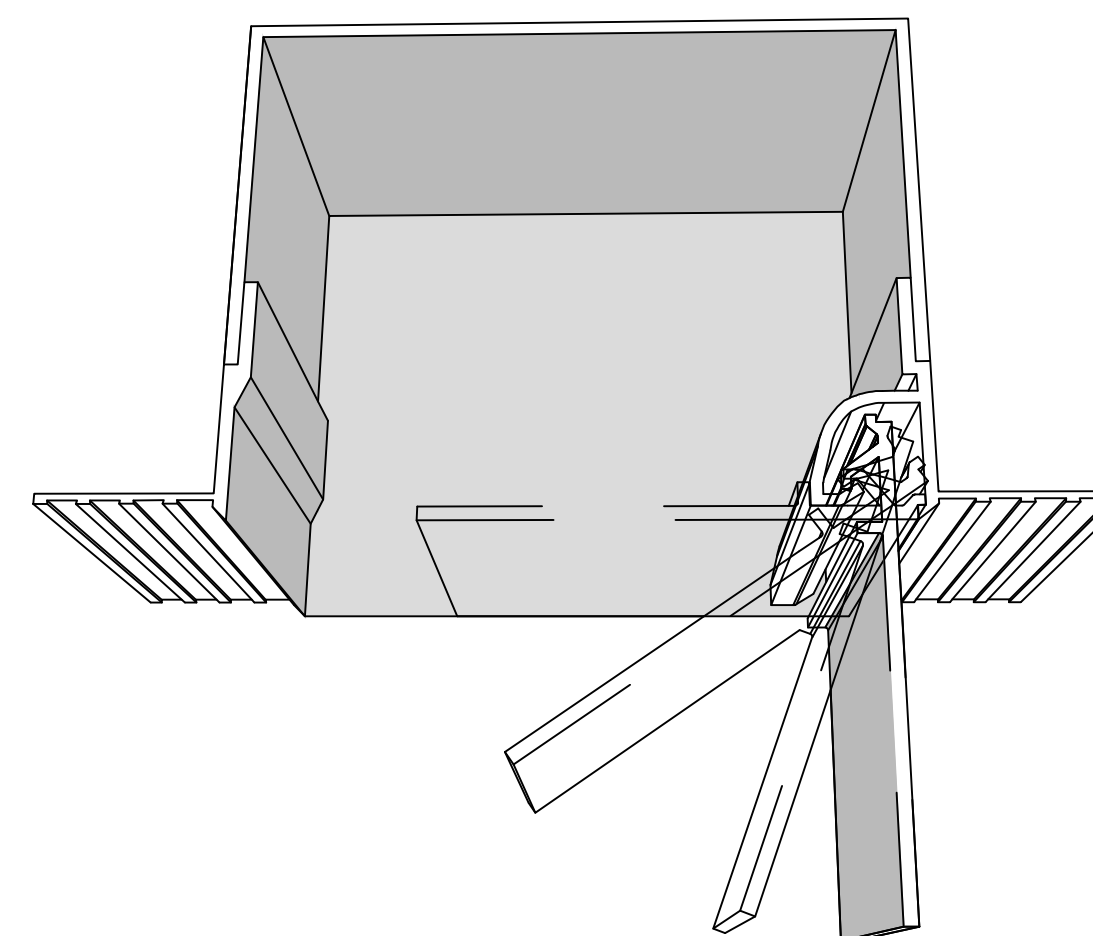
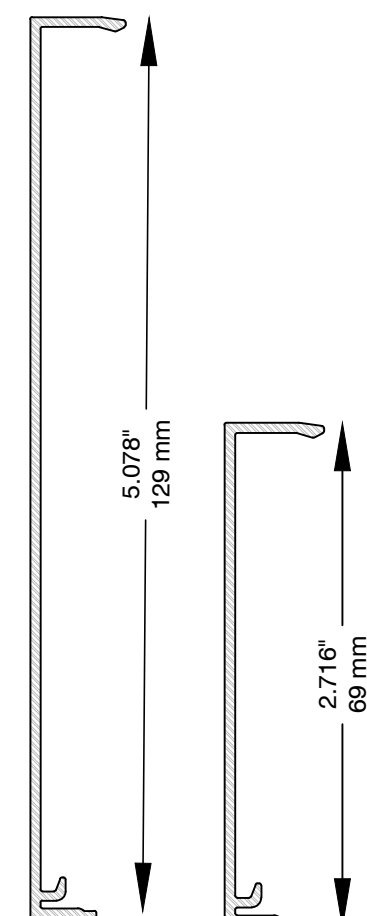
Wall Bracket
for wall mounting



M130x130 Side Box



Side Covers
for fully exposed boxes



head box

blind

side box

side box

hembar box

Light & Shade SOLUTIONS

BY: LIGHT AND SHADE SOLUTIONS
BRIAN TONOLE
OFFICE: 1-877-587-4233
EMAIL: SALES@LIGHTANDSHADESOLUTIONS.NET

PRODUCT: **M 130X130**

DESCRIPTION: **RECESSED EXTRUDED ALUMINUM BOXES AND COVERS DESIGNED TO CONCEAL WINDOW BLINDS.**

MATERIAL: ANODIZED ALUMINUM, grade EN 6063 T6

FINISHES: UNFINISHED FOR SITE PAINTING, PRIMED FOR SITE PAINTING, PRE-FINISHED TO RAL COLOUR

INSTALLATION: BOXES SHOULD BE FIXED ON BOTH SIDES. THE FINISHED PLASTER LEVEL SHOULD BE FLUSH WITH CHAMFERED EDGE. ANCHORING SCREWS SHOULD BE USED THROUGH SKIM COAT FLANGES. ANCHORING SCREWS THROUGH SKIM COAT FLANGES ARE RECOMMENDED. GRUB SCREWS ARE USED TO LOCK MODULAR PROFILES WHEN NEEDED.

ITEM NAMES: M130X130

SCALE: 1"=1'-0"

SHEET #: **M3.0**