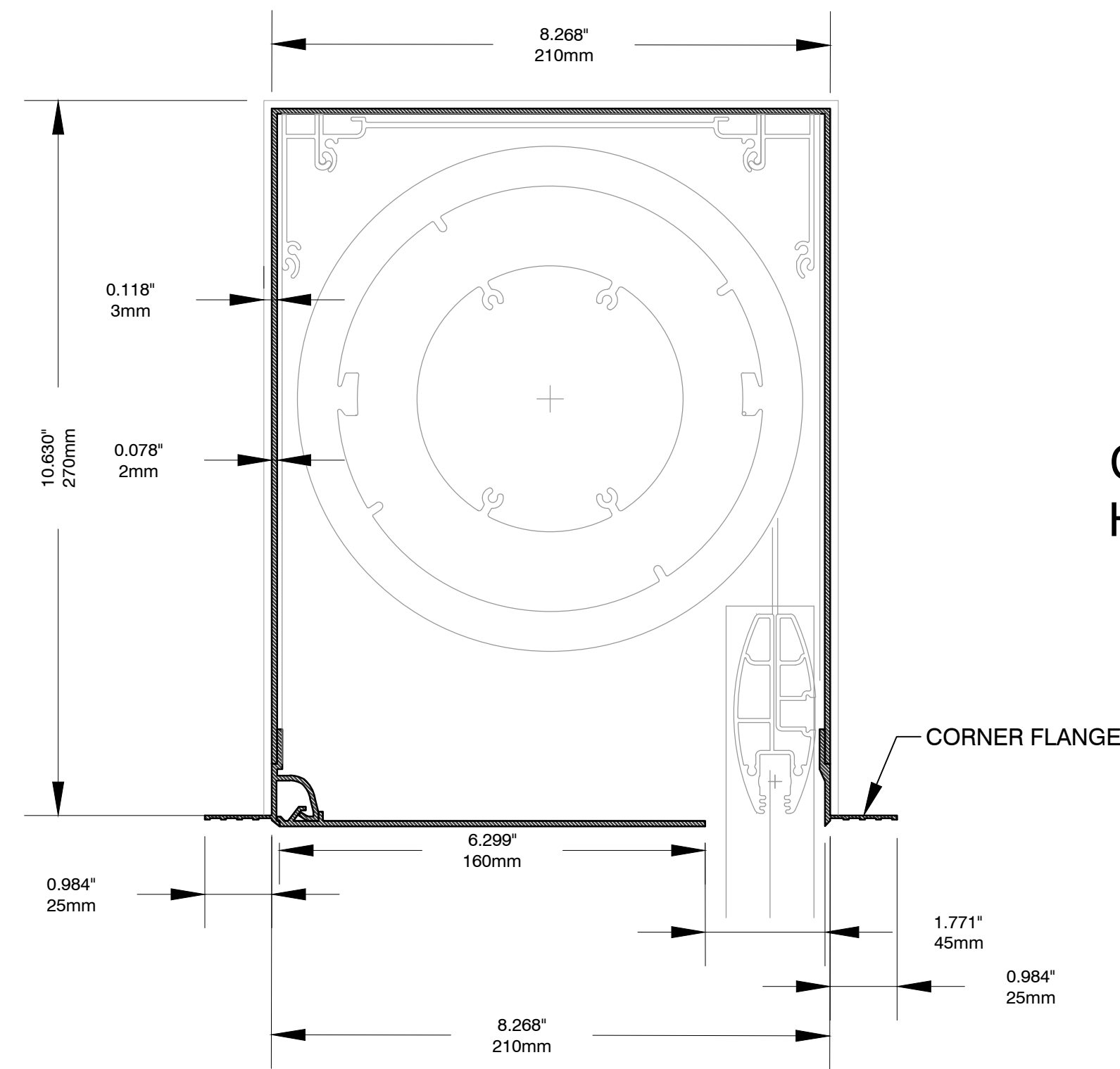


Light & Shade SOLUTIONS

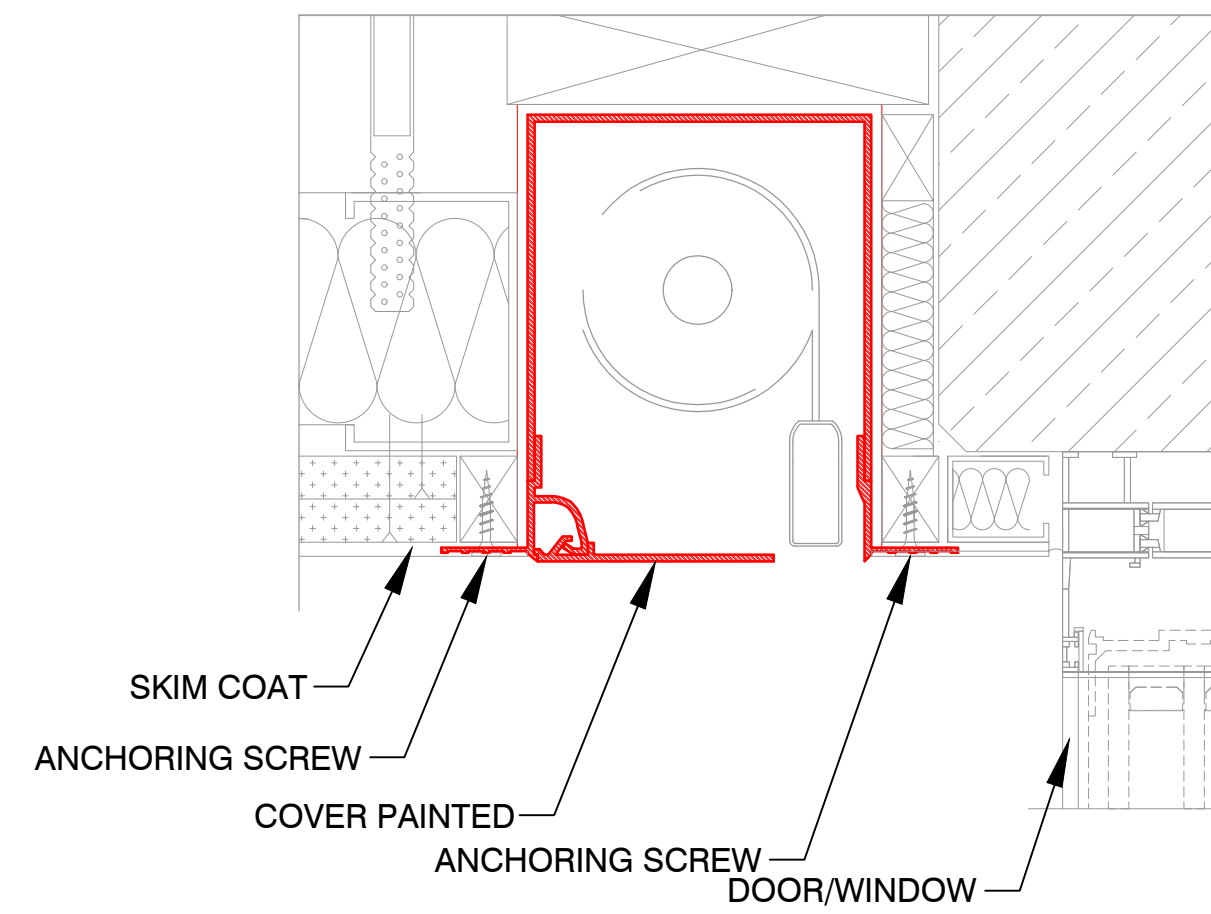
C210x270



C210X270 R HEAD BOX

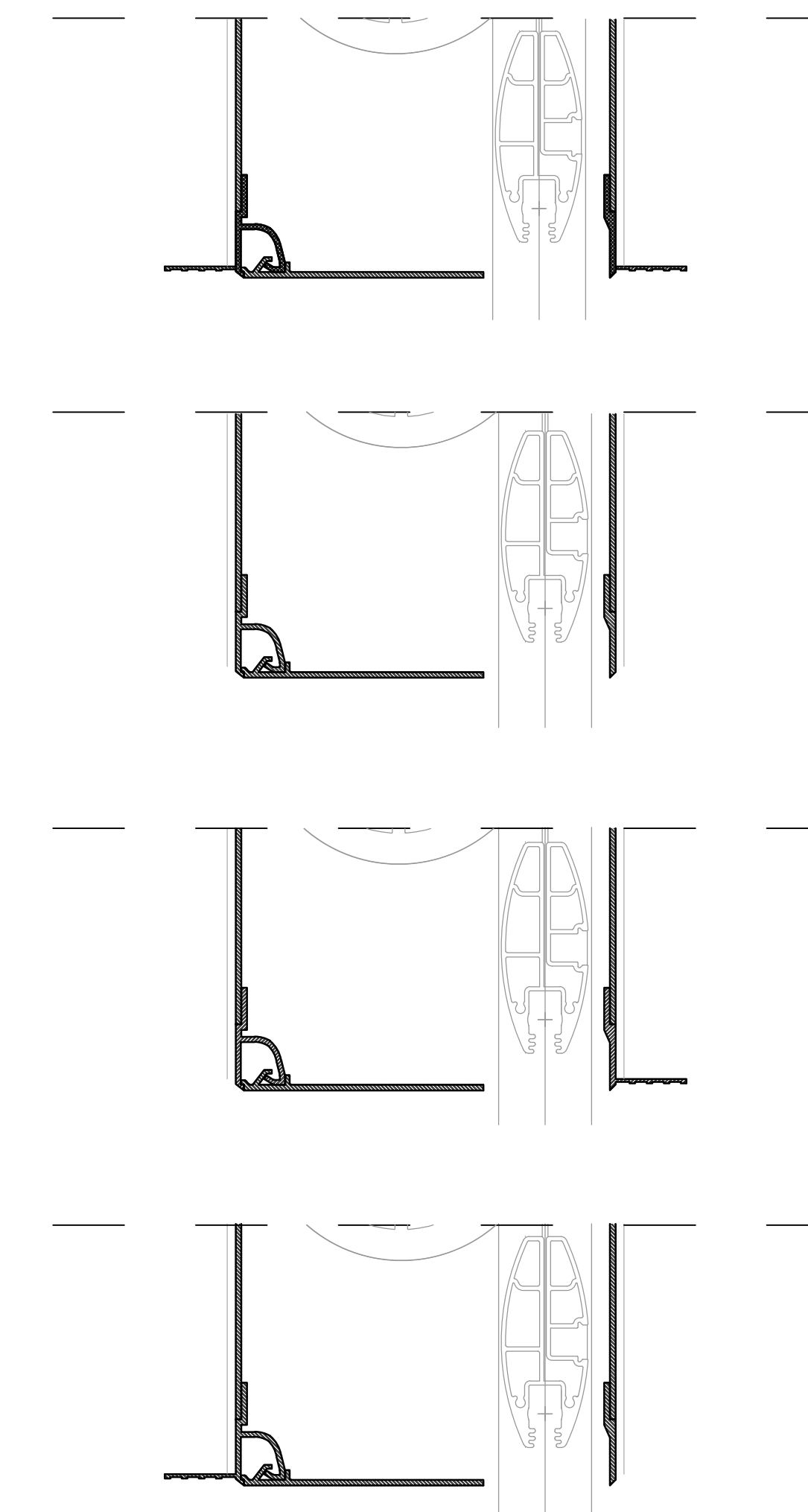
SAMPLE INSTILLATION DETAIL

(APPROX. IN SCALE, DO NOT SCALE FROM SAMPLE)



SKIM COAT FLANGES LOCATION OPTIONS

EXAMPLE SHOWN ON THE C135X200

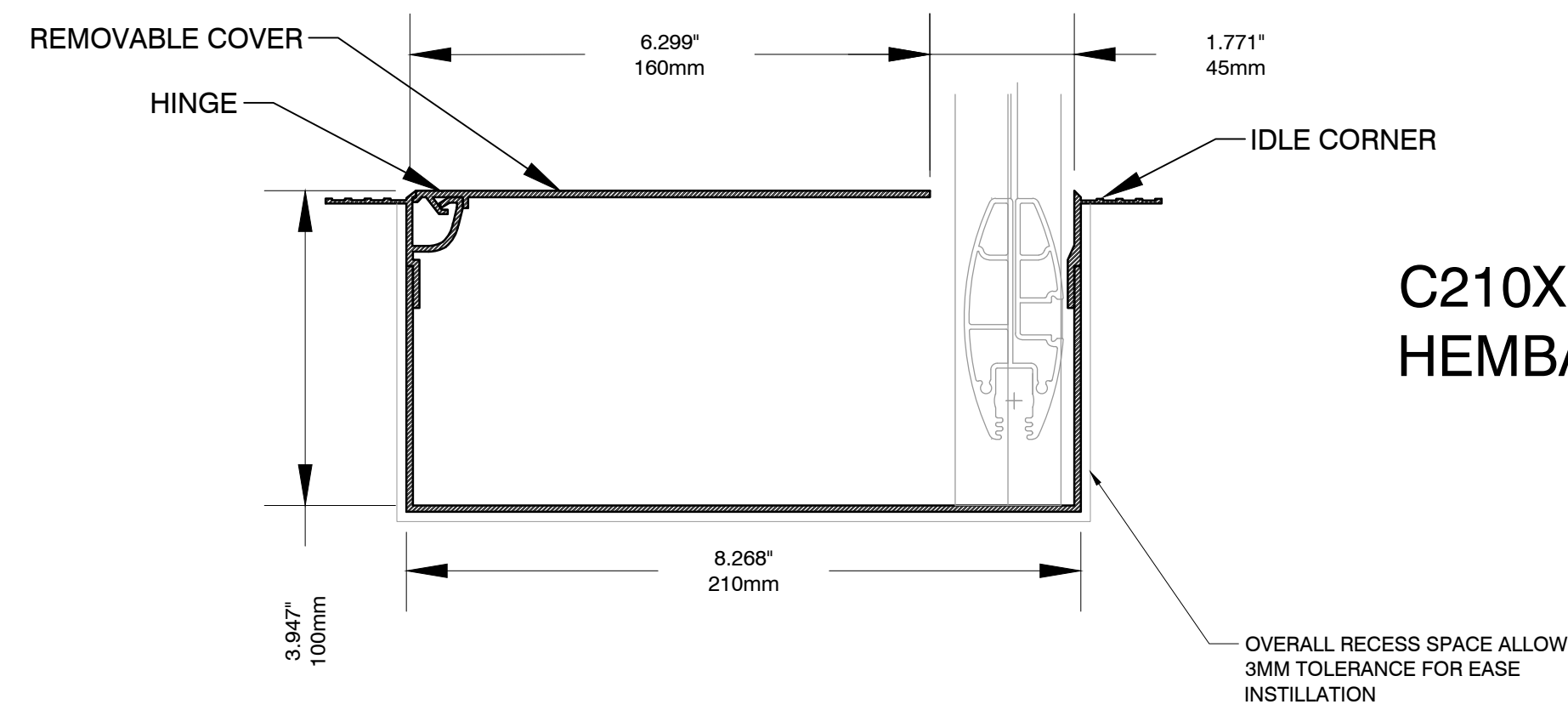


REGULAR - R

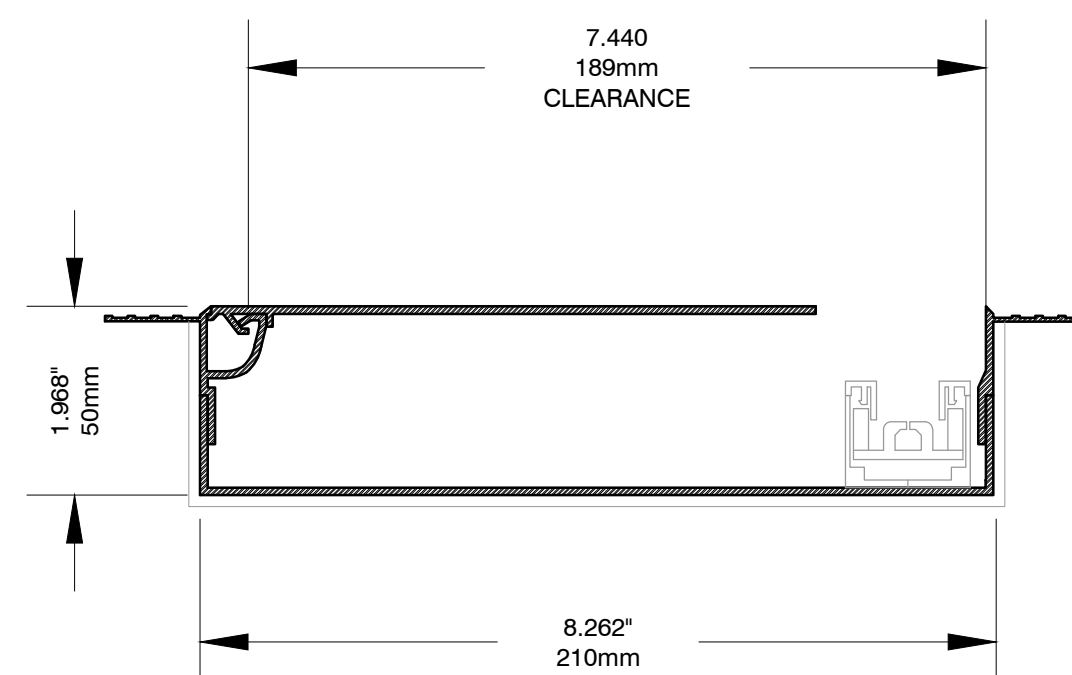
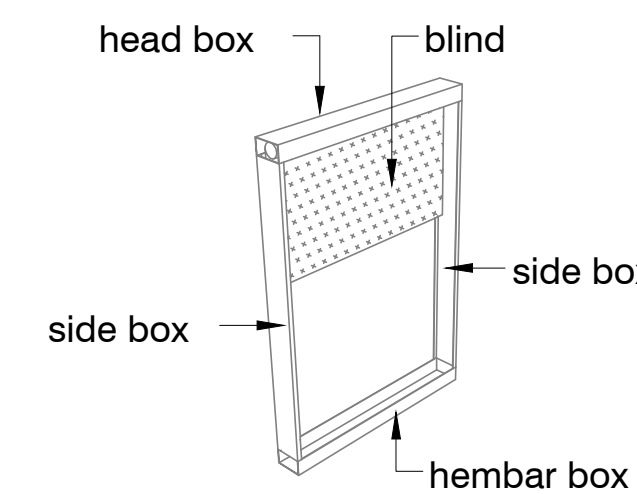
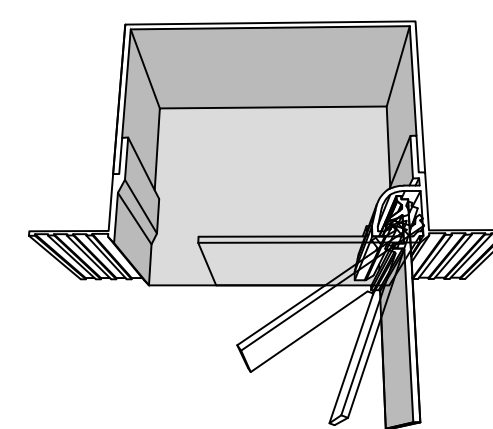
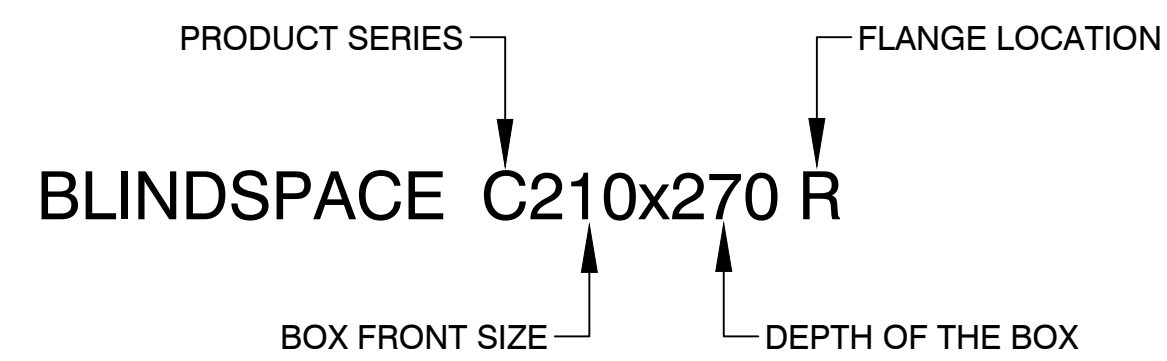
NO FLANGE - N

IDLE CORNER FLANGE - I

HINGE CORNER FLANGE - H



C210X270 R HEMBAR BOX



C210X270 R SIDE BOX

Light & Shade SOLUTIONS

BY: LIGHT AND SHADE SOLUTIONS
BRIAN TONOLE
OFFICE: 1-877-587-4233
EMAIL: SALES@LIGHTANDSHADESOLUTIONS.NET

PRODUCT: C 210X270

DESCRIPTION: RECESSED ALUMINIUM BOXES AND COVERS DESIGNED TO CONCEAL WINDOWS BLINDS.

MATERIAL: ANODIZED ALUMINIUM, GRADE: FRONT PLATE: EN 6063 T6 BACK PLATE: EN AW 1050A H14/H24

FINISHES: PRE-FINISHED TO RAL COLOUR/UNFINISHED FOR SITE PAINTING PRIMED FOR SITE PAINTING PRE-FINISHED TO RAL COLOUR

BLIND SIZES TO FIT INSIDE OF BOX: SHY 200/180 240V WITH 75MM HEM BAR EXACT SIZE DEPENDING ON FABRIC AND HEMBAR SELECTION OPENING WIDTH MAX: 6500MM OPENING HEIGHT MAX: 9700MM MAX AREA: 50.0M²

INSTALLATION: BOXES SHOULD BE FIXED ON BOTH SIDES. THE FINISHED PLASTER LEVEL SHOULD BE FLUSH WITH CHAMFERED EDGE. ANCHORING QUANTERS/INB SCREWS THROUGH SKIM COAT FLANGES ARE RECOMMENDED.

ITEM NAMES: C 210X270 & C 210X100 & C 210X50

SCALE: 6"=1'-0"

SHEET #: CS0.2