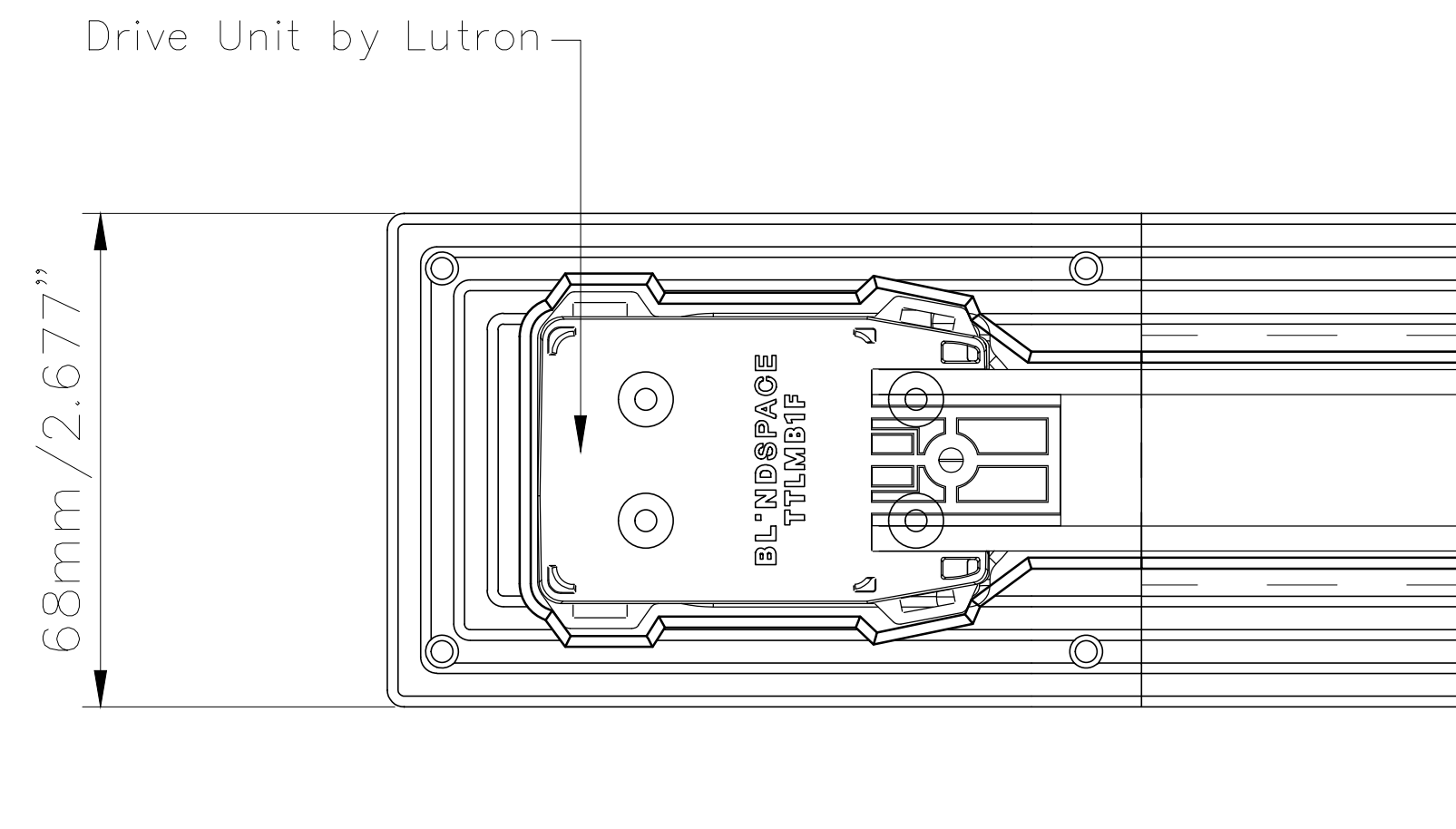
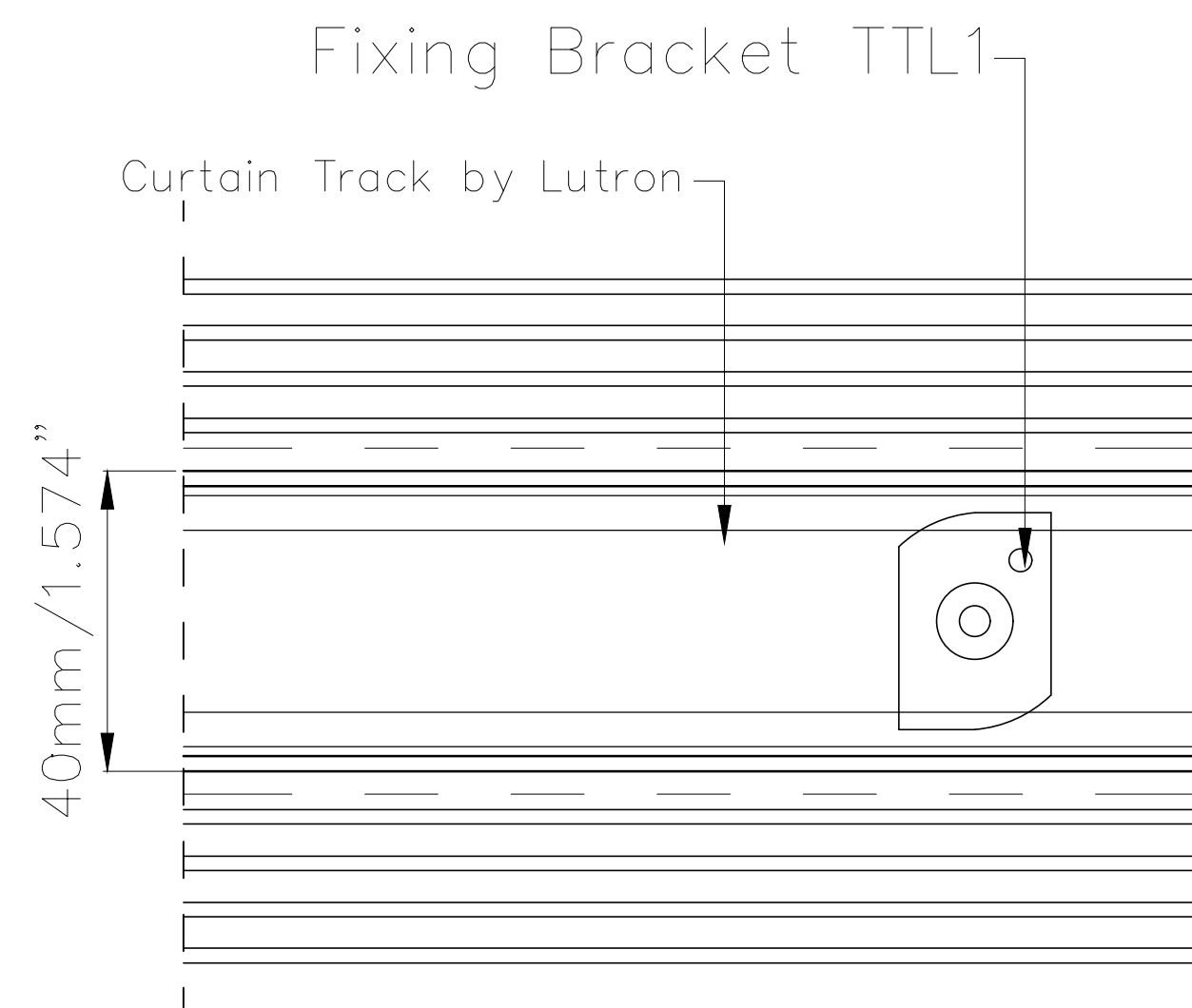


TrackTrim®
for LUTRON Sivoia Curtain Track

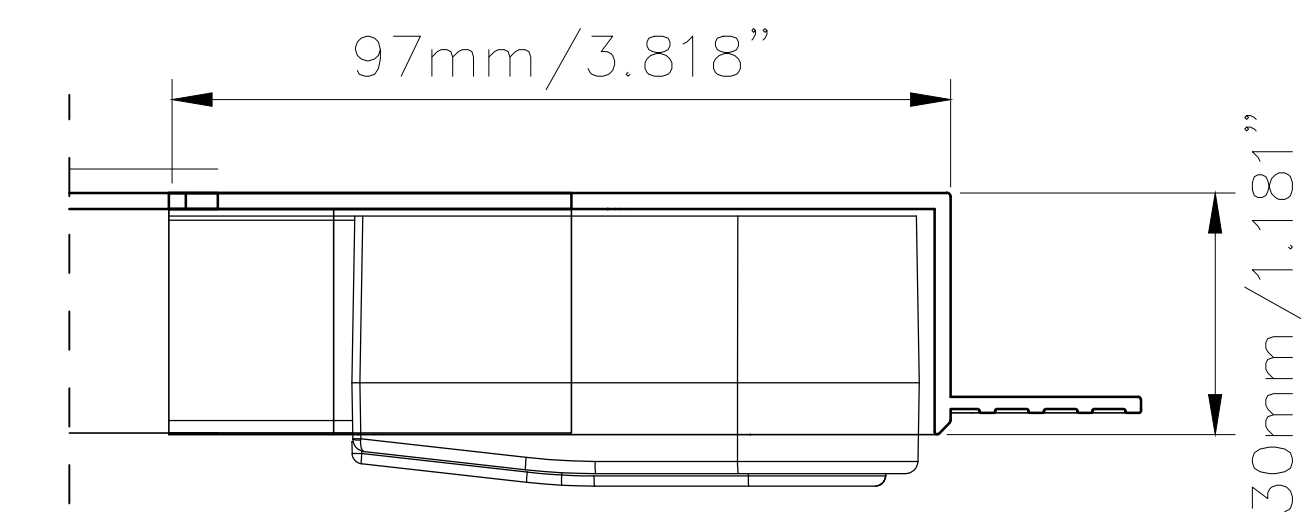
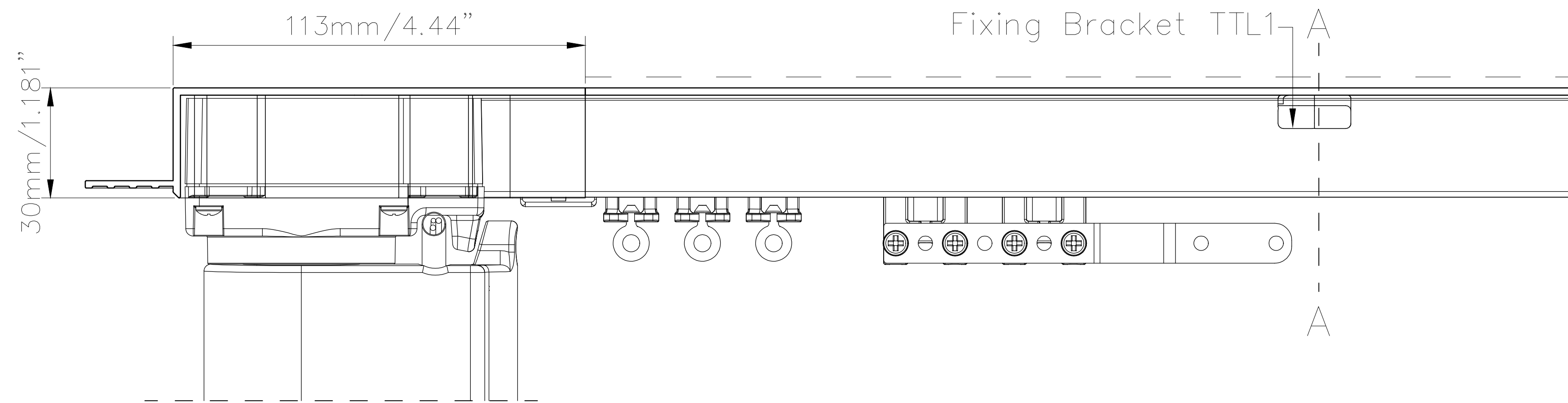
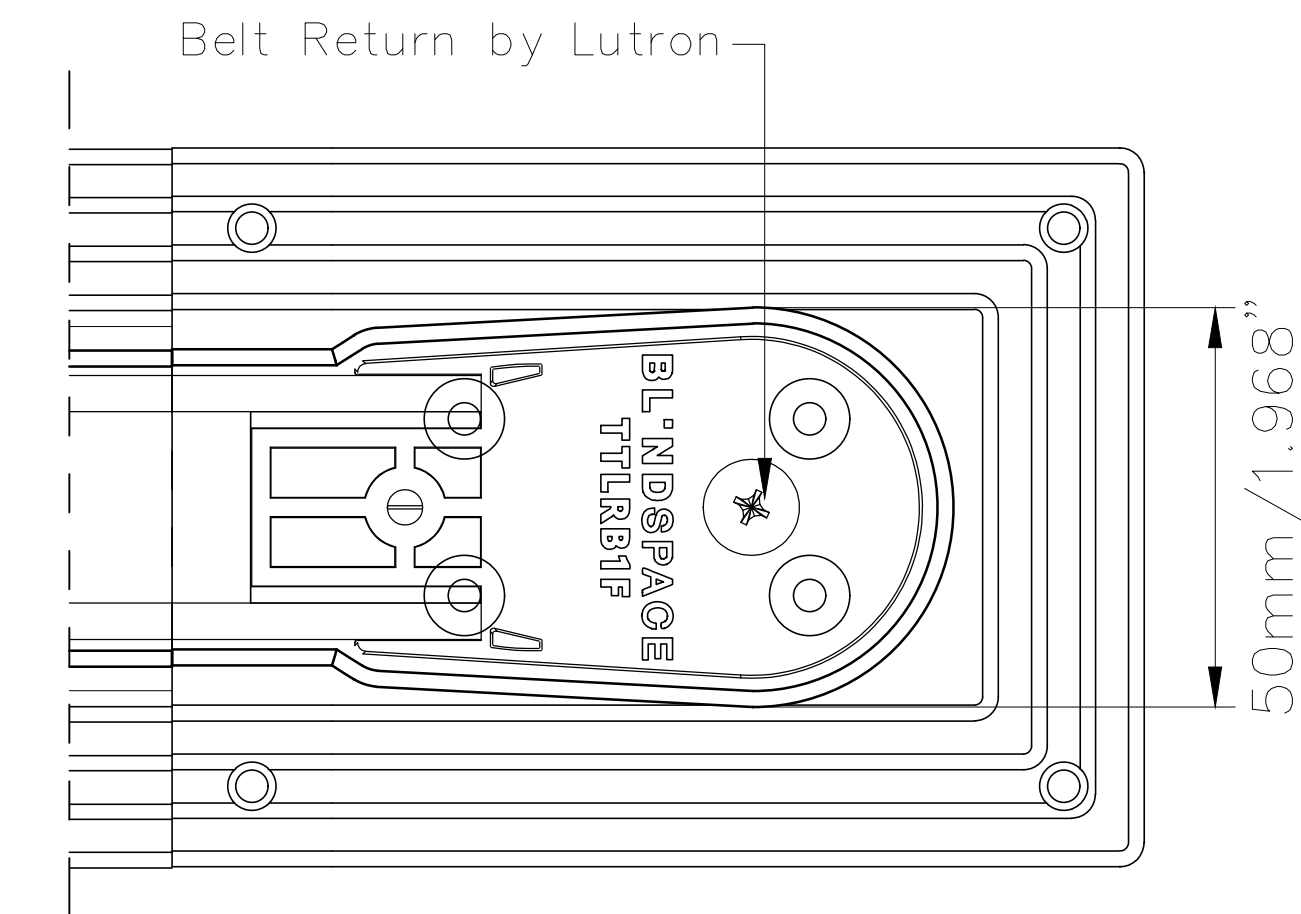
MOTOR BOX TTLMF



TRACK PROFILE TT1F/TT2F

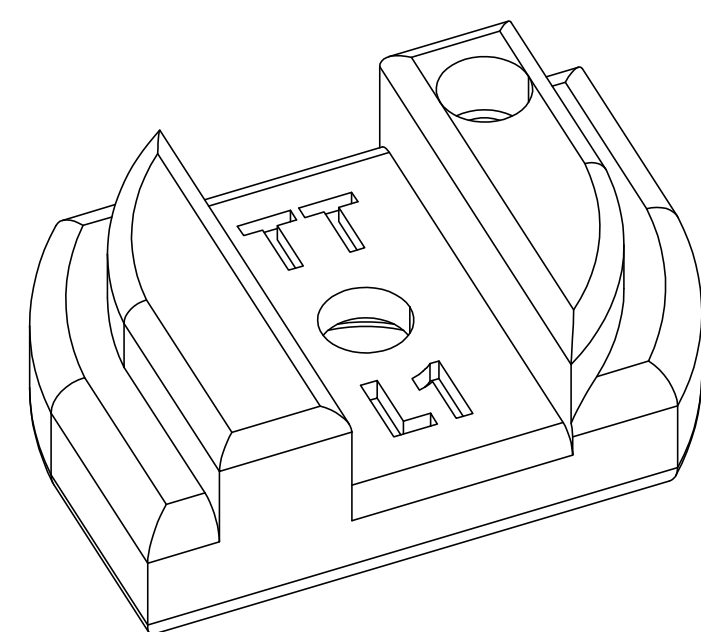


RETURN BOX TTMF



FIXING BRACKET

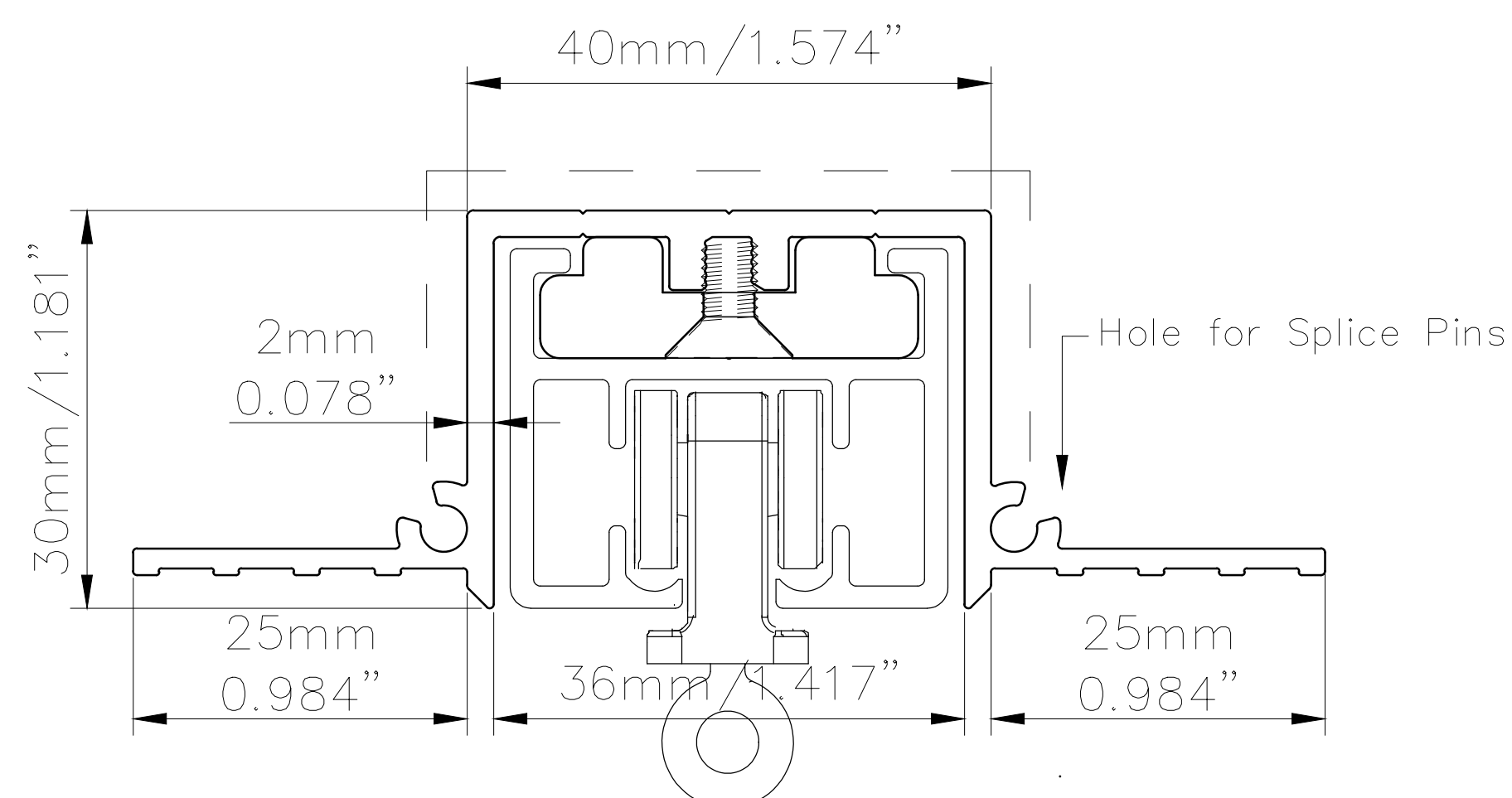
TTL1 - Fixing Bracket



Fixing Bracket for drapery track can be used with both types TT1F & TT2F of TrackTrim profiles.

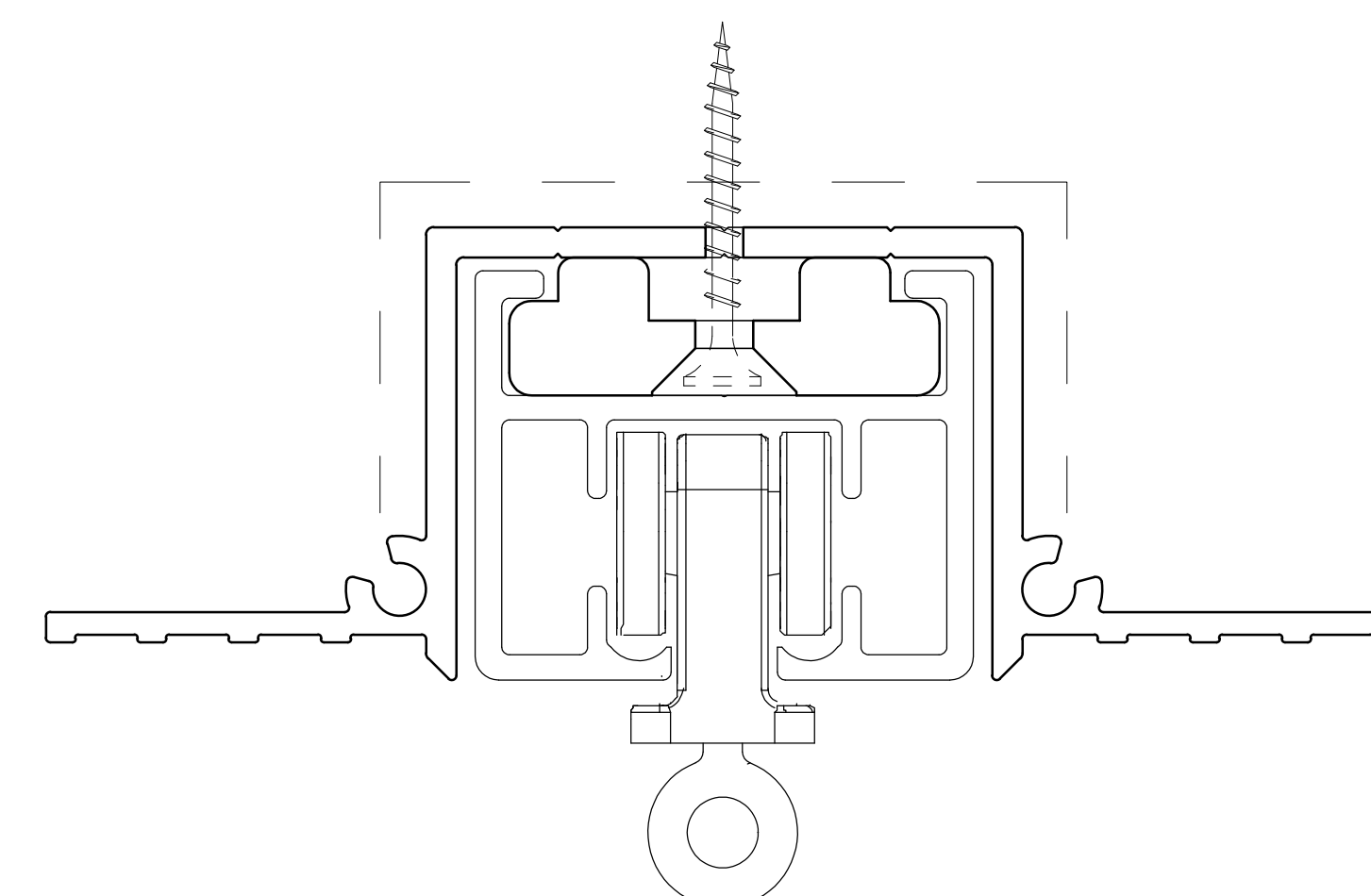
SECTION A-A TT1F PROFILE

TT1F - Track with Screw Channel, possible Screw-Through Fixing



SECTION A-A TT2F PROFILE (OPTIONAL)

TT2F - Track for Screw-Through Fixing



Light & Shade
SOLUTIONS

BY: LIGHT AND SHADE SOLUTIONS
LIGHTANDSHADESOLUTIONS.NET
BRIAN TONOLE
OFFICE: 1-877-587-4233
EMAIL: SALES@LIGHTANDSHADESOLUTIONS.NET

PRODUCT: **TRACKTRIM FOR LUTRON SIVOIA**

DESCRIPTION: **RECESSED PROFILES TO HOUSE CURTAIN TRACKS.**

MATERIAL:
TRACK EN 6063 T6,
END SET PLA THERMOPLASTIC POLYESTER

FINISHES:
WHITE TO BE PLASTERED IN AND DECORATED AT SITE TO MATCH CEILING

TRACK LENGTH:
2000MM
CUT TO SIZE FOR SHORTER LENGTHS,
SPliced TOGETHER FOR LONGER LENGTHS.

INSTALLATION:
TRACKS TO BE FIxed WITH COUNTERSINK SCREWS EVERY 200MM THROUGH BACK (AND BOTH FLANGES WHEN AVAILABLE) INTO APPROPRIATE BACKING. SCRM TAPE TO BE USED ON FLANGES. FINISHED PLASTER LEVEL TO BE FLUSH WITH CHAMFERED EDGE. ALLOW 3MM RECESS SPACE FOR EASE OF INSTALLATION. SHOWN IN DASH LINE AROUND TRACKS.

ITEM NAMES:
BLINDSPACE FOR LUTRON SIVOIA CURTAIN TRACK
TRACKS: TT1F/TT2F
END-SETS: TTMF/TTMF
FIXING BRACKET: TTL1
CURVE SECTIONS: T190M
EXAMPLE: TT1F WITH TTMF & TT1F

SHEET #: **T1.0**