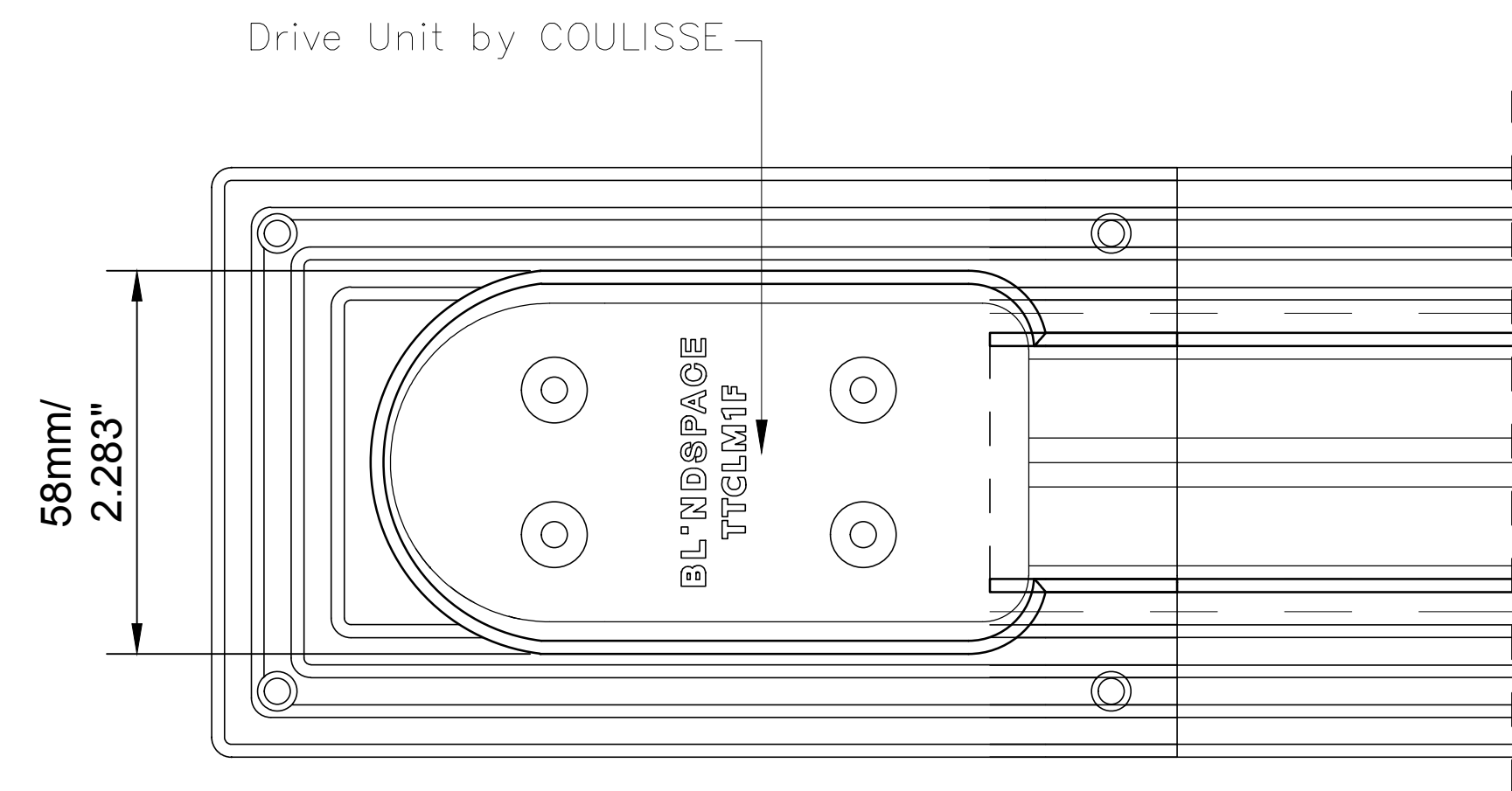
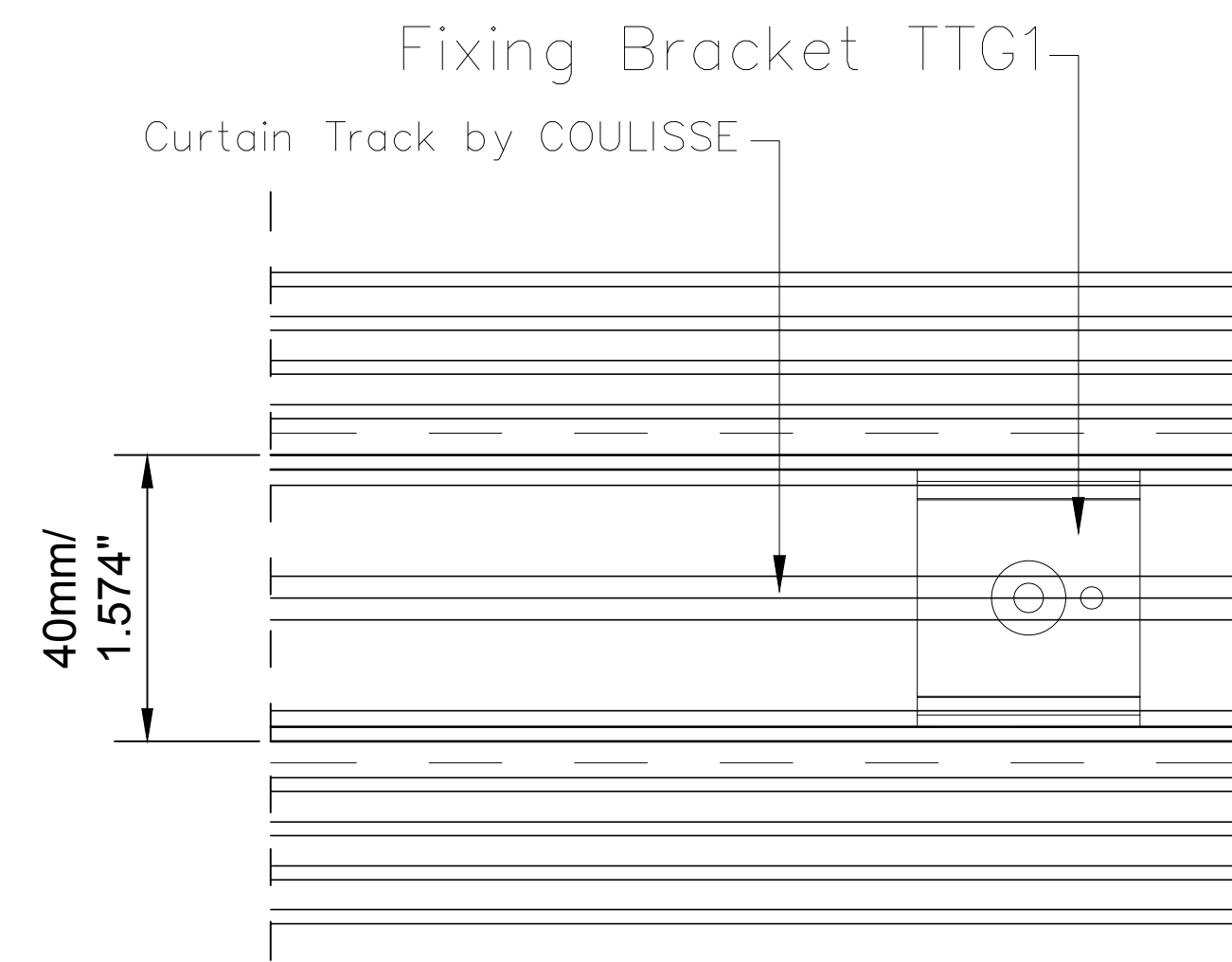


TrackTrim®
for COULISSE ABC-23 Curtain Track

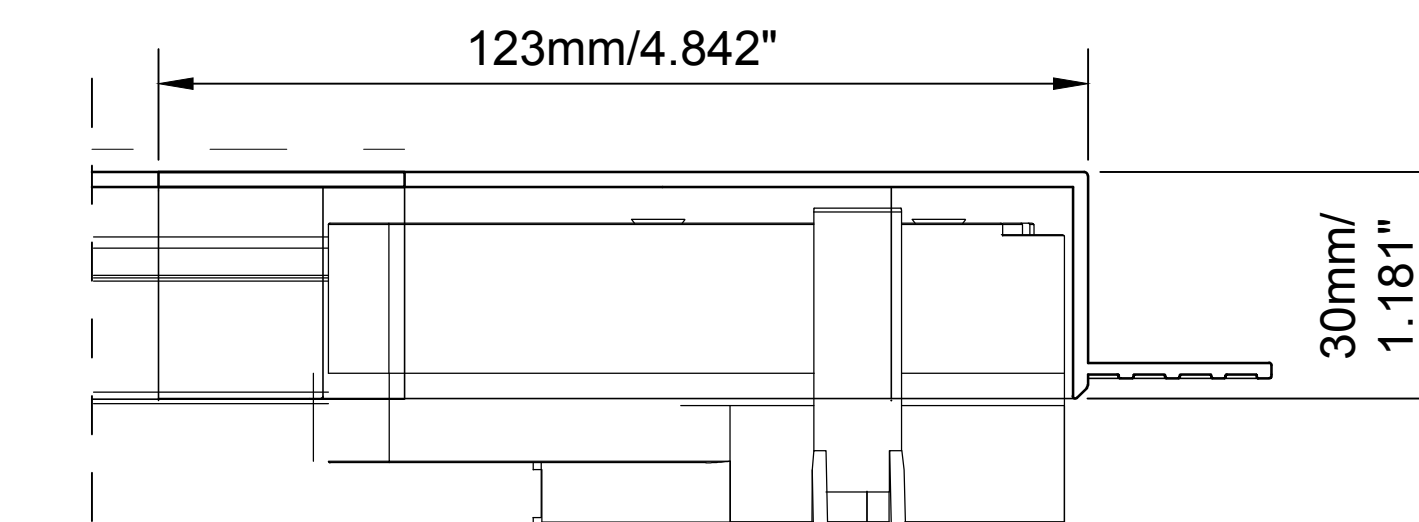
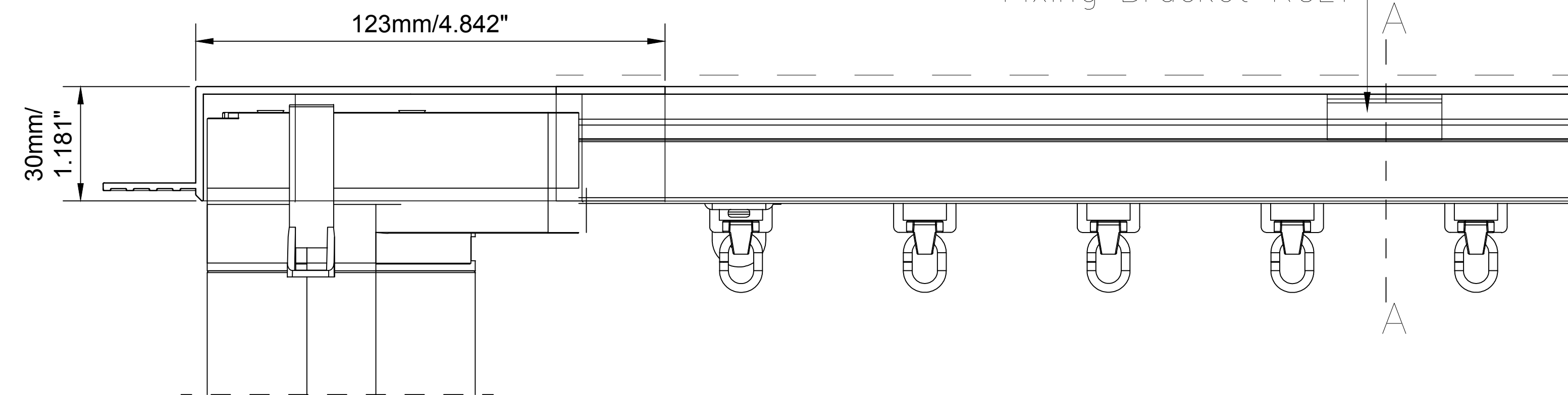
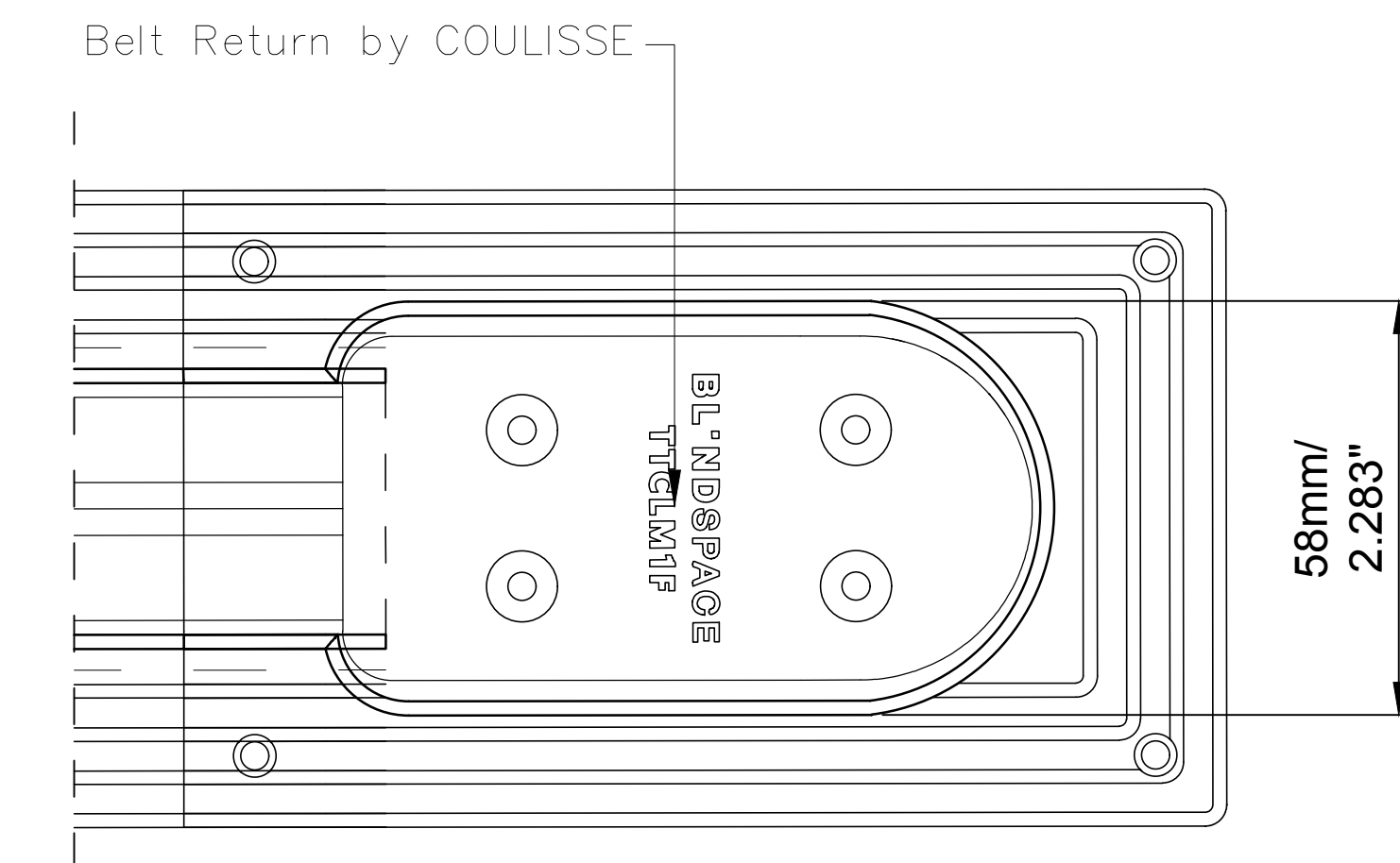
MOTOR BOX TTCLM1F



TRACK PROFILE TT1F/TT2F

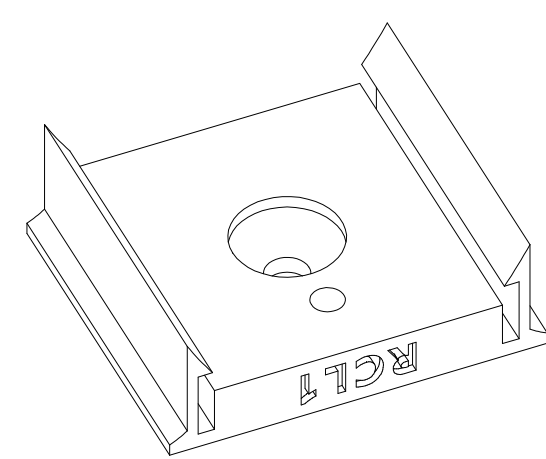


RETURN BOX TTCLR1F



FIXING BRACKET

RCL1 - Fixing Bracket

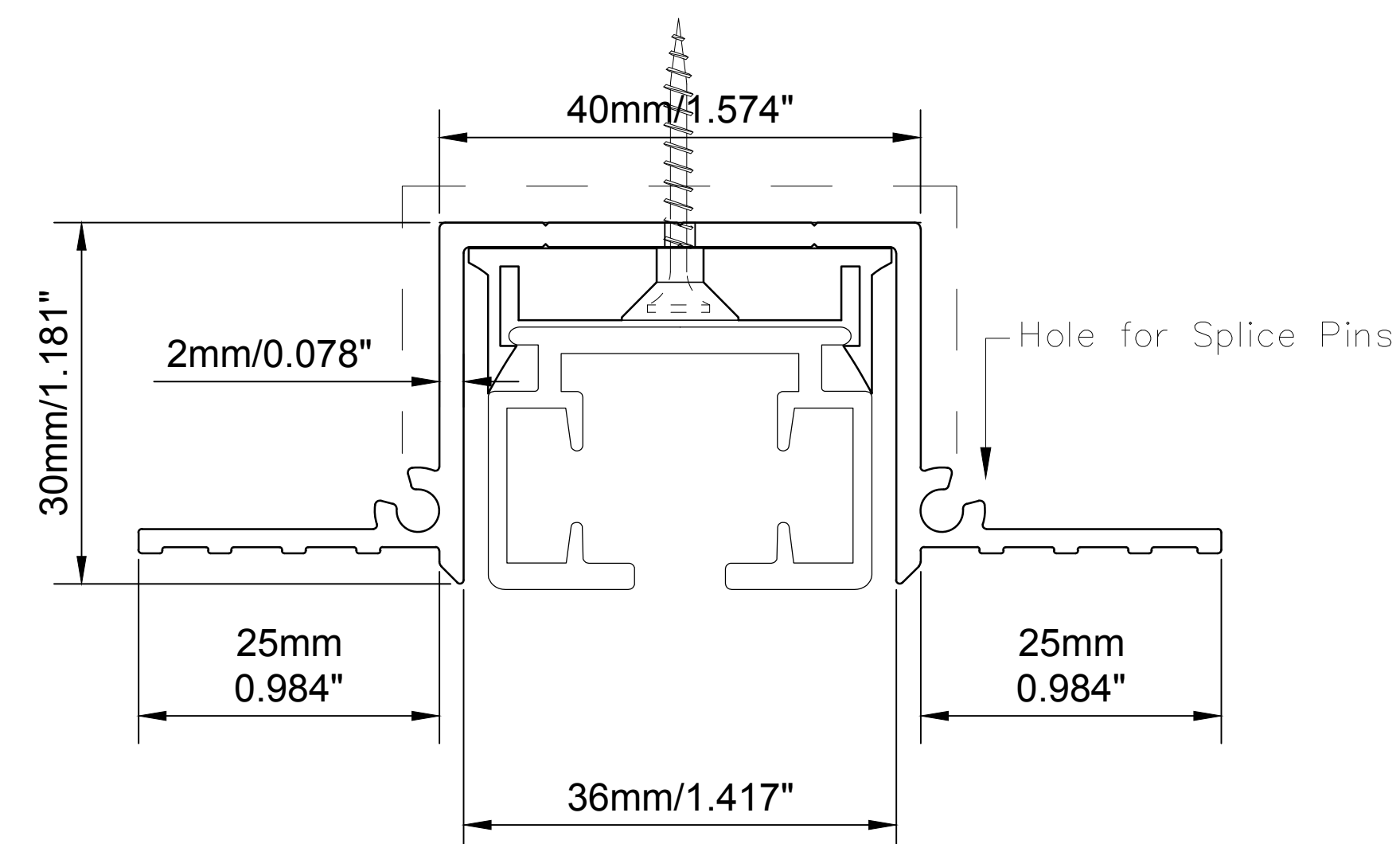


Fixing Bracket for drapery track can be used only with TT2F of TrackTrim profile.

SECTION A-A TT2F PROFILE (OPTIONAL)

TT2F - Track for Screw-Through Fixing

SCALE 2:1



SCALE: 1:1

Light & Shade SOLUTIONS

BY: LIGHT AND SHADE SOLUTIONS
LIGHTANDSHADESOLUTIONS.NET
BRIAN TONOLE
OFFICE: 1-877-587-4233
EMAIL: SALES@LIGHTANDSHADESOLUTIONS.NET

PRODUCT: TRACKTRIM FOR COULISSE ABC-23
DESCRIPTION: RECESSED PROFILES TO HOUSE CURTAIN TRACKS.

MATERIAL:
TRACK EN 6063 T6
END SET PLA THERMOPLASTIC POLYESTER

FINISHES:
WHITE TO BE PLASTERED IN AND DECORATED AT SITE TO MATCH CEILING

TRACK LENGTH:
2000MM
CUT TO SIZE FOR SHORTER LENGTHS.
SPICED TOGETHER FOR LONGER LENGTHS.

INSTALLATION:
TRACKS TO BE FIXED WITH COUNTERSINK SCREWS EVERY 200MM THROUGH BACK (AND BOTH FLANGES WHEN AVAILABLE) INTO APPROPRIATE BACKING. SCRM TAPE TO BE USED ON FLANGES. FINISHED PLASTER LEVEL TO BE FLUSH WITH CHAMFERED EDGE. ALLOW 3MM RECESS SPACE FOR EASE OF INSTALLATION. SHOWN IN DASH LINE AROUND TRACKS.

ITEM NAMES:
BLINDSPACE FOR COULISSE ABC-23 CURTAIN TRACK
TRACKS: TT2F
END-SETS: TTCLM1F/TTCLR1F
FIXING BRACKET: RCL1
EXAMPLE: TT2F WITH TTCLM1F & TTCLR1F

SHEET #:

T9.0