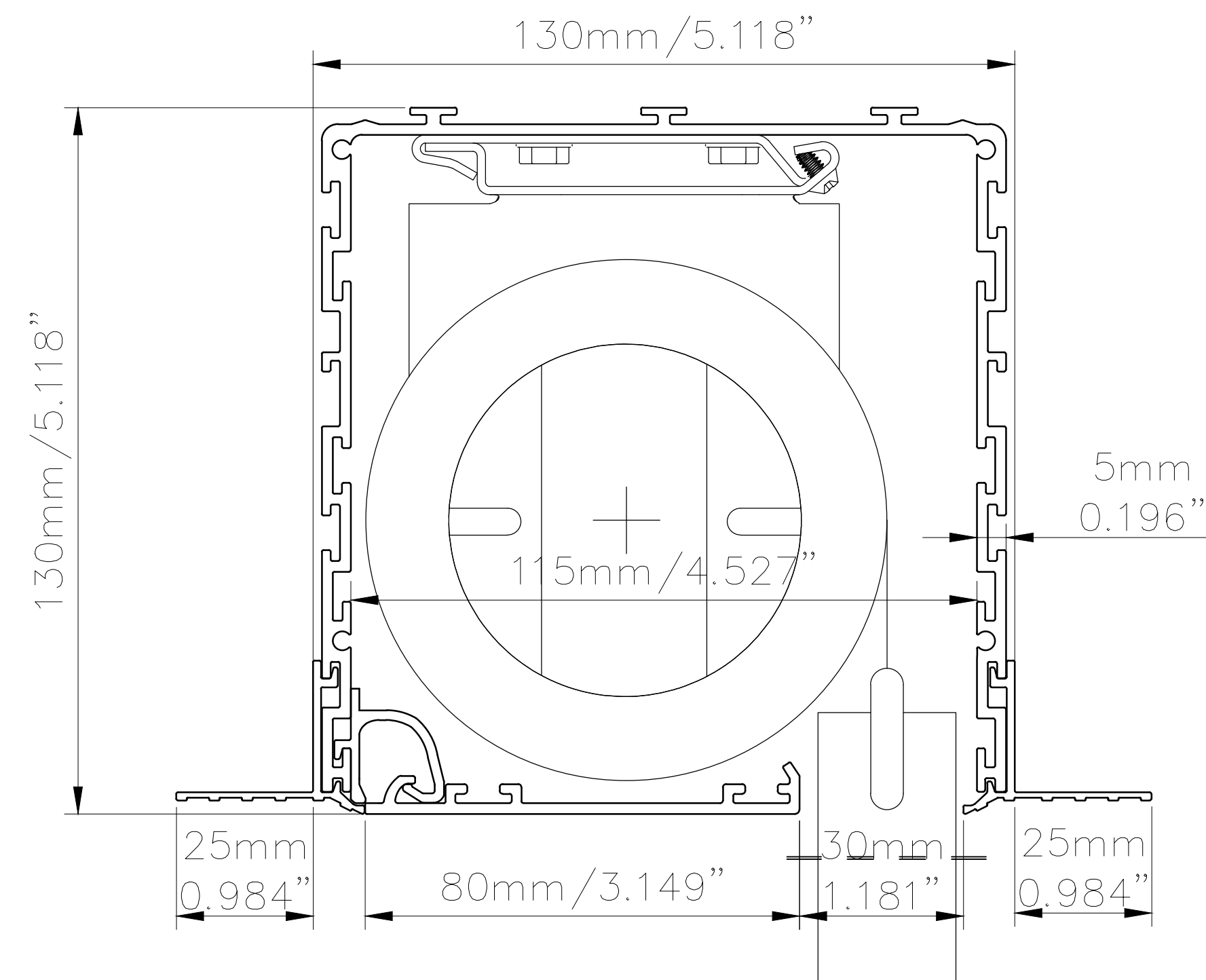
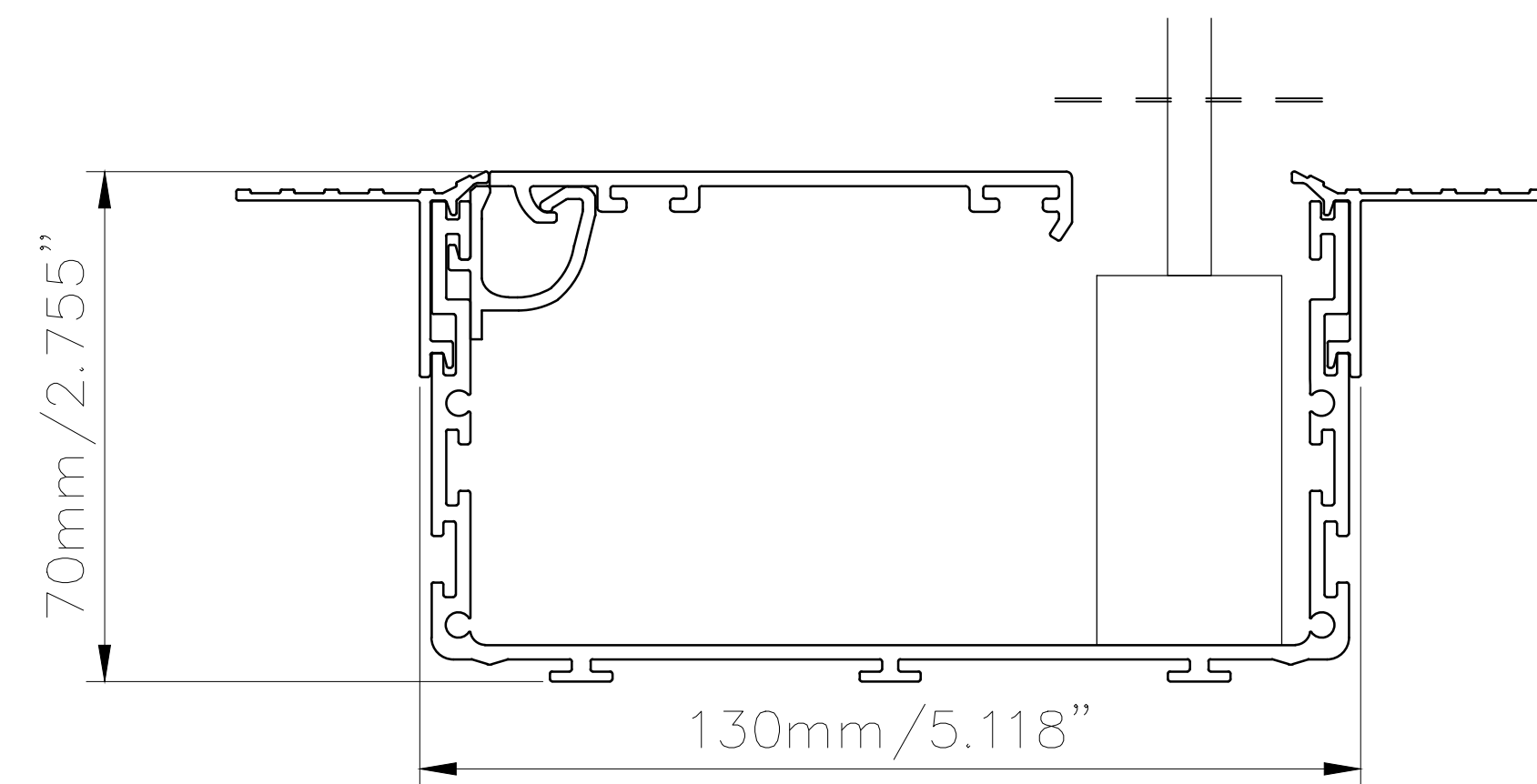


M130x130
for LUTRON R100 – Roller Blind

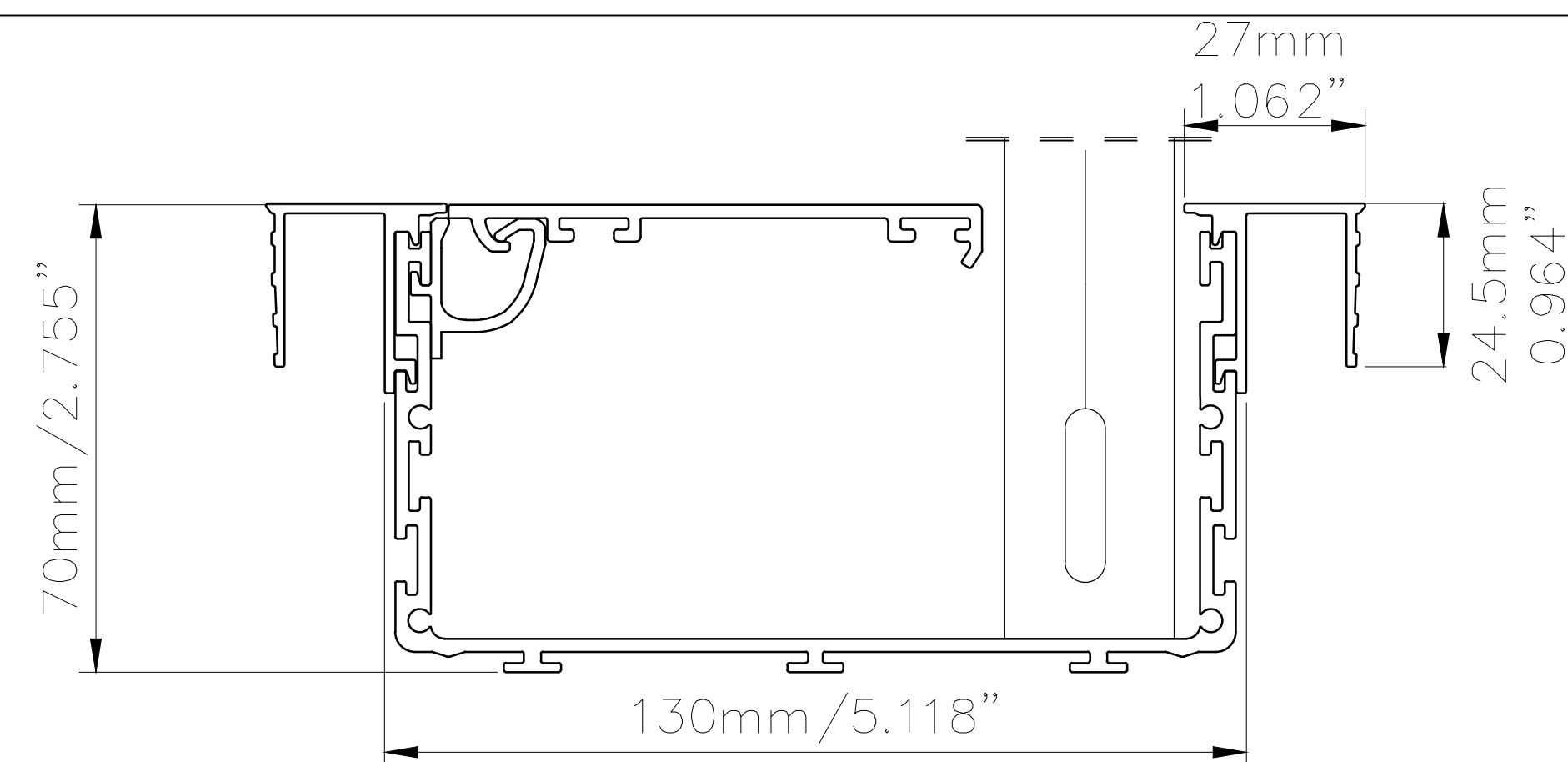
HEAD BOX M130x130



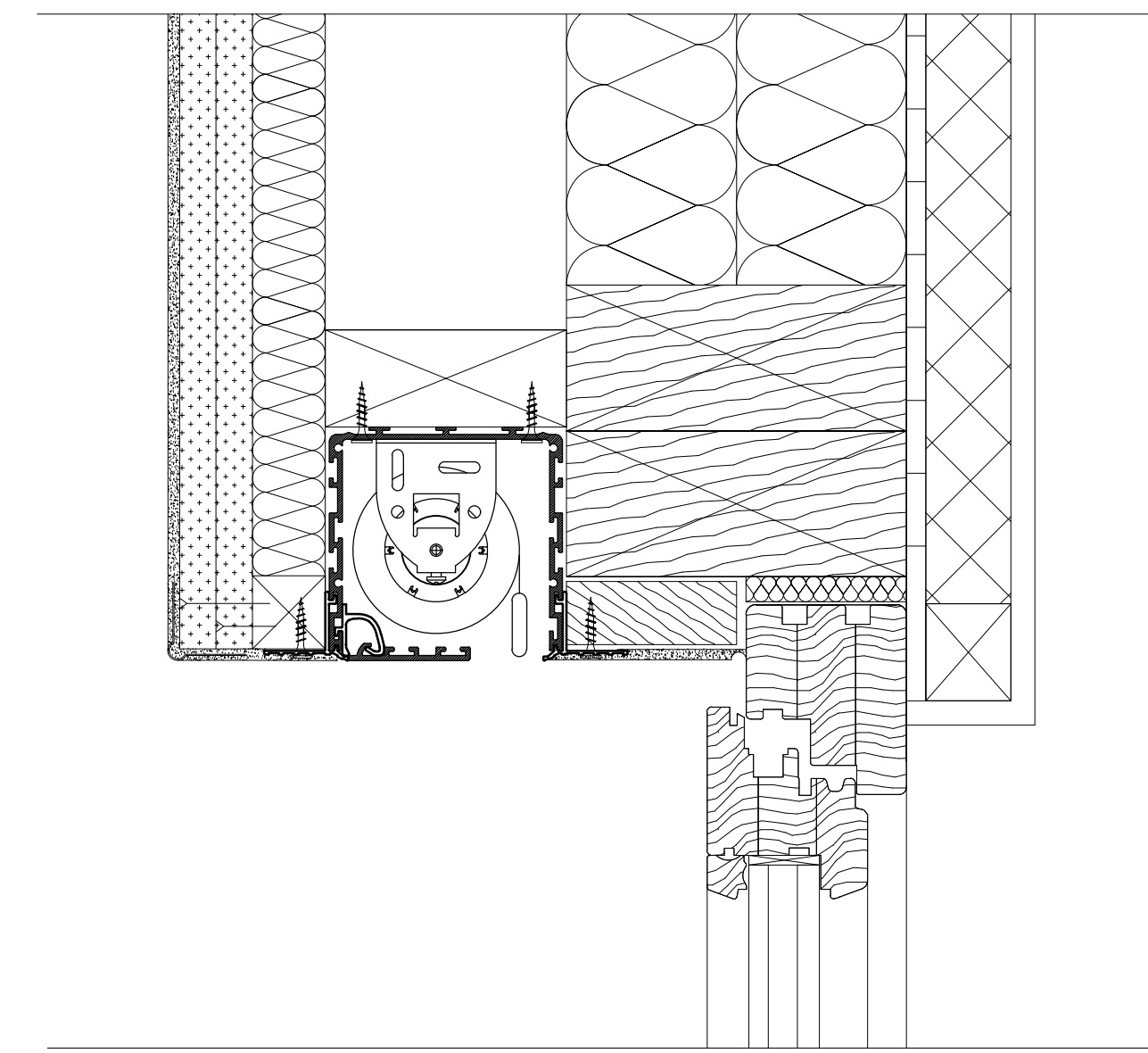
SIDE BOX M130x70 (OPTIONAL)



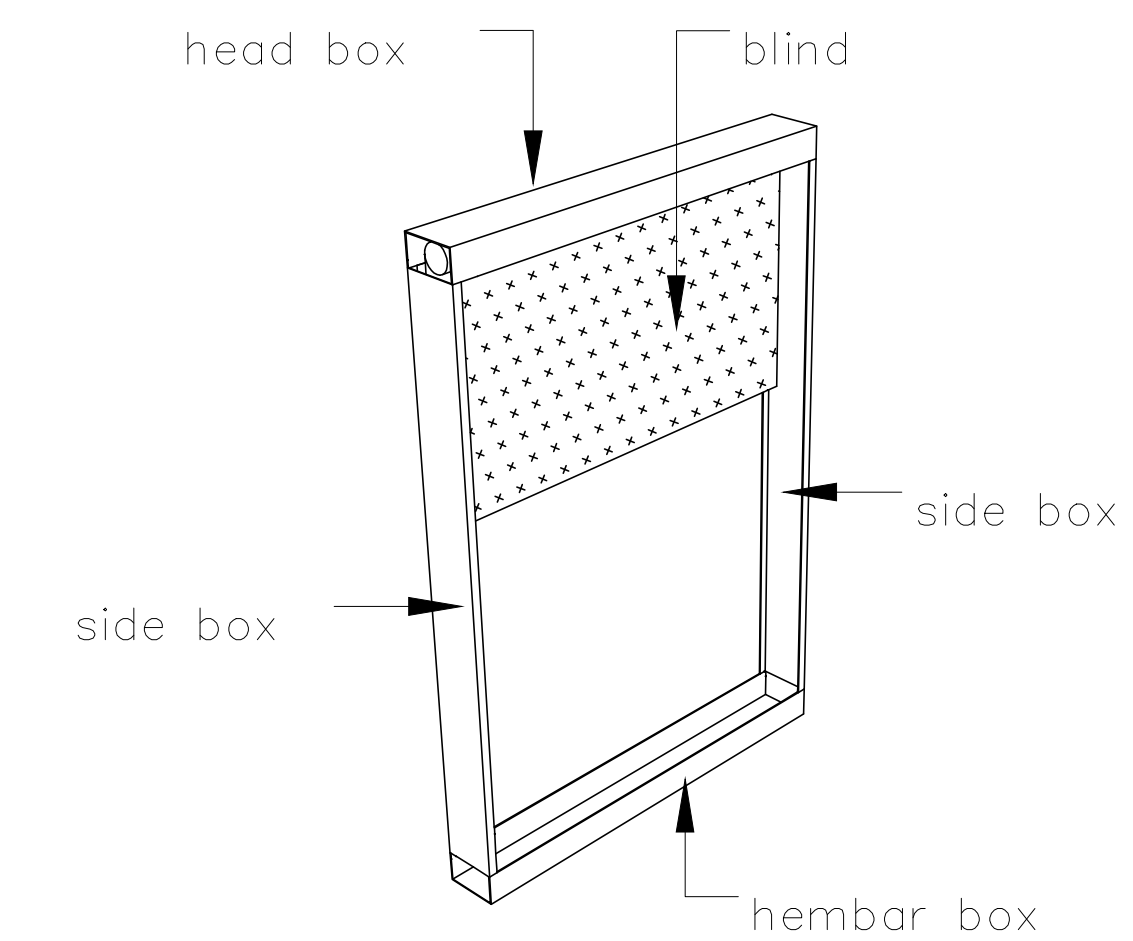
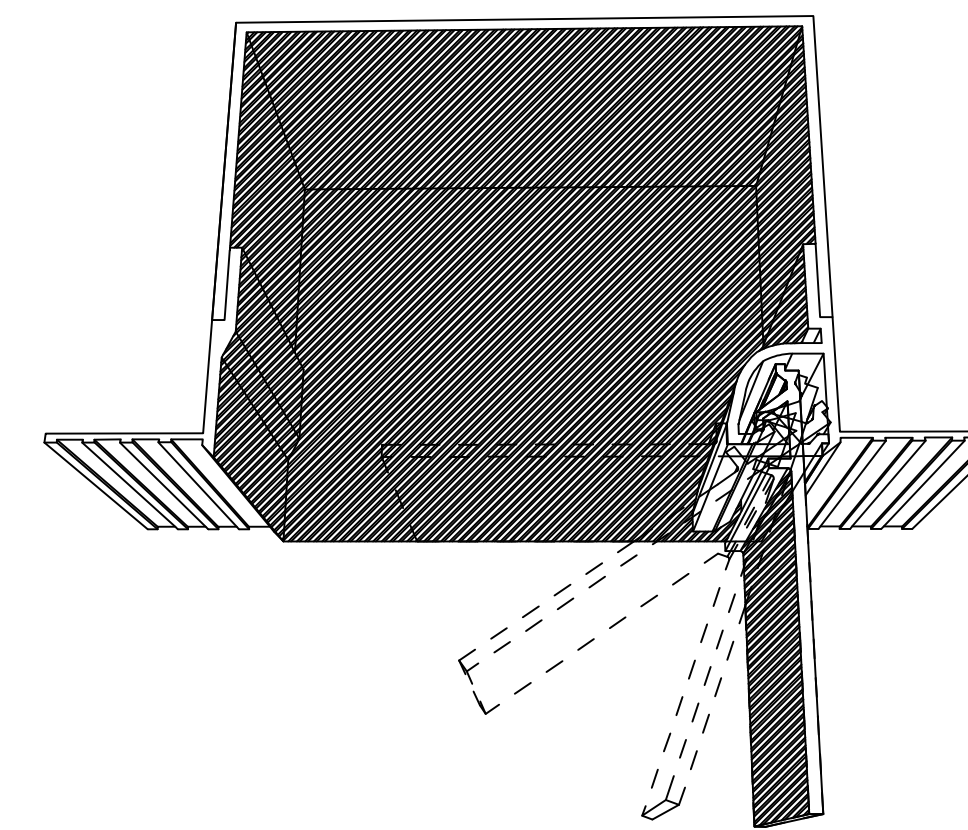
HEM BAR BOX M130x70 (OPTIONAL) SHOWN WITH UPSTAND FLANGE



SAMPLE INSTILLATION DETAIL

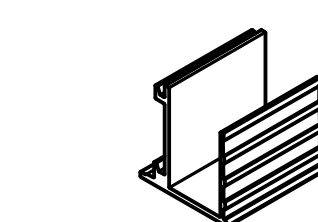


PRODUCT SERIES
M100X100
BOX FRONT SIZE DEPTH OF THE BOX

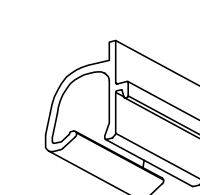


MODULAR COMPONENTS

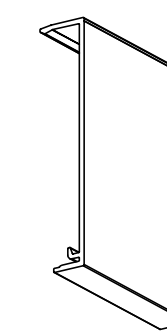
System composes of interlocking modules secured with grub screws (grub screws not shown for clarity).
All modules can be flipped (mirrored) for left and right side use.
Additional modules and covers variations available.
Various configuration possible.



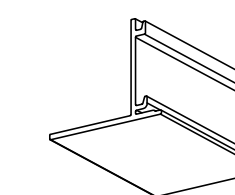
Upstand Flange



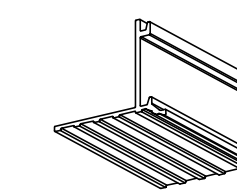
Cover Hinge



Side Cover
for fully exposed boxes
or No Flange option



V- Visible Flange S-Skim Coat Flange



Light & Shade
SOLUTIONS

BY: LIGHT AND SHADE SOLUTIONS
LIGHTANDSHADESOLUTIONS.NET
BRIAN TONOLE
OFFICE: 1-877-587-4233
EMAIL: SALES@LIGHTANDSHADESOLUTIONS.NET

PRODUCT: **M 130X130 & M130X70**

DESCRIPTION:
RECESSED BOX WITH OPTIONAL
FLANGES AND HINGED COVER
TO CONCEAL BLINDS FLUSH WITH WALL
OR CEILING FINISHED SURFACE.

MATERIAL:
ANODIZED ALUMINUM EN 6063 T6, POWDER COATED MODULAR COMPONENTS

FINISHES:
PROVIDED IN RAL 9016 WHITE
OPTIONAL POWDER COATING TO OTHER RAL COLORS AVAILABLE

BLIND SIZES TO FIT INSIDE OF BOX:
ROLLER150 WIDR OR SMALLER

INSTALLATION:
BOXES TO BE FIXED WITH COUNTER SUNK SCREWS EVERY 300MM THROUGH BACK (AND BOTH FLANGES WHEN AVAILABLE) INTO APPROPRIATE BACKING. SCRIM TAPE TO BE USED ON FLANGES. FINISHED PLASTER LEVEL TO BE FLUSH WITH COVER. ALLOW 3MM RECESS SPACE FOR EASE OF INSTALLATION. SHOWN IN DASH LINE AROUND BOXES

ITEM NAMES:
BLINDSPACE M130X130, M130X70

SHEET #:
M1.0