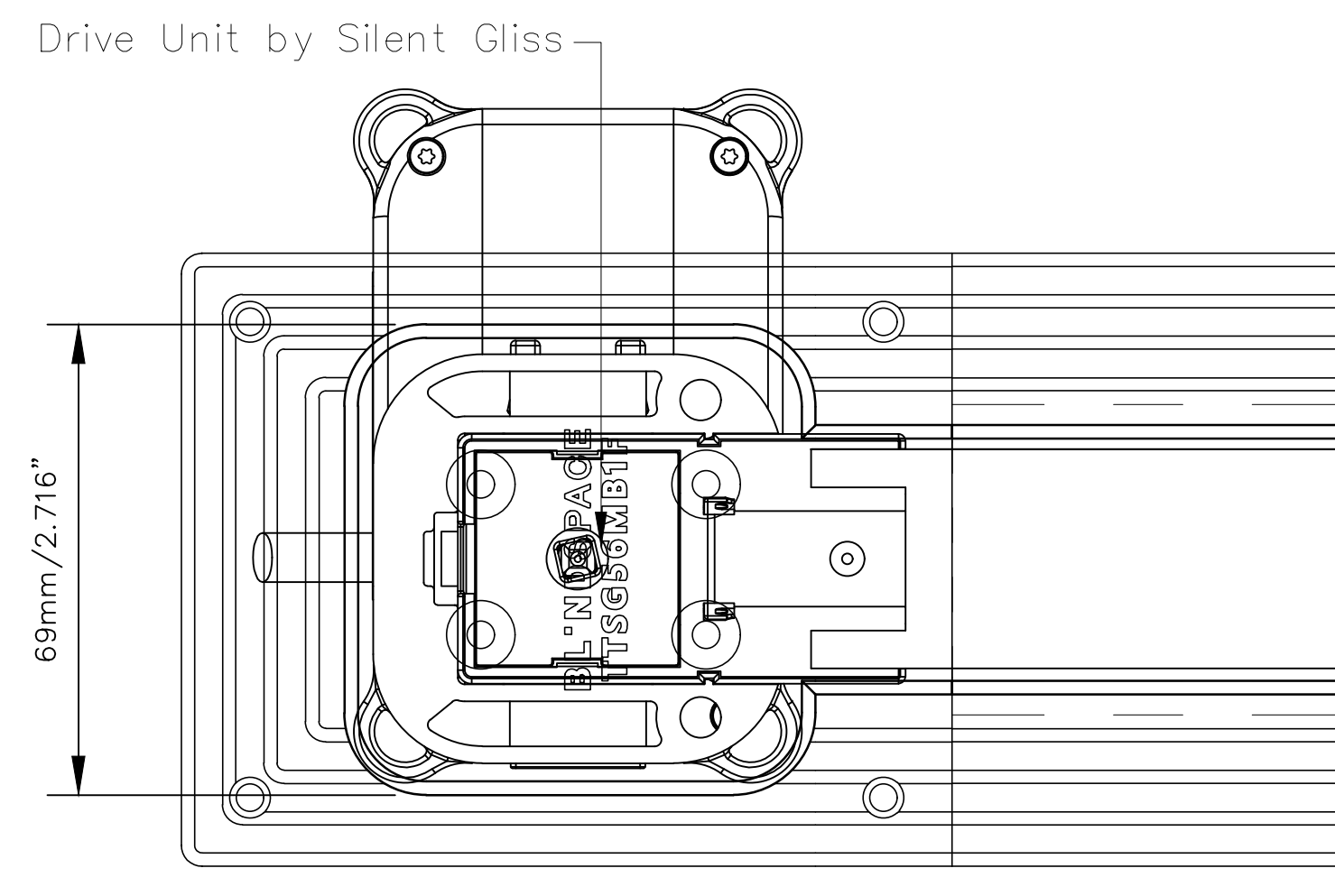
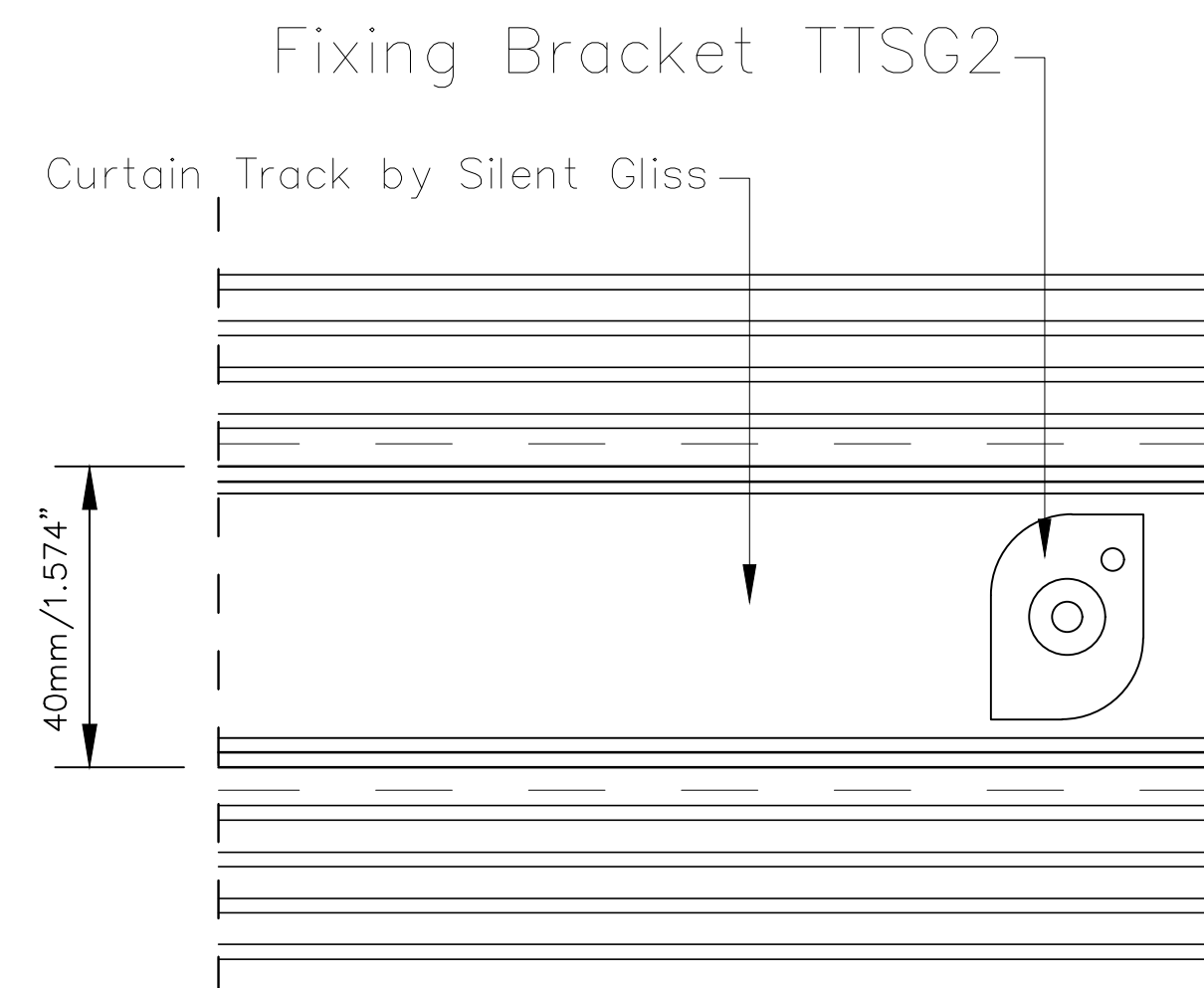


TrackTrim®
for SILENT GLISS 5600 Curtain Track

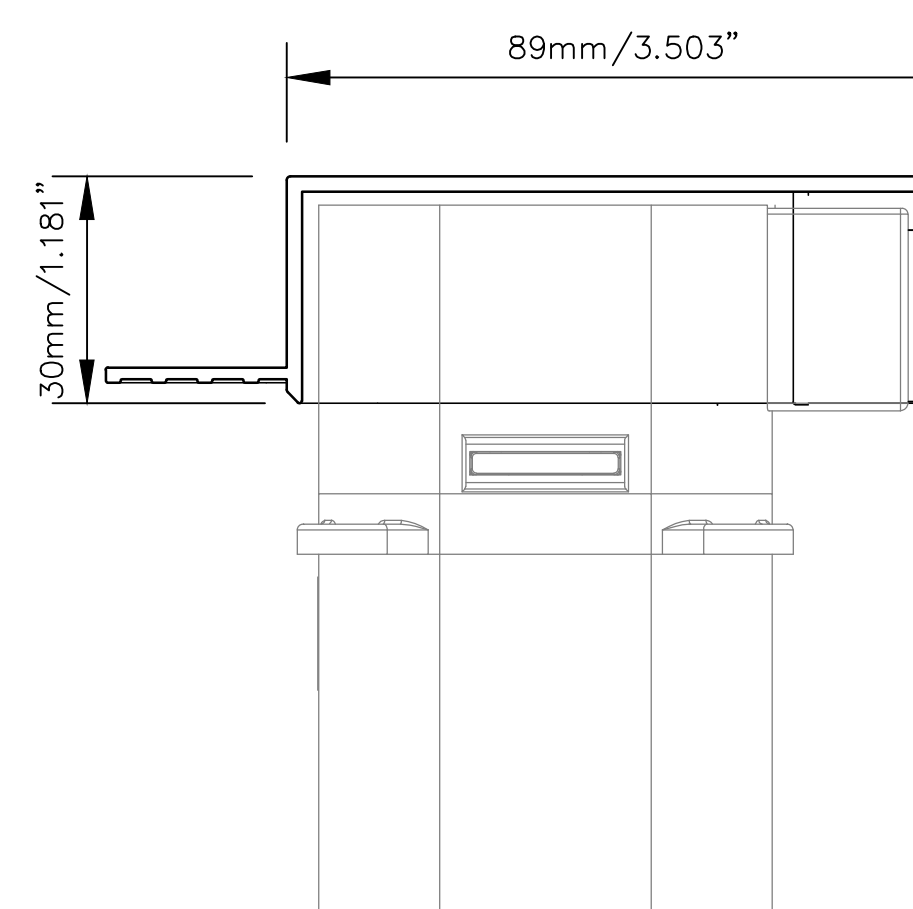
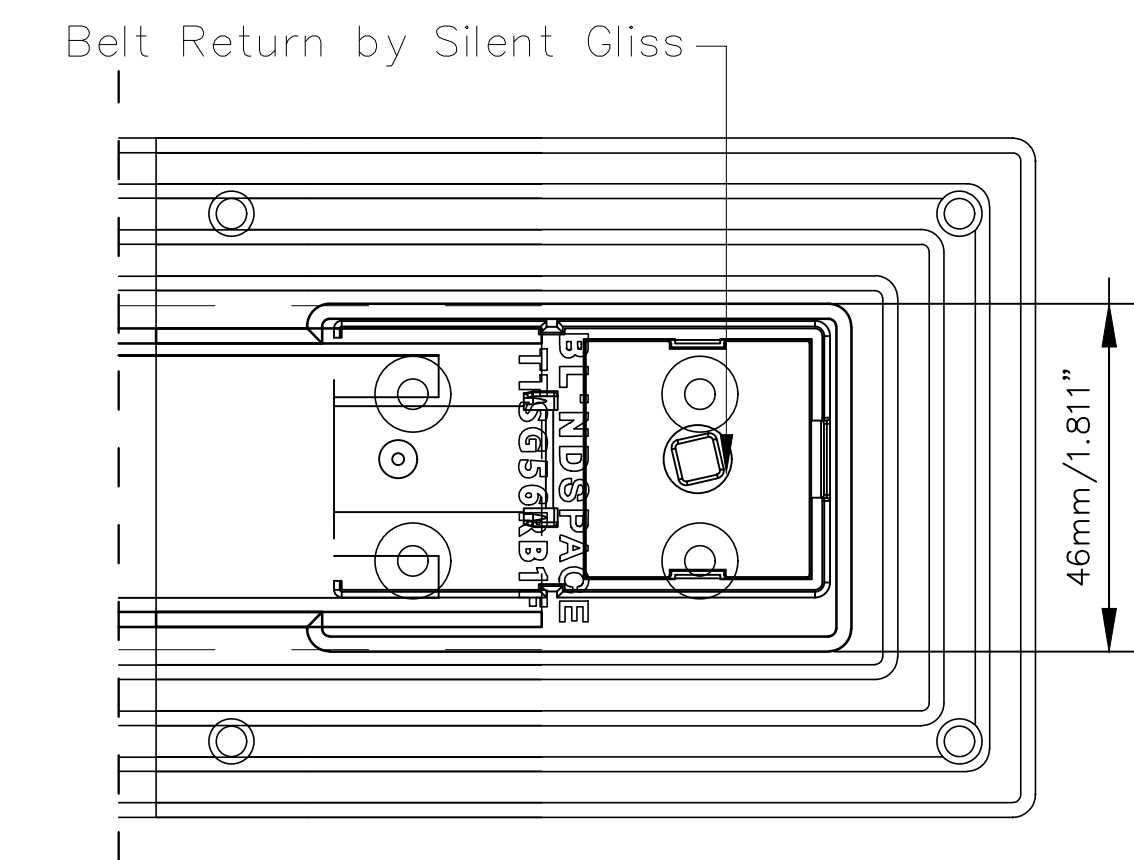
MOTOR BOX TTSG56MF



TRACK PROFILE TT1F/TT2F

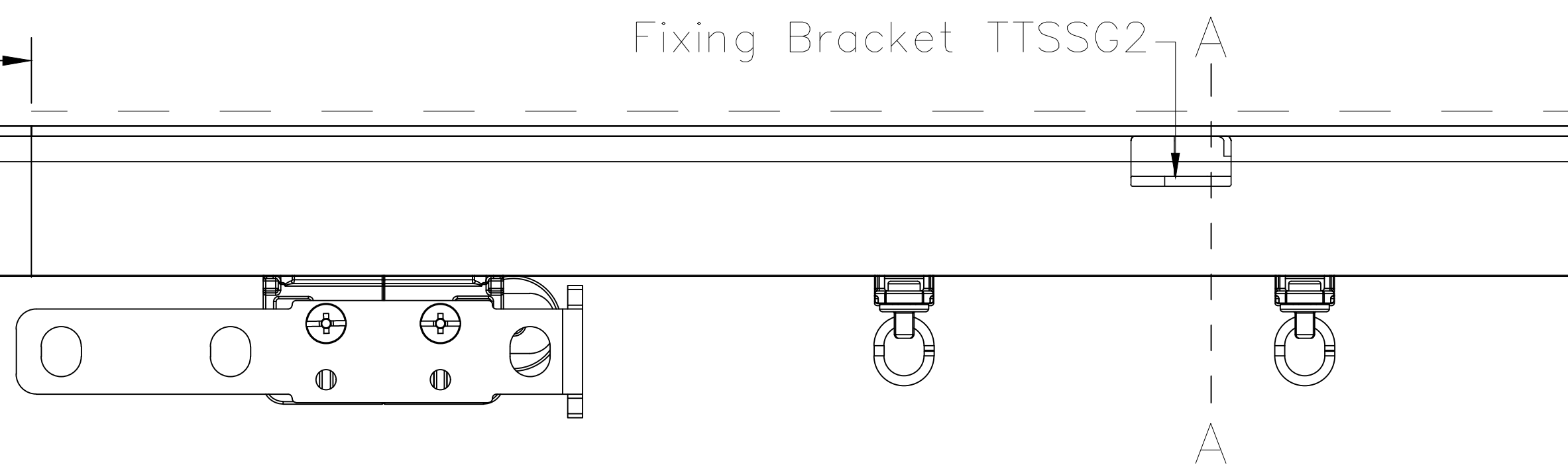


RETURN BOX TTSG56RF

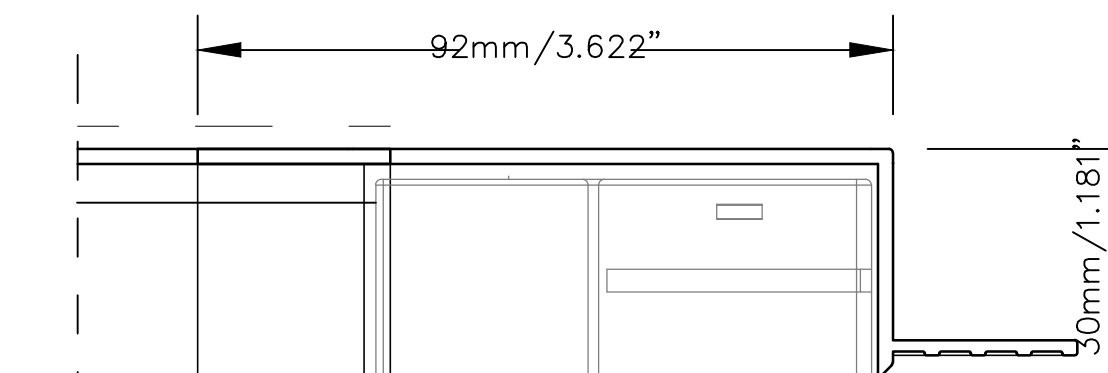


FIXING BRACKET
TTSSG2 - Fixing Bracket

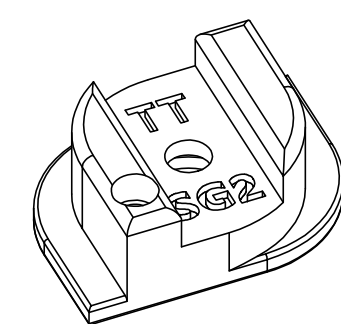
Fixing Bracket TTSSG2 - A



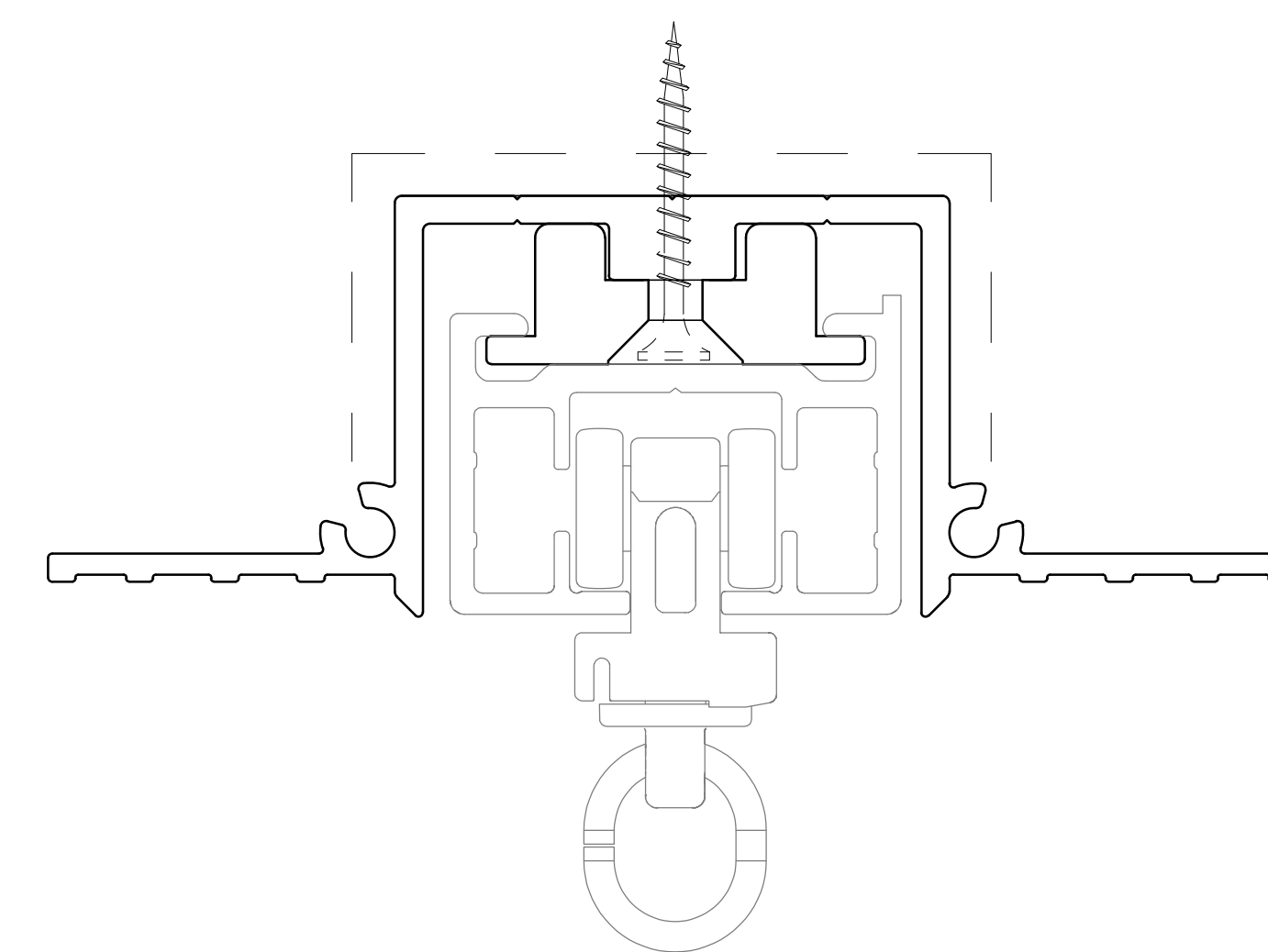
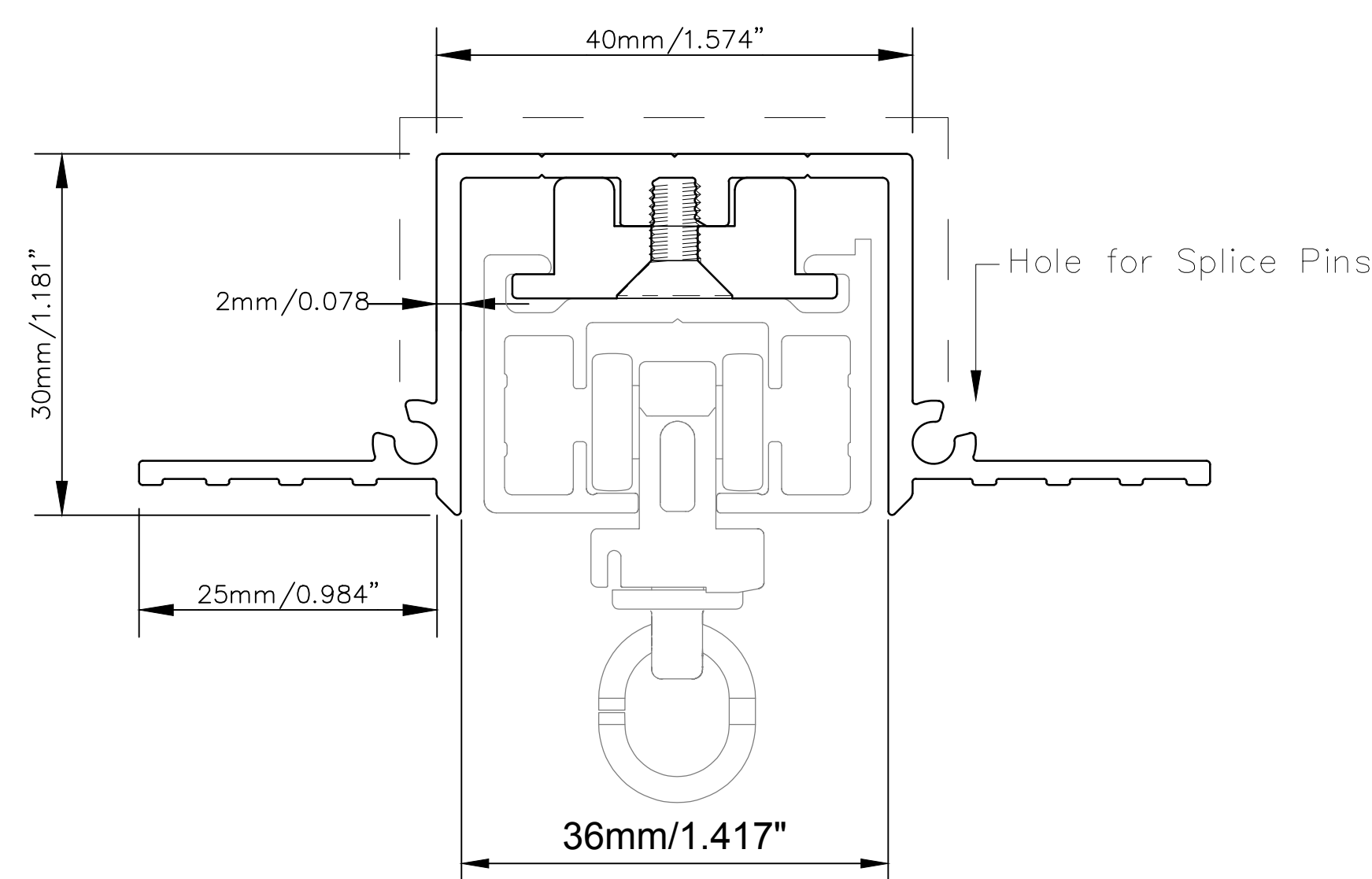
SECTION A-A TT1F PROFILE SCALE 2:1
TT1F - Track with Screw Channel, possible Screw-Through Fixing



SECTION A-A TT2F PROFILE (OPTIONAL) SCALE 2:1
TT2F - Track for Screw-Through Fixing



Fixing Bracket for drapery track can be used with both types TT1F & TT2F of TrackTrim profiles.



SCALE: 1:1

Light & Shade SOLUTIONS

BY: LIGHT AND SHADE SOLUTIONS
LIGHTANDSHADESOLUTIONS.NET
BRIAN TONOLE
OFFICE: 1-877-587-4233
EMAIL: SALES@LIGHTANDSHADESOLUTIONS.NET

PRODUCT: TRACKTRIM FOR SILENT GLISS 5600
DESCRIPTION: RECESSED PROFILES TO HOUSE CURTAIN TRACKS.

MATERIAL:
TRACK EN 6063 T6
END SET PLA THERMOPLASTIC POLYESTER

FINISHES:
WHITE TO BE PLASTERED IN AND DECORATED AT SITE TO MATCH CEILING

TRACK LENGTH:
2000MM
CUT TO SIZE FOR SHORTER LENGTHS.
SPliced TOGETHER FOR LONGER LENGTHS.

INSTALLATION:
TRACKS TO BE FIXED WITH COUNTERSINK SCREWS EVERY 200MM THROUGH BACK (AND BOTH FLANGES WHEN AVAILABLE) INTO APPROPRIATE BACKING. SCRM TAPE TO BE USED ON FLANGES. FINISHED PLASTER LEVEL TO BE FLUSH WITH CHAMFERED EDGE. ALLOW 3MM RECESS SPACE FOR EASE OF INSTALLATION. SHOWN IN DASH LINE AROUND TRACKS.

ITEM NAMES:
BLINDSPACE FOR SILENT GLISS 5600 CURTAIN TRACK
TRACKS: TT1F/TT2F
END SETS: TTSG56MBF/TTSG56RBF
FIXING BRACKET: TTSSG2
EXAMPLE: TT1F WITH TTSG56MBF & TTSG56RBF

SHEET #: T4.0