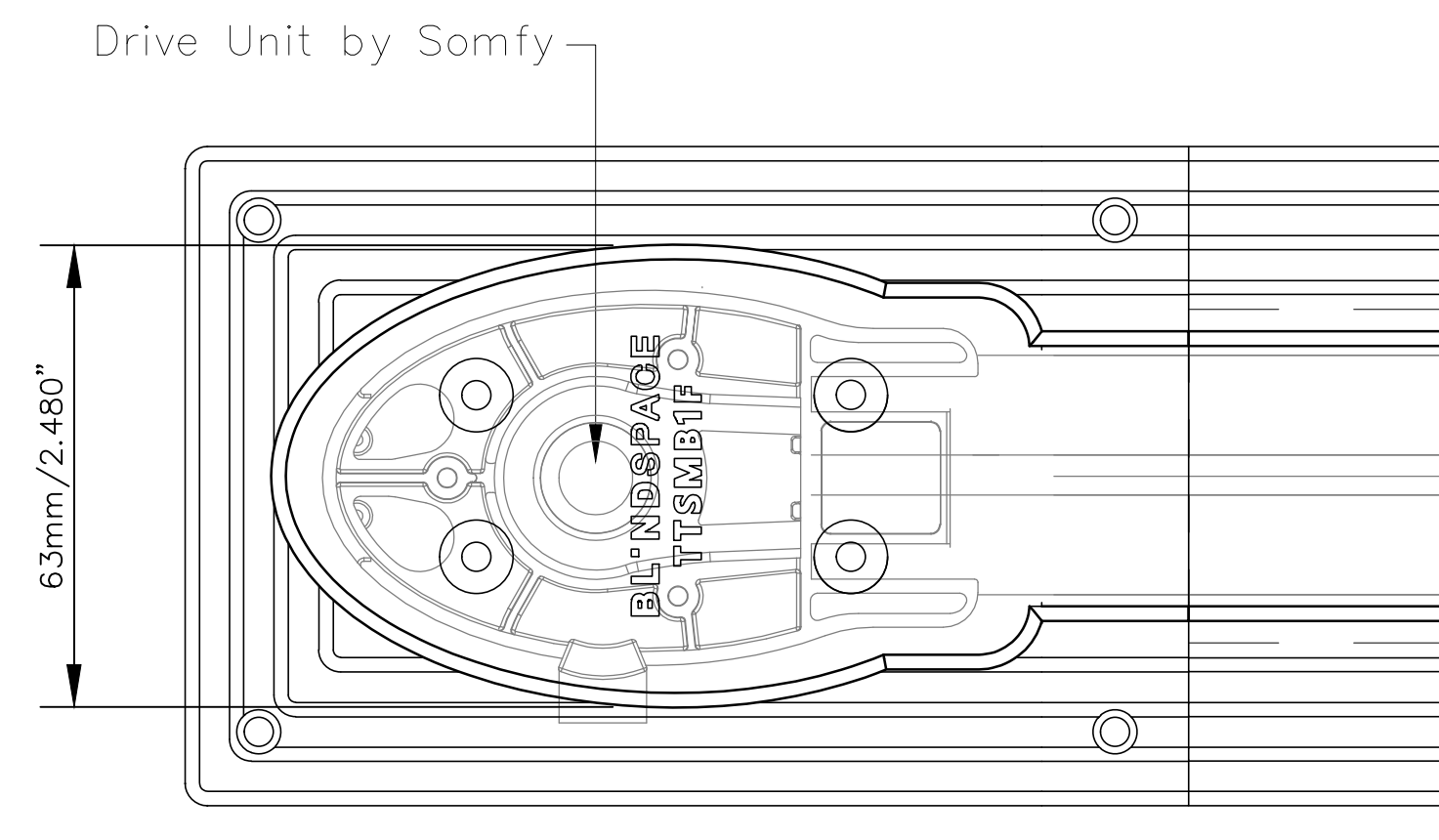
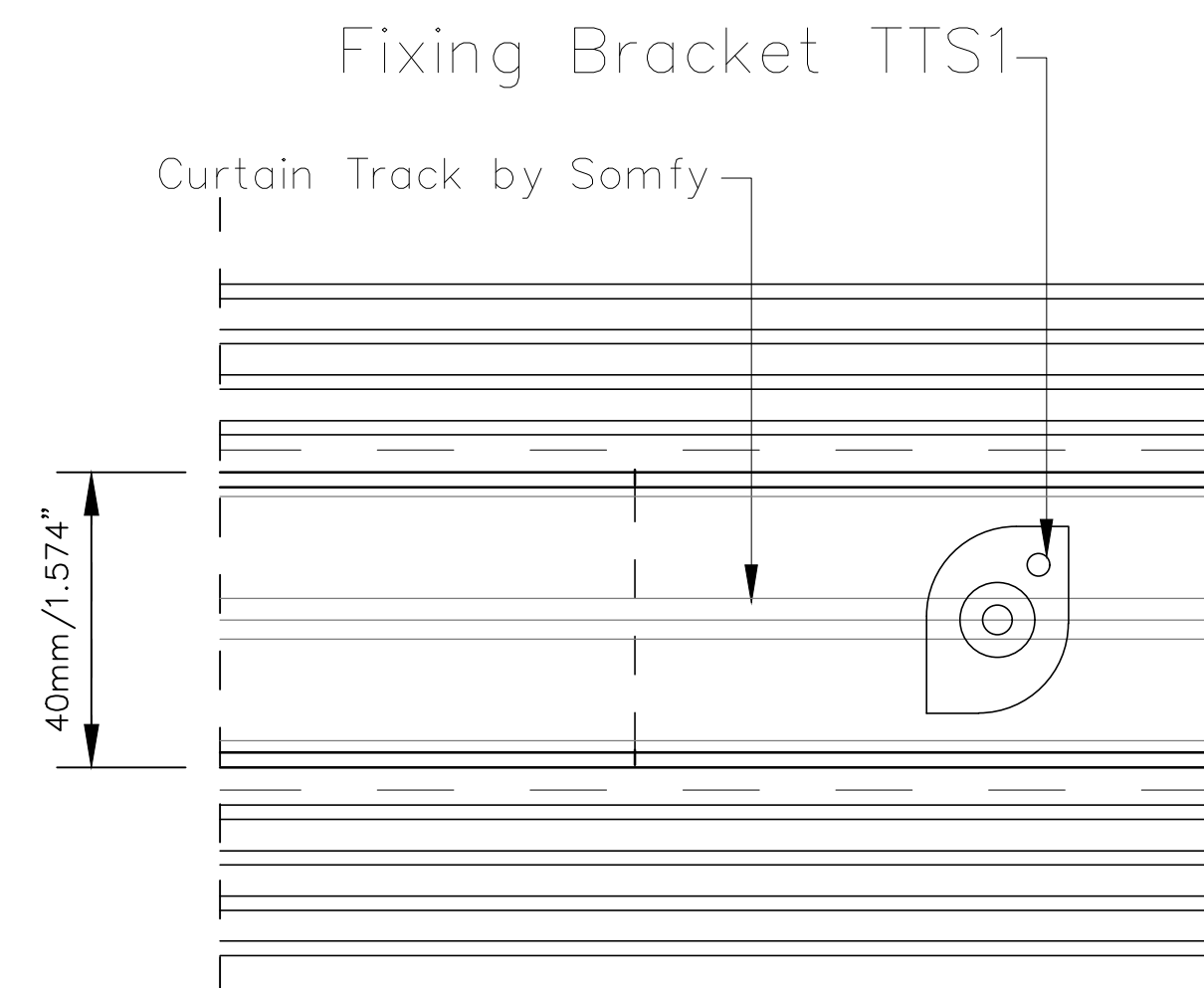


TrackTrim®
for SOMFY Glydea with motor end and return end

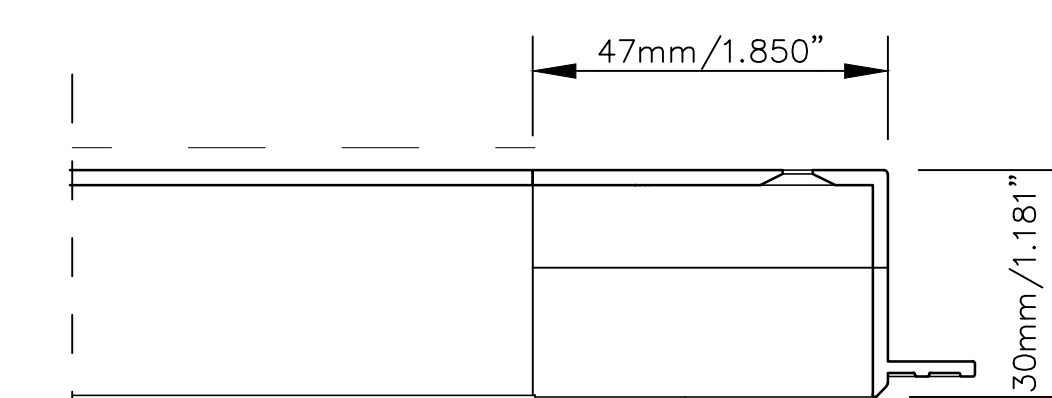
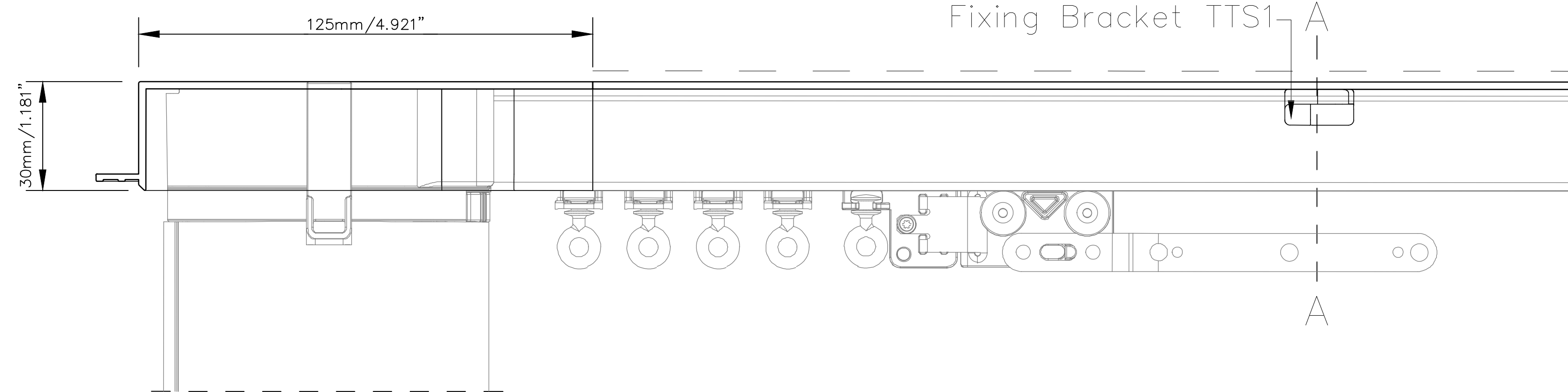
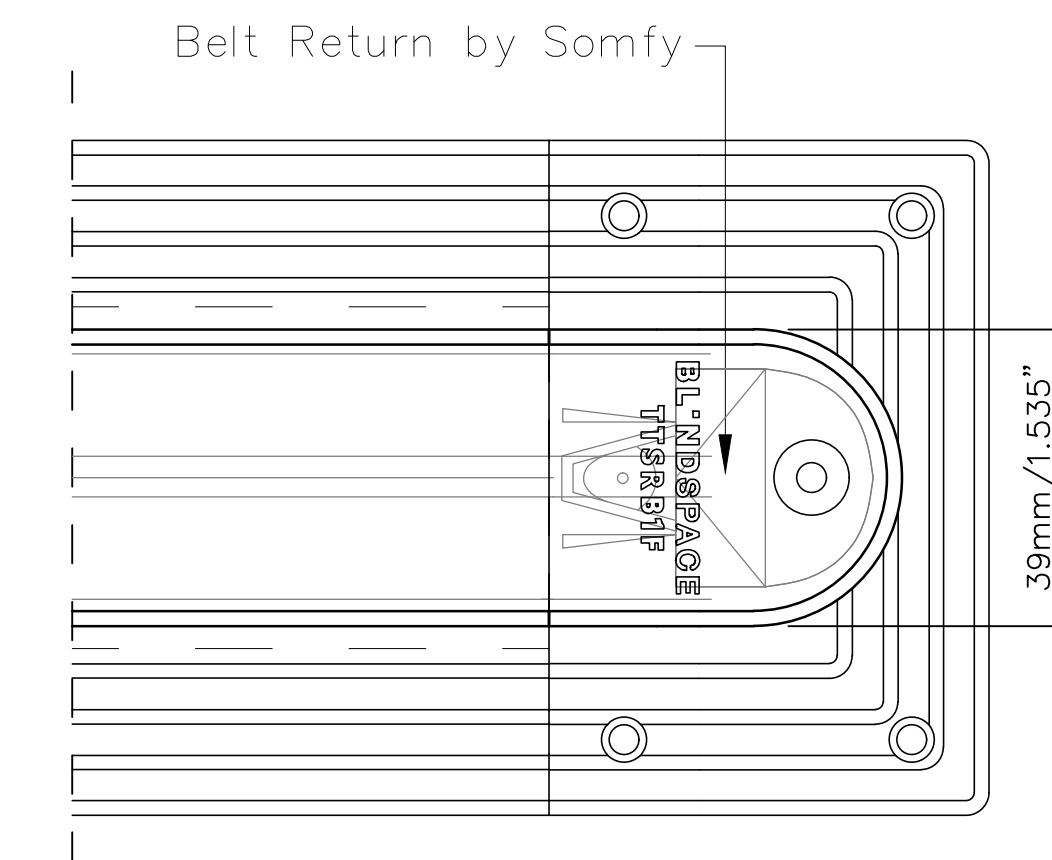
MOTOR BOX TTSMF



TRACK PROFILE TT1F/TT2F



RETURN BOX TTSRF



FIXING BRACKET

TTS1 – Fixing Bracket

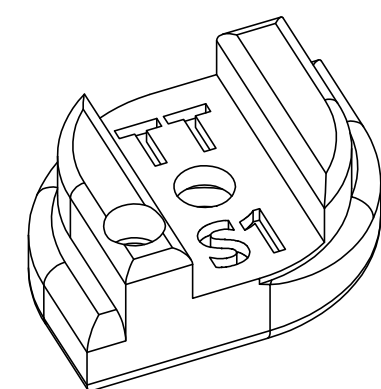
SECTION A-A TT1F PROFILE

SCALE 2:1

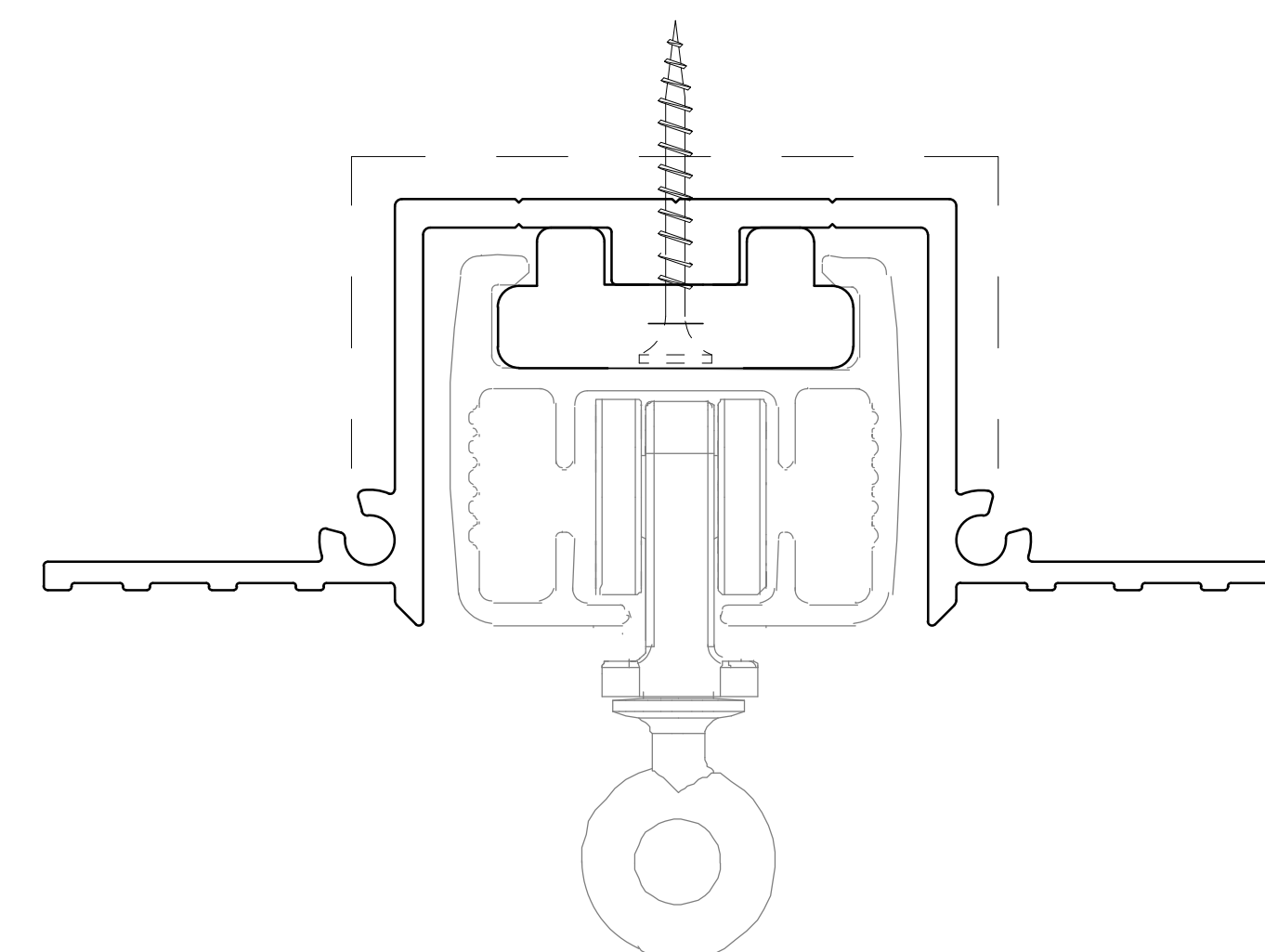
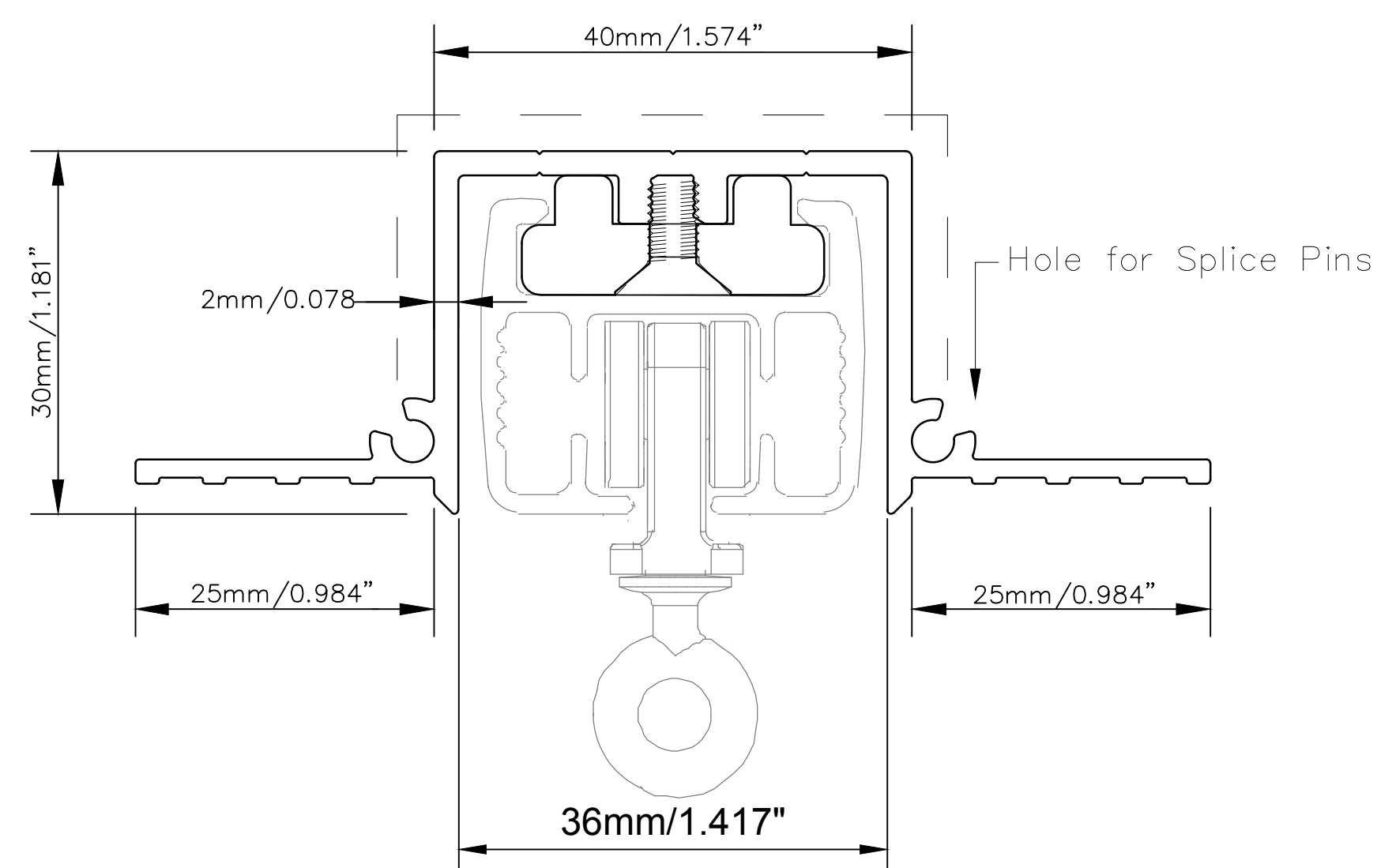
TT1F – Track with Screw Channel, possible Screw-Through Fixing

SECTION A-A TT2F PROFILE (OPTIONAL) SCALE 2:1

TT2F – Track for Screw-Through Fixing



Fixing Bracket for drapery track can be used with both types TT1F & TT2F of TrackTrim profiles.



SCALE: 1:1

Light & Shade
SOLUTIONS

BY: LIGHT AND SHADE SOLUTIONS
LIGHTANDSHADESOLUTIONS.NET
BRIAN TONOLE
OFFICE: 1-877-587-4233
EMAIL: SALES@LIGHTANDSHADESOLUTIONS.NET

PRODUCT: **TRACKTRIM FOR SOMFY GLYDEA**

DESCRIPTION: **RECESSED PROFILES TO HOUSE CURTAIN TRACKS.**

MATERIAL:
TRACK EN 6063 T6
END SET PLA THERMOPLASTIC POLYESTER

FINISHES:
WHITE TO BE PLASTERED IN AND DECORATED AT SITE TO MATCH CEILING

TRACK LENGTH:
2000MM
CUT TO SIZE FOR SHORTER LENGTHS.
SPICED TOGETHER FOR LONGER LENGTHS.

INSTALLATION:
TRACKS TO BE FIXED WITH COUNTERSINK SCREWS EVERY 200MM THROUGH BACK (AND BOTH FLANGES WHEN AVAILABLE) INTO APPROPRIATE BACKING. SCRM TAPE TO BE USED ON FLANGES. FINISHED PLASTER LEVEL TO BE FLUSH WITH CHAMFERED EDGE. ALLOW 3MM RECESS SPACE FOR EASE OF INSTALLATION. SHOWN IN DASH LINE AROUND TRACKS.

ITEM NAMES:
BLINDSPACE FOR SOMFY GLYDEA CURTAIN TRACK
TRACKS: TT1F/TT2F
END-SETS: TTSMB1F/TTSRB1F
FIXING BRACKET: TTS1
EXAMPLE: TT1F WITH TTSMB1F & TTSRB1F

SHEET #:
T2.0