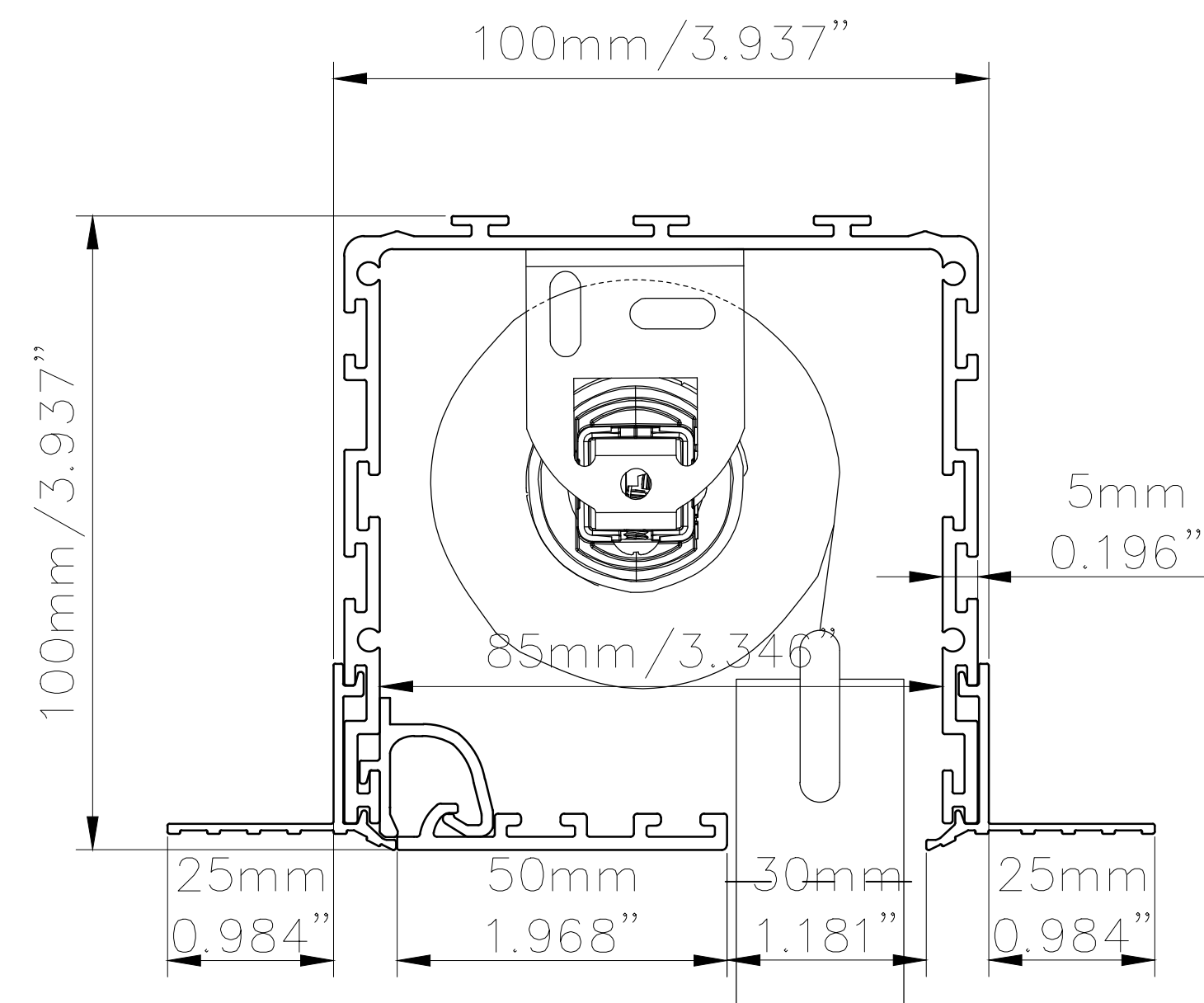
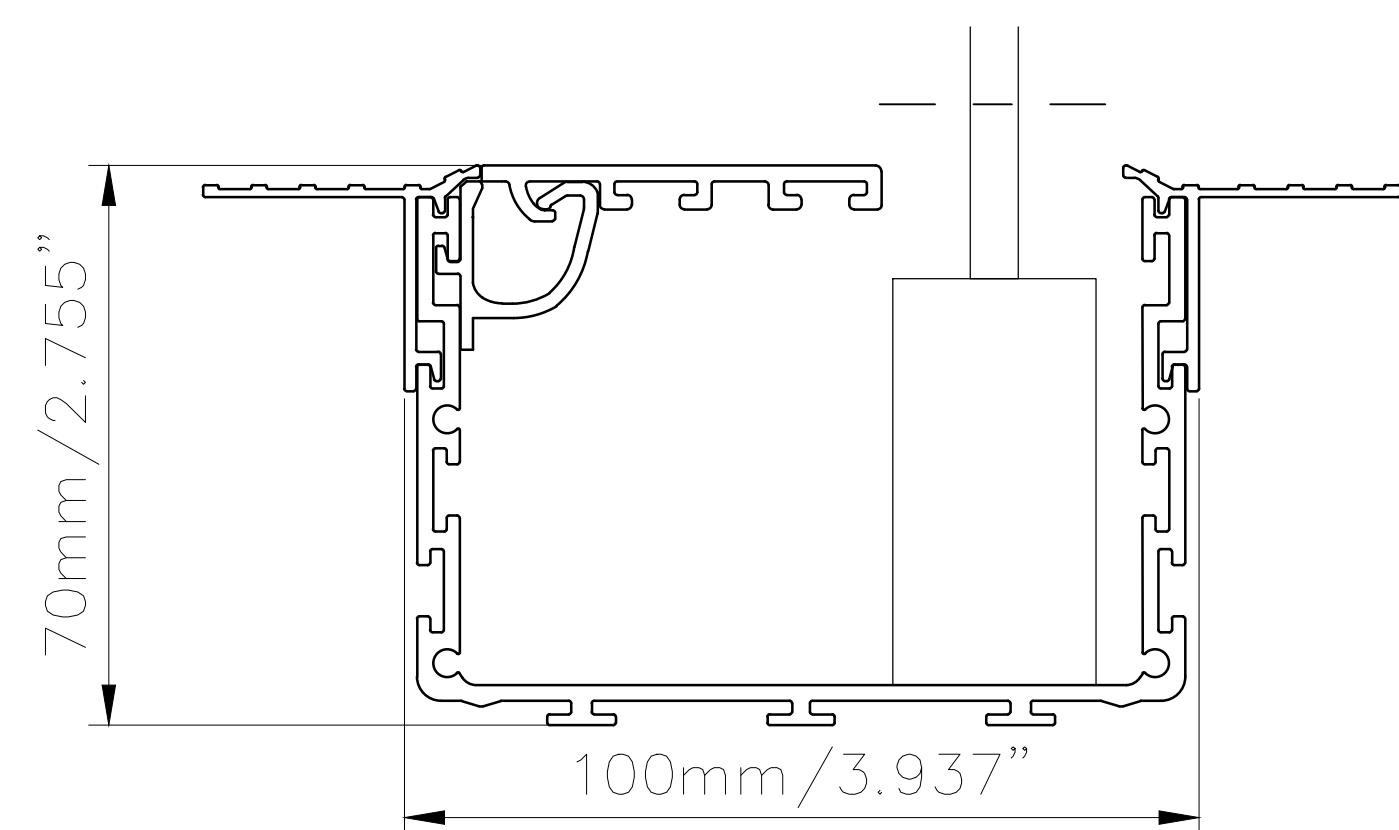


M100x100  
for LUTRON R020 – Roller Blind

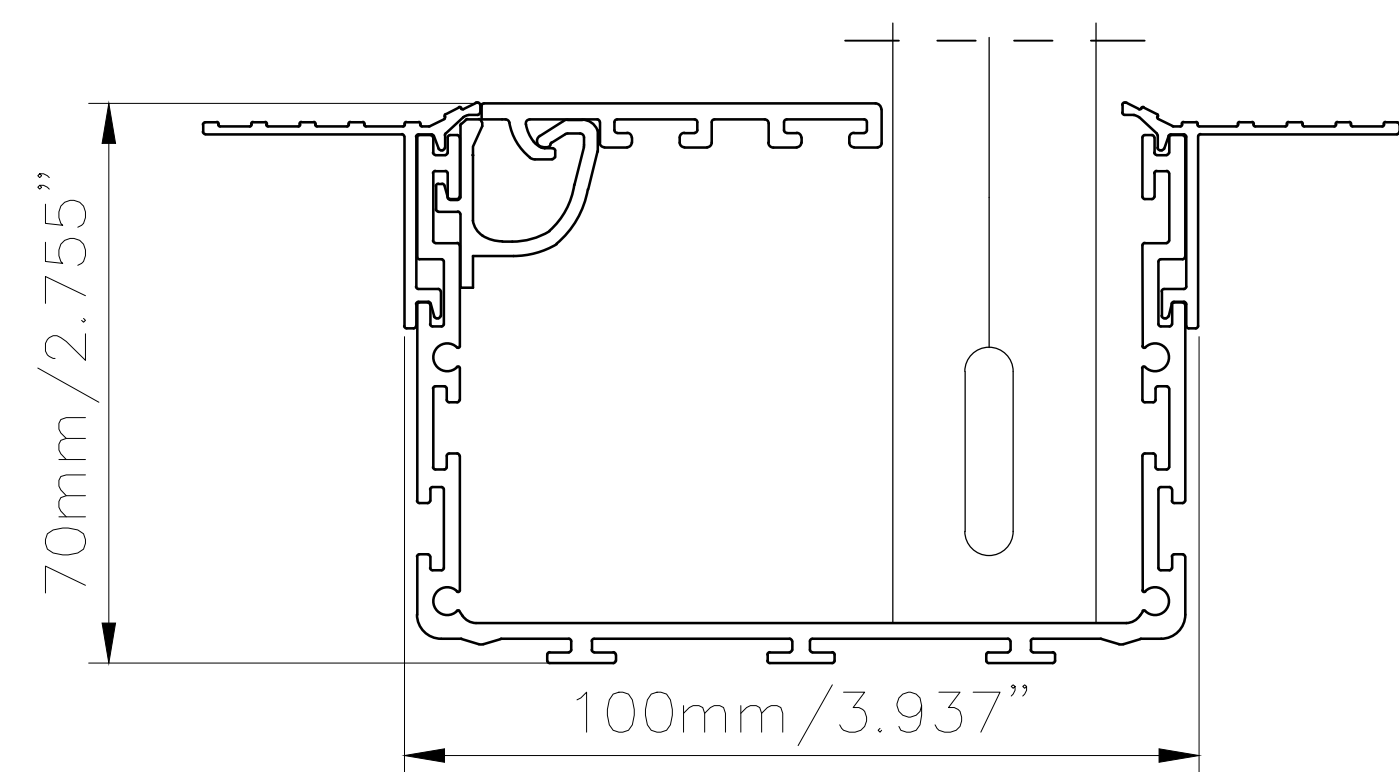
HEAD BOX M100x100



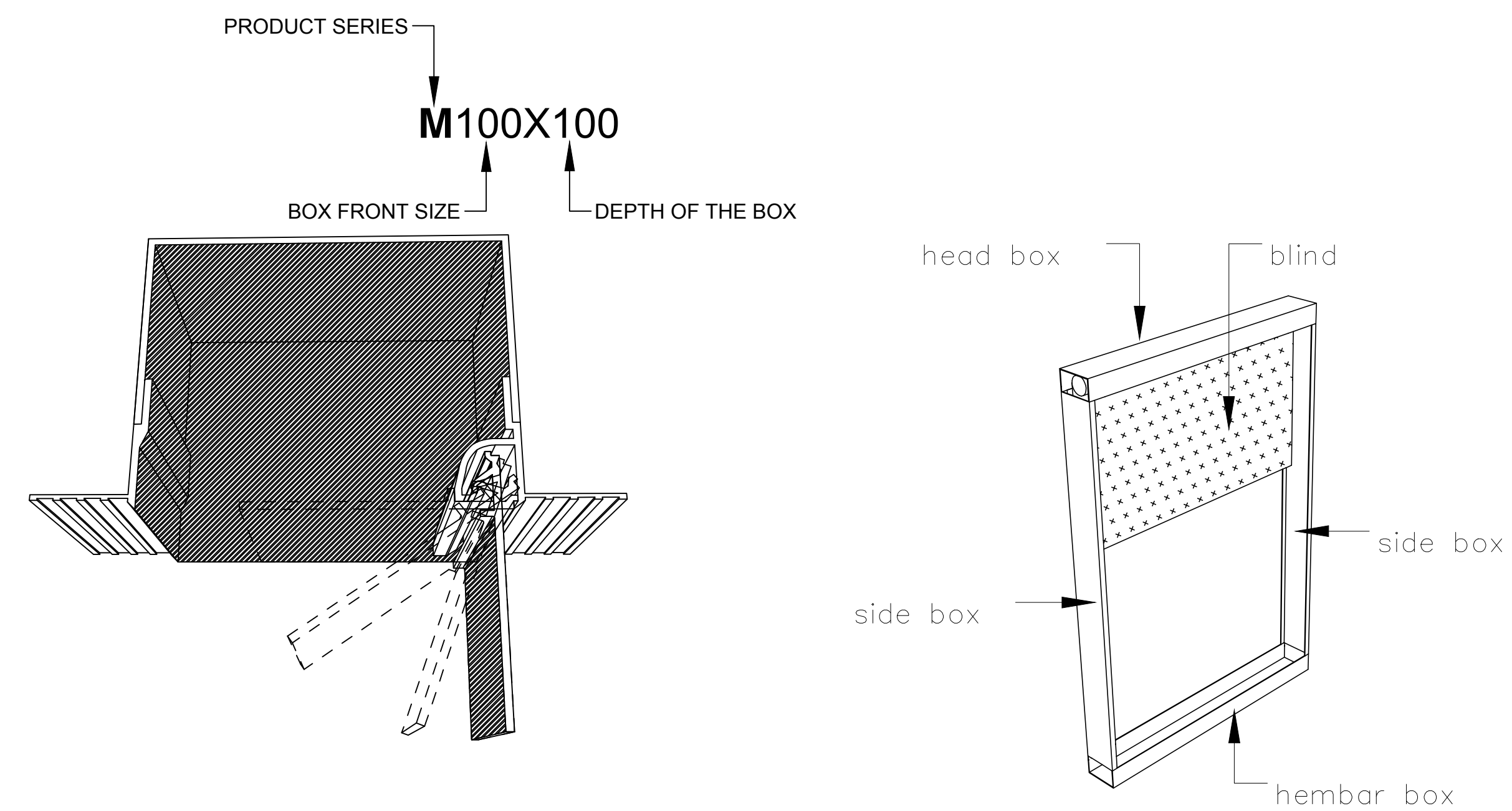
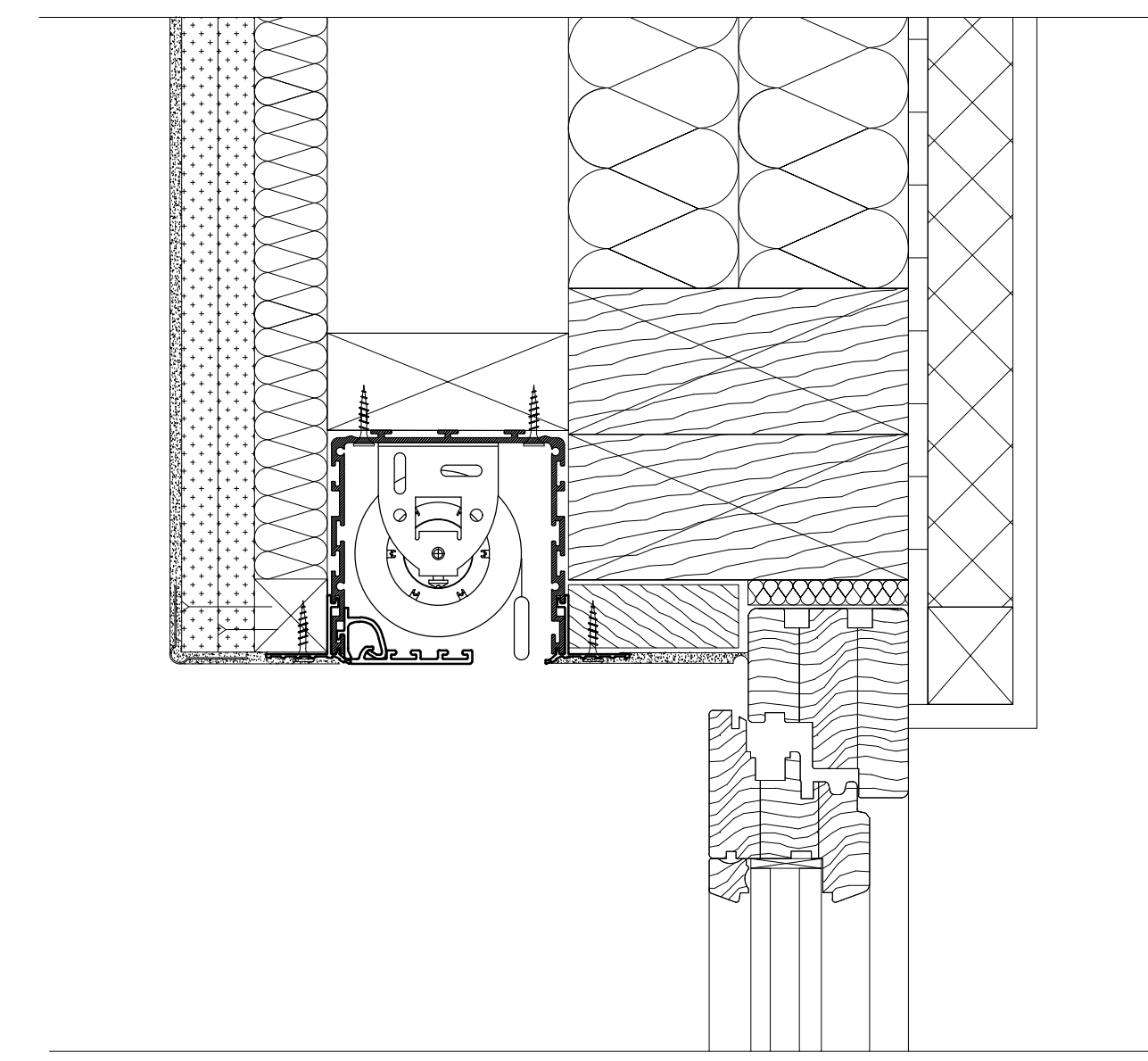
SIDE BOX M100x70 (OPTIONAL)



HEM BAR BOX M100x70 (OPTIONAL)

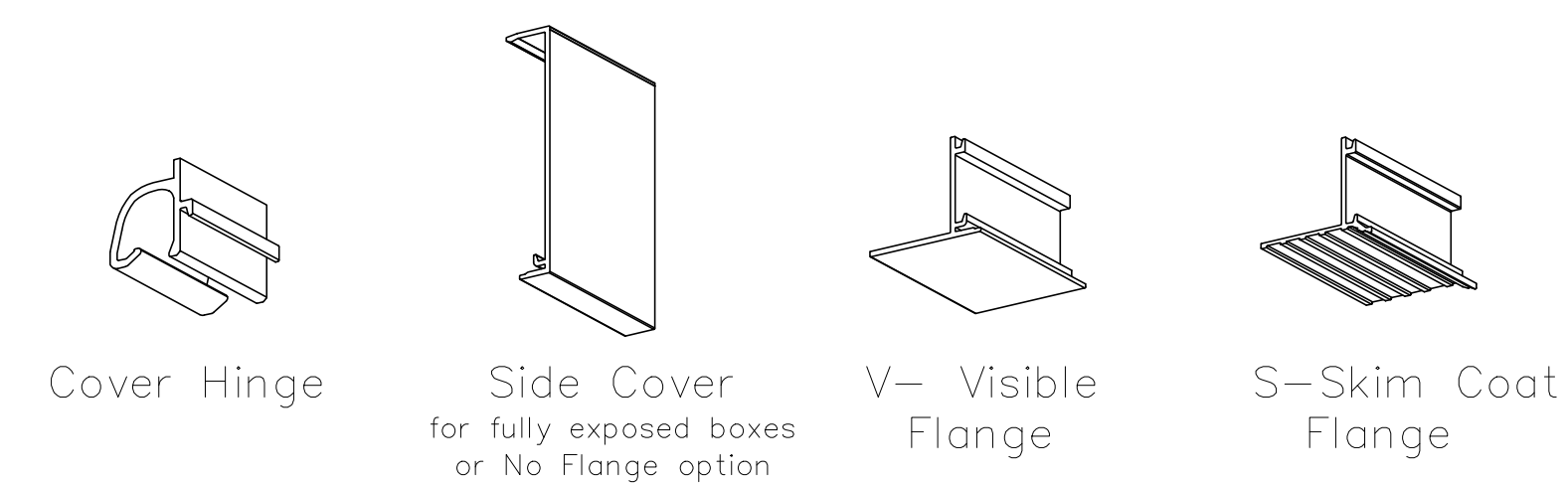


SAMPLE INSTILLATION DETAIL



MODULAR COMPONENTS

System composes of interlocking modules secured with grub screws (grub screws not shown for clarity). All modules can be flipped (mirrored) for left and right side use. Additional modules and covers variations available. Various configuration possible.



**Light & Shade**  
SOLUTIONS

BY: LIGHT AND SHADE SOLUTIONS  
LIGHTANDSHADESOLUTIONS.NET  
BRIAN TONOLE  
OFFICE: 1-877-587-4233  
EMAIL :  
SALES@LIGHTANDSHADESOLUTIONS.NET

**PRODUCT:**  
M 100X100 & M 100X70  
**DESCRIPTION:**  
RECESSED BOX WITH OPTIONAL FLANGES AND HINGED COVER TO CONCEAL BLINDS FLUSH WITH WALL OR CEILING FINISHED SURFACE.

**MATERIAL:**  
ANODIZED ALUMINUM EN 6063 T6,  
POWDER COATED MODULAR COMPONENTS

**FINISHES:**  
PROVIDED IN RAL 9016 (WHITE),  
OPTIONAL POWDER COATING TO  
OTHER RAL COLORS AVAILABLE.

**BLIND SIZES TO FIT INSIDE OF BOX:**  
ROLLER 64 OR SMALLER

**INSTALLATION:**  
BOXES TO BE FIXED WITH COUNTERSINK SCREWS EVERY 200MM THROUGH BACK AND BOTH FLANGES WHEN AVAILABLE INTO APPROPRIATE BACKING. SCIM TAPE TO BE USED ON FLANGES. FINISHED PLASTER LEVEL TO BE FLUSH WITH COVER. ALLOW 3MM RECESS SPACE FOR EASE OF INSTALLATION, SHOWN IN DASH LINE AROUND BOXES

**ITEM NAMES:**  
BLINDSPACE M100X100, M100X70

**SHEET #:**  
M2.1