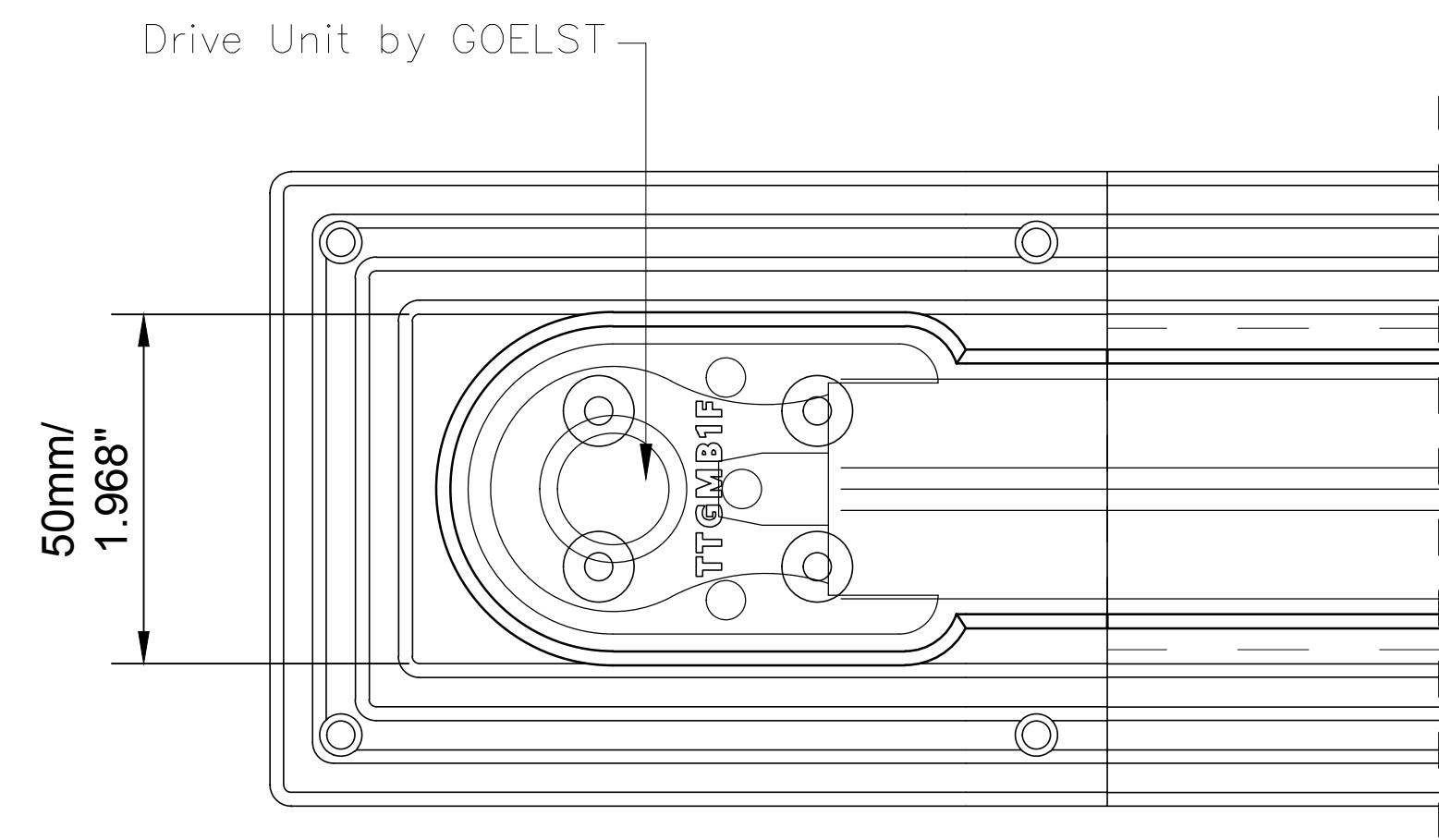
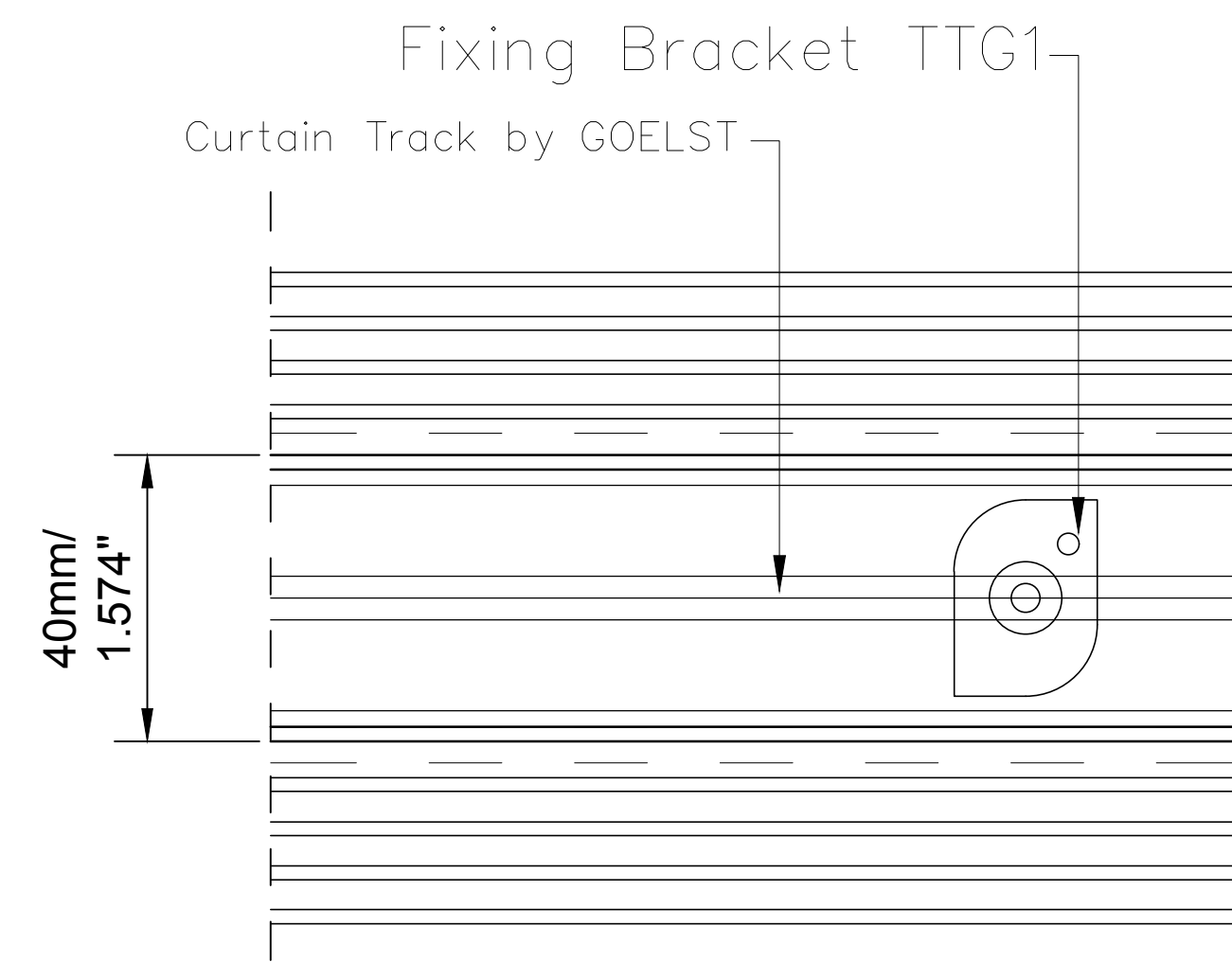


TrackTrim®  
for GOELST 6200 Curtain Track

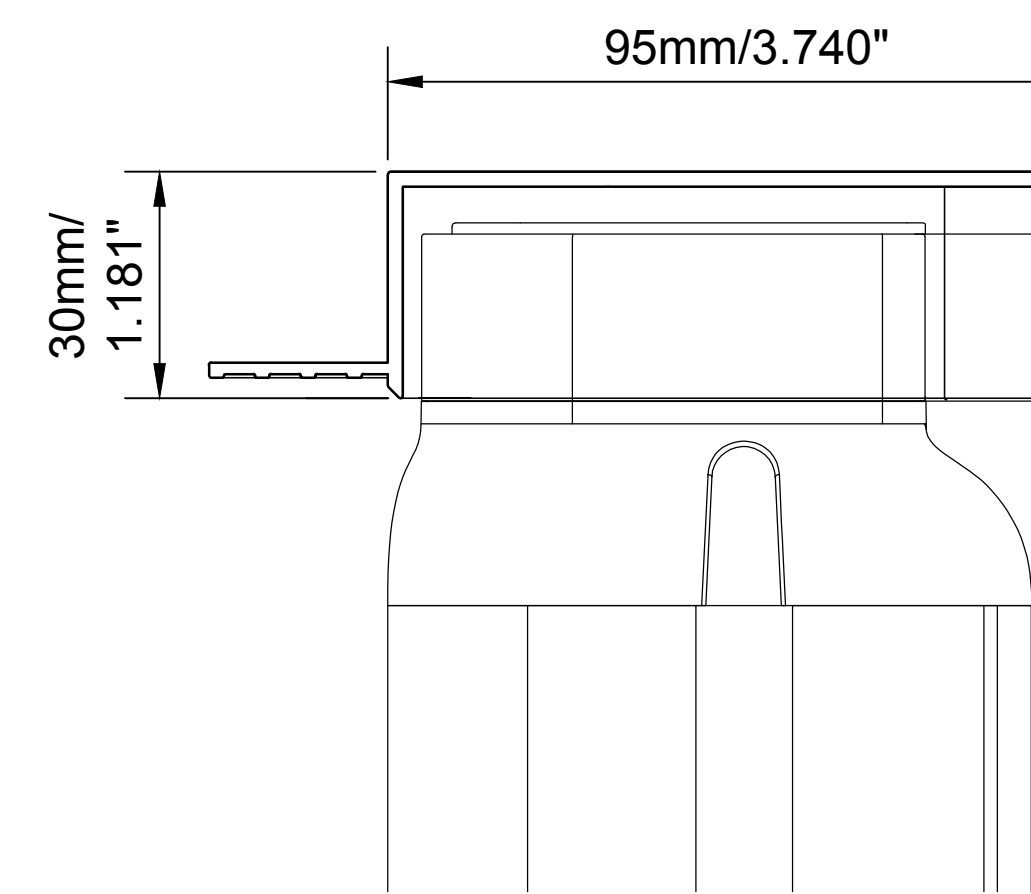
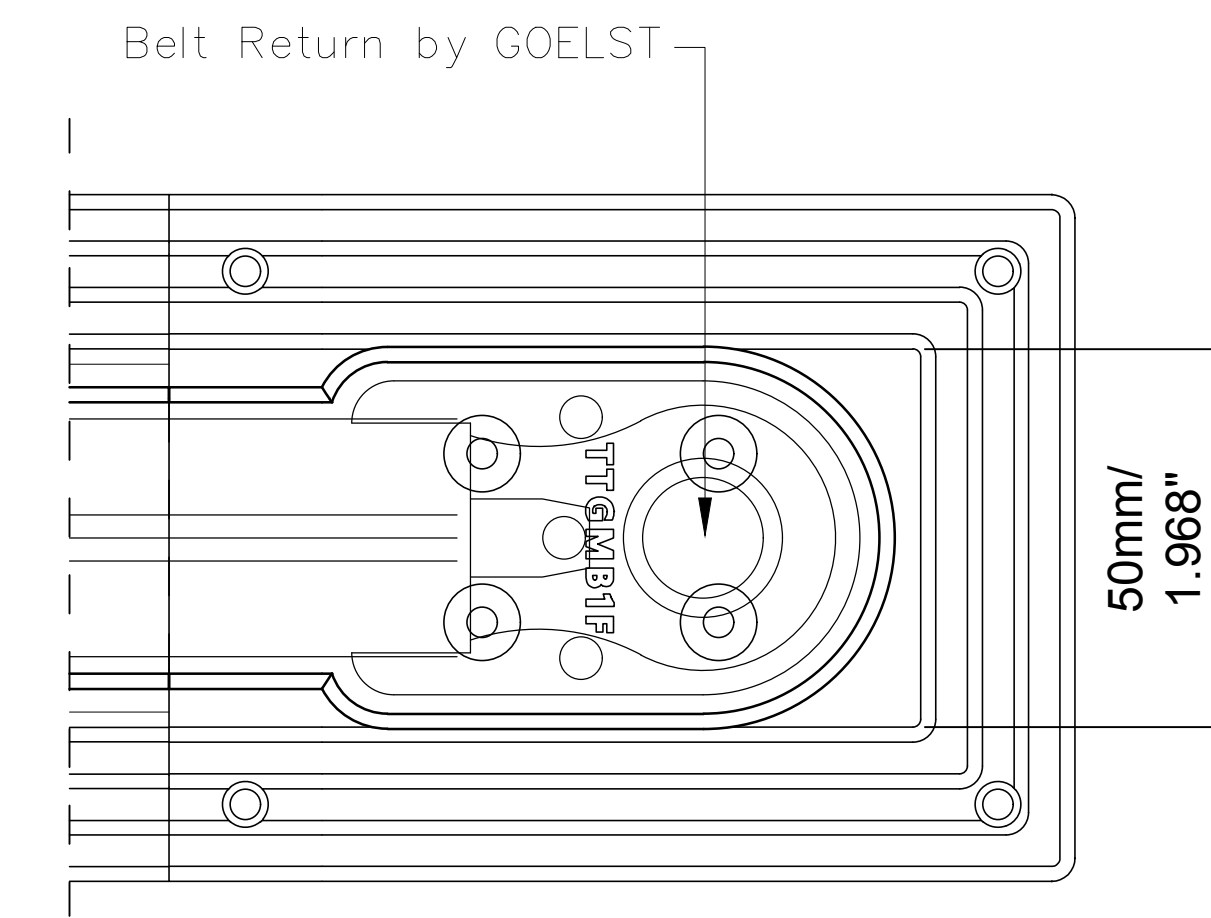
MOTOR BOX TTGMB1F



TRACK PROFILE TT1F/TT2F

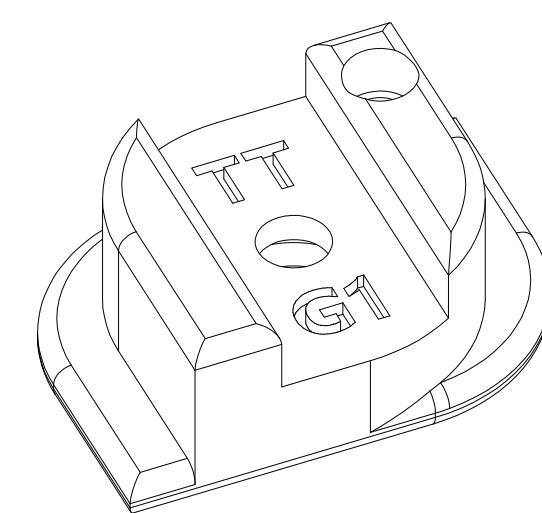


RETURN BOX TTGRB1F



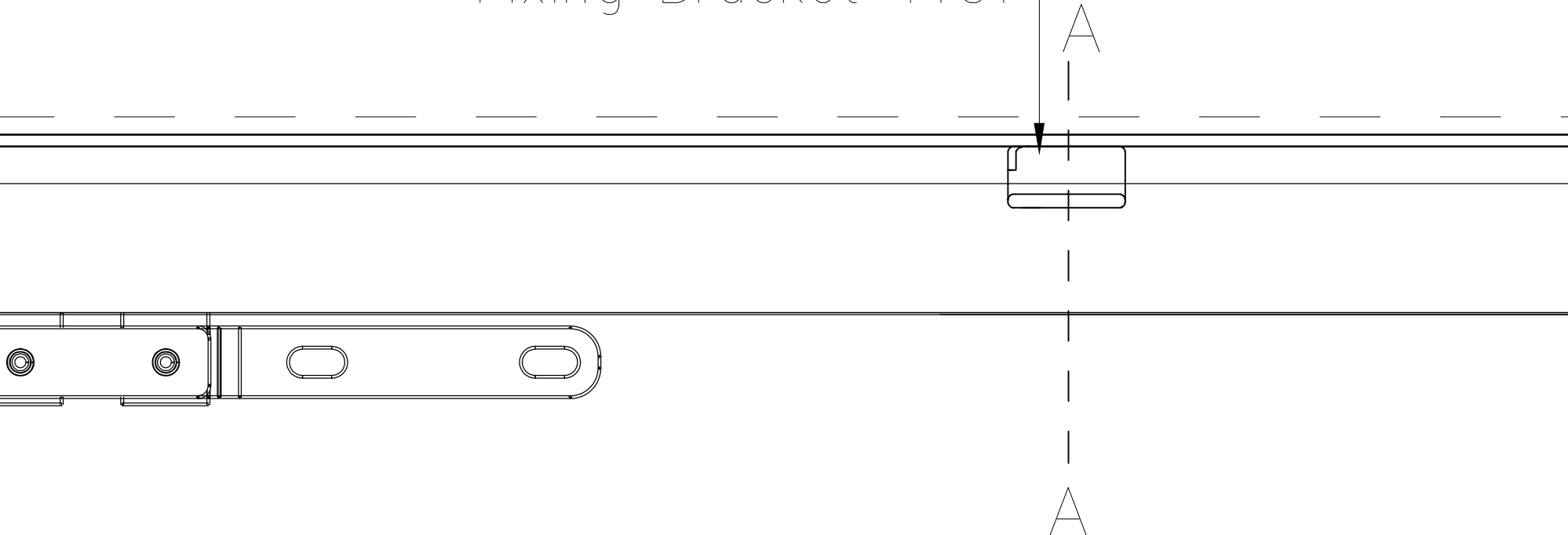
FIXING BRACKET

TTG1 – Fixing Bracket



Fixing Bracket for drapery track can be used with both types TT1F & TT2F of TrackTrim profiles.

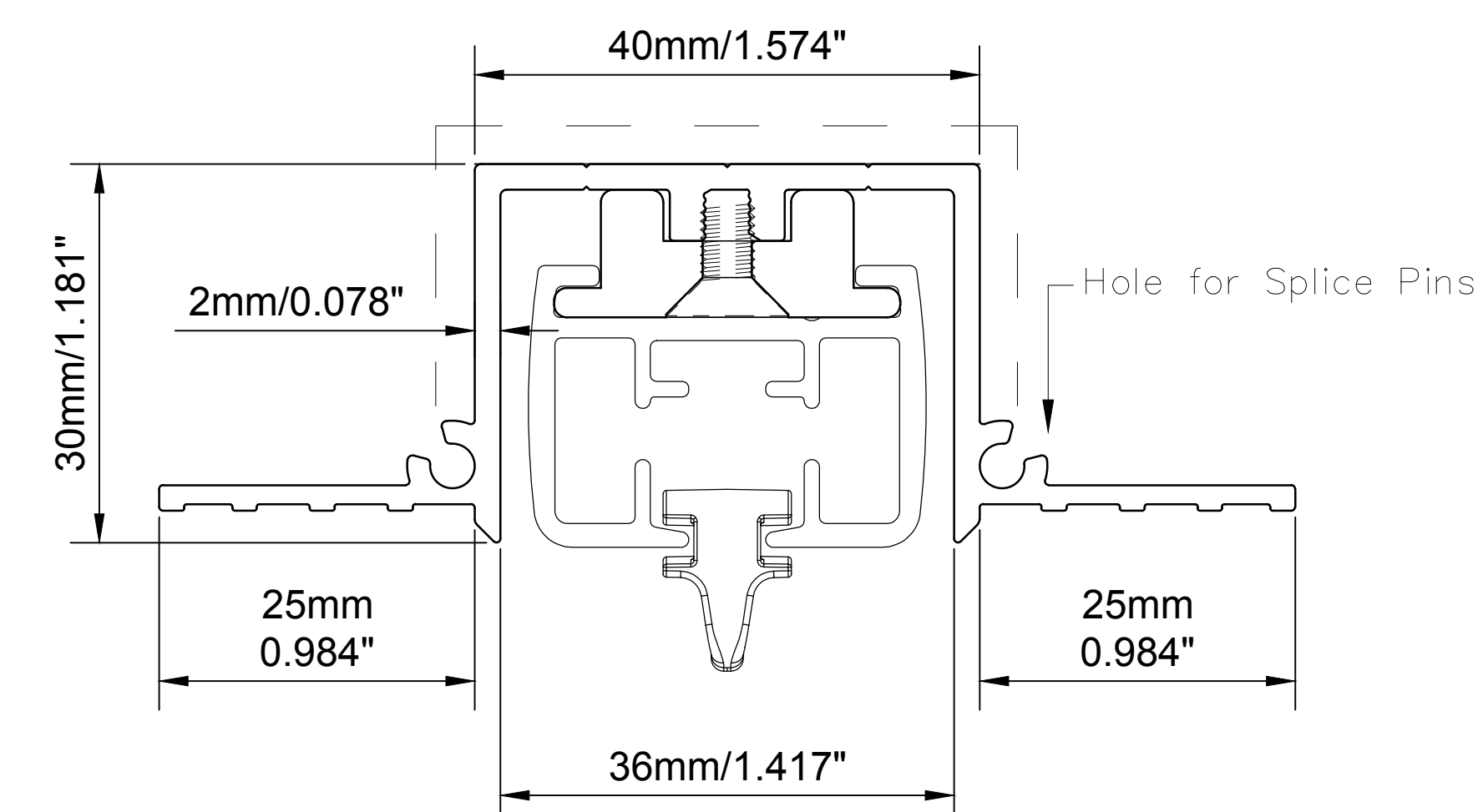
Fixing Bracket TTG1



SECTION A-A TT1F PROFILE

SCALE 2:1

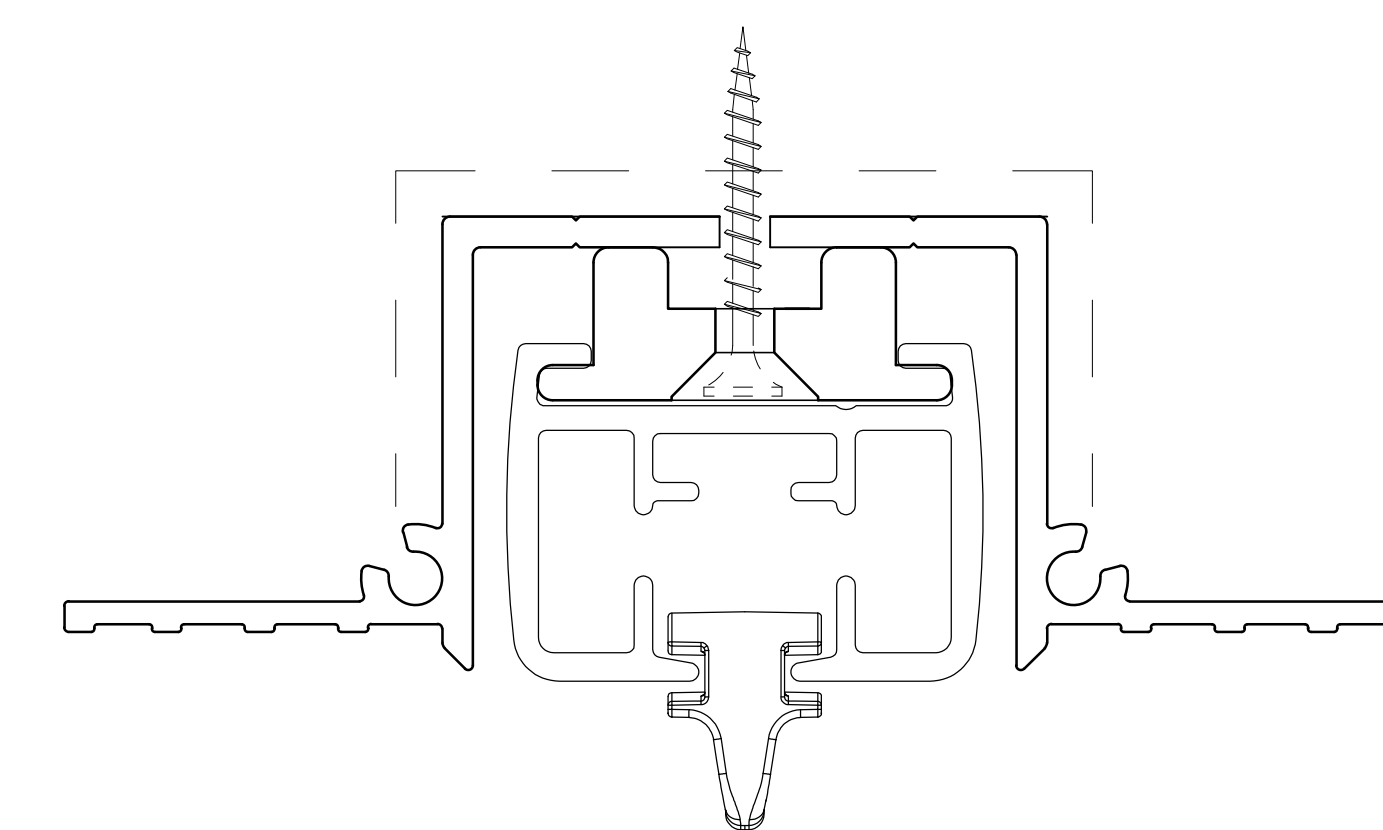
TT1F – Track with Screw Channel, possible Screw-Through Fixing



SECTION A-A TT2F PROFILE (OPTIONAL)

SCALE 2:1

TT2F – Track for Screw-Through Fixing



SCALE: 1:1

Light & Shade  
SOLUTIONS

BY: LIGHT AND SHADE SOLUTIONS  
LIGHTANDSHADESOLUTIONS.NET  
BRIAN TONOLE  
OFFICE: 1-877-587-4233  
EMAIL: SALES@LIGHTANDSHADESOLUTIONS.NET

PRODUCT: TRACKTRIM FOR GOELST 6200  
DESCRIPTION: RECESSED PROFILES TO HOUSE CURTAIN TRACKS.

MATERIAL:  
TRACK EN 6063 T6  
END SET PLA THERMOPLASTIC POLYESTER

FINISHES:  
WHITE TO BE PLASTERED IN AND DECORATED AT SITE TO MATCH CEILING

TRACK LENGTH:  
2000MM  
CUT TO SIZE FOR SHORTER LENGTHS.  
SPliced TOGETHER FOR LONGER LENGTHS.

INSTALLATION:  
TRACKS TO BE FIXED WITH COUNTERSINK SCREWS EVERY 200MM THROUGH BACK (AND BOTH FLANGES WHEN AVAILABLE) INTO APPROPRIATE BACKING. SCRM TAPE TO BE USED ON FLANGES. FINISHED PLASTER LEVEL TO BE FLUSH WITH CHAMFERED EDGE. ALLOW 3MM RECESS SPACE FOR EASE OF INSTALLATION. SHOWN IN DASH LINE AROUND TRACKS.

ITEM NAMES:  
BLINDSPACE FOR GOELST 6200 CURTAIN TRACK  
TRACKS: TT1F/TT2F  
END-SETS: TTGMB1F/TTGRB1F  
FIXING BRACKET: TTG1  
EXAMPLE: TT1F WITH TTGMB1F & TTGRB1F

SHEET #:

T7.0