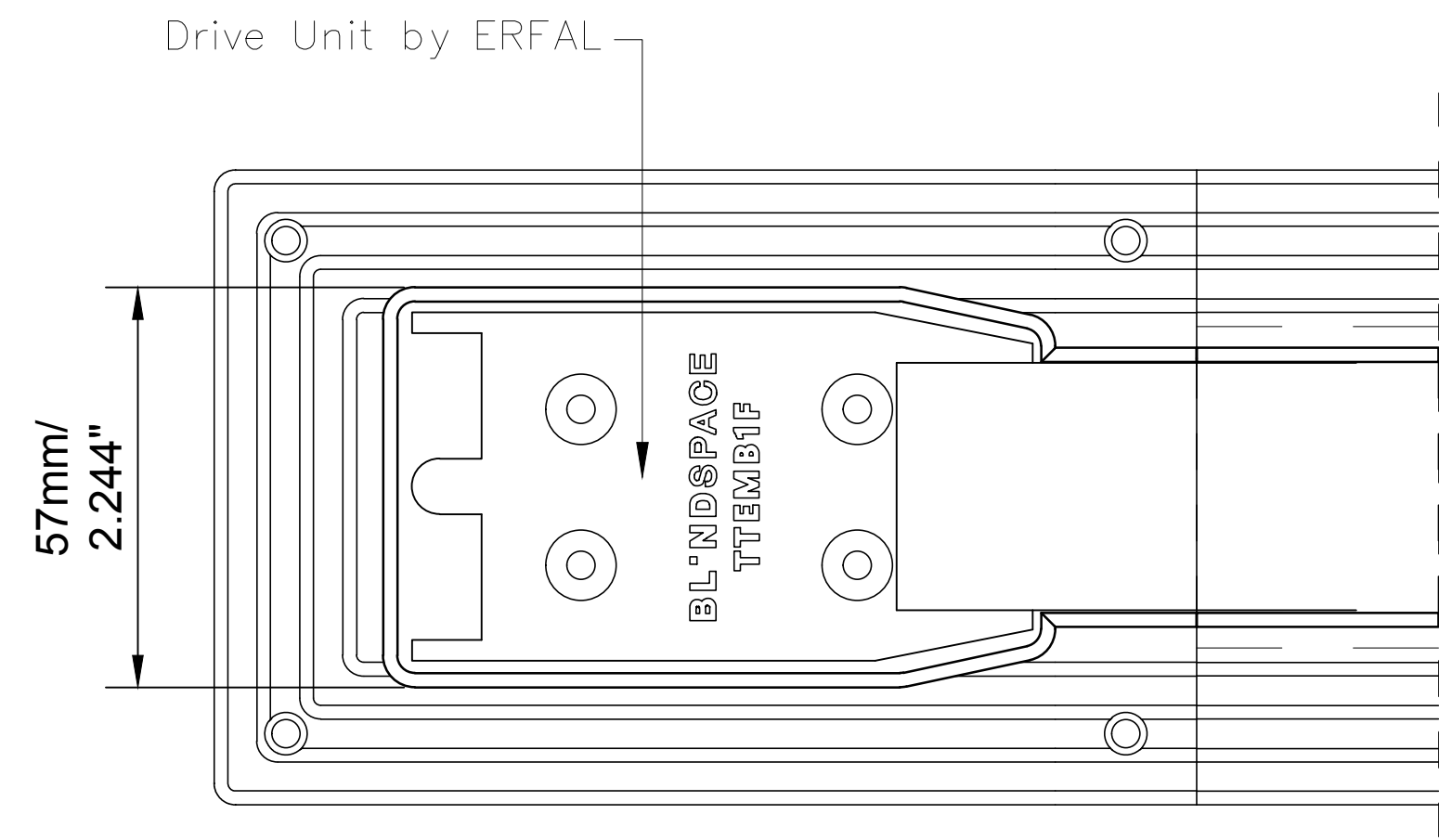
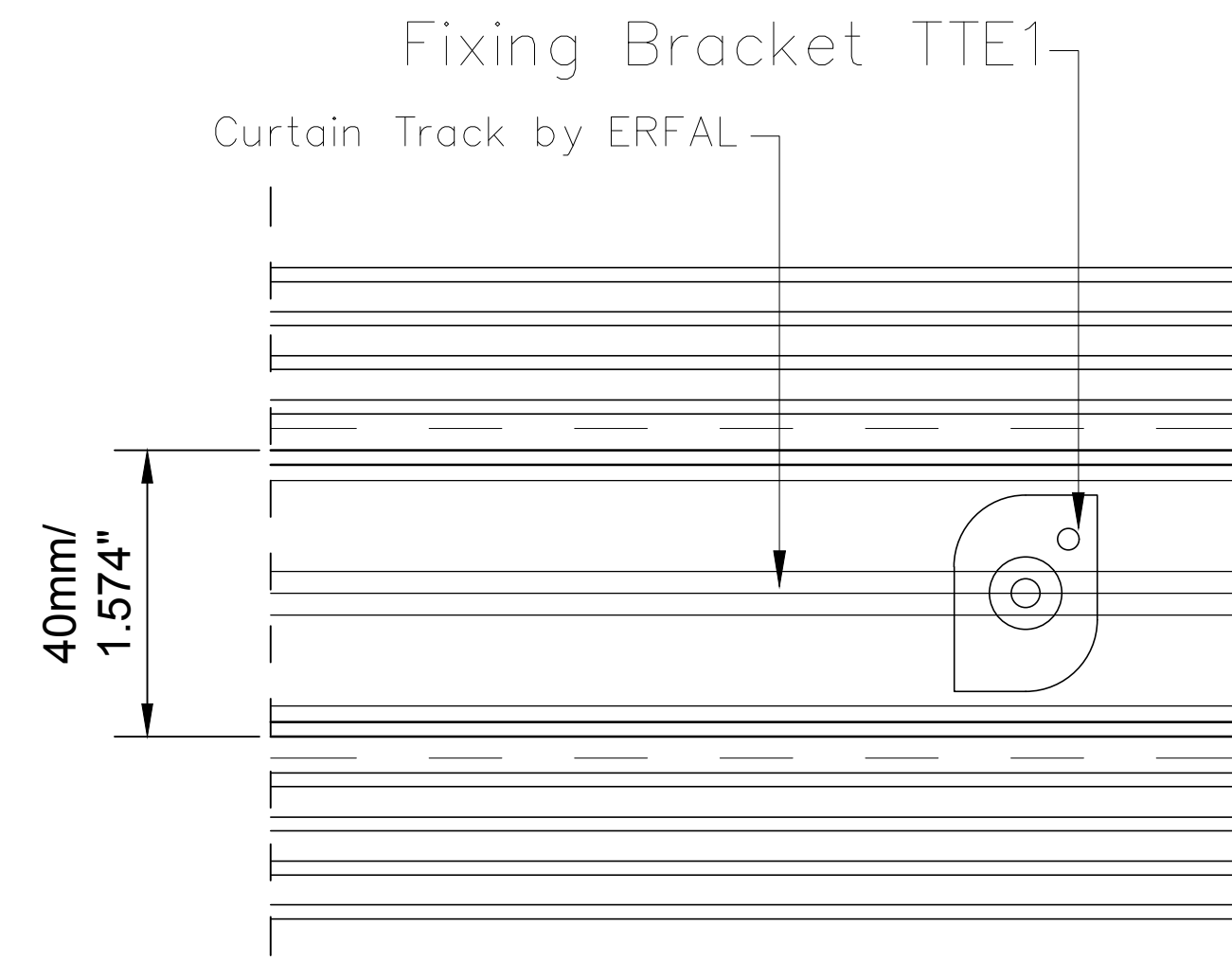


TrackTrim®
for ERFAL 9500 Curtain Track

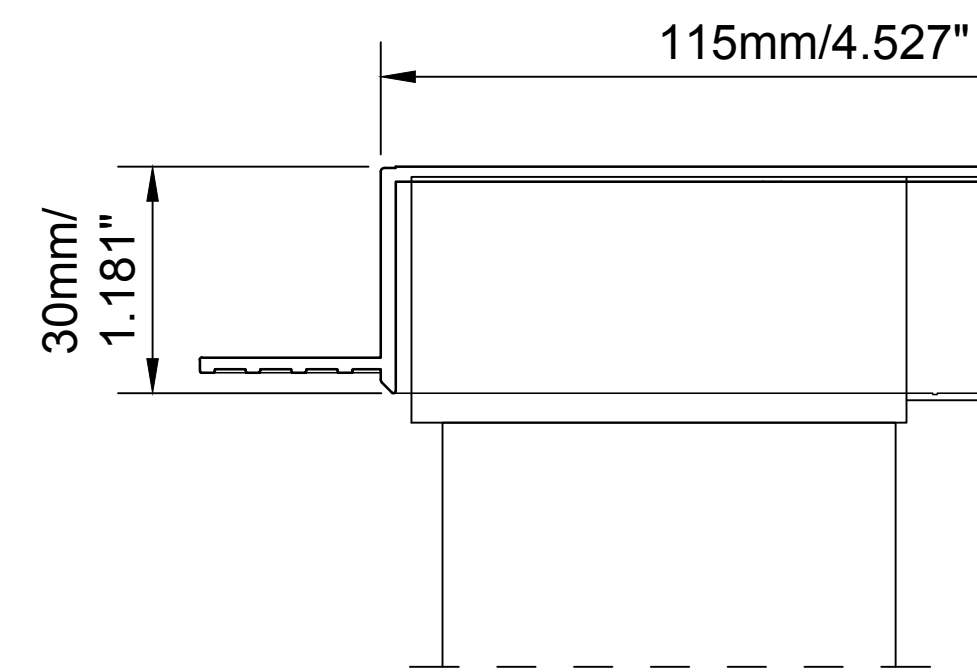
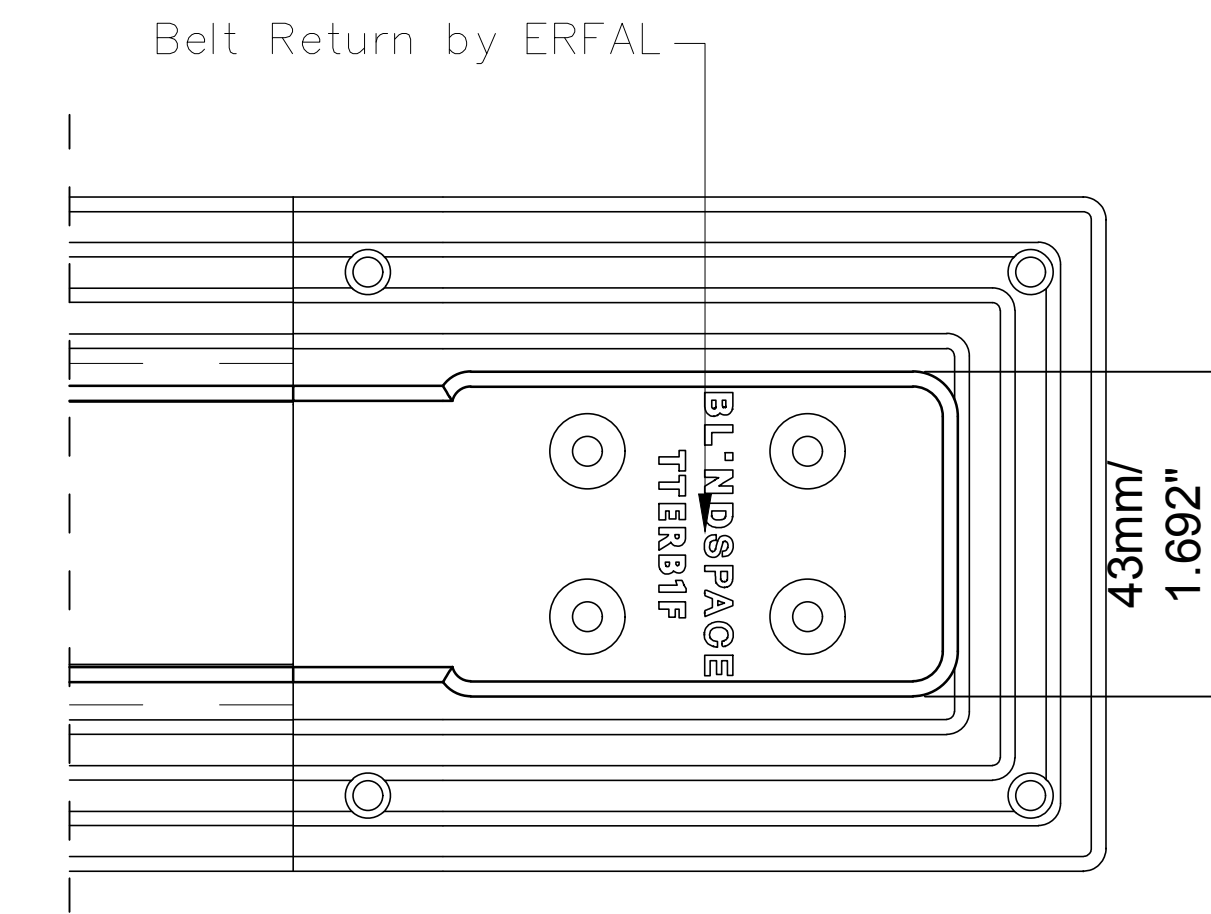
MOTOR BOX TTEMB1F



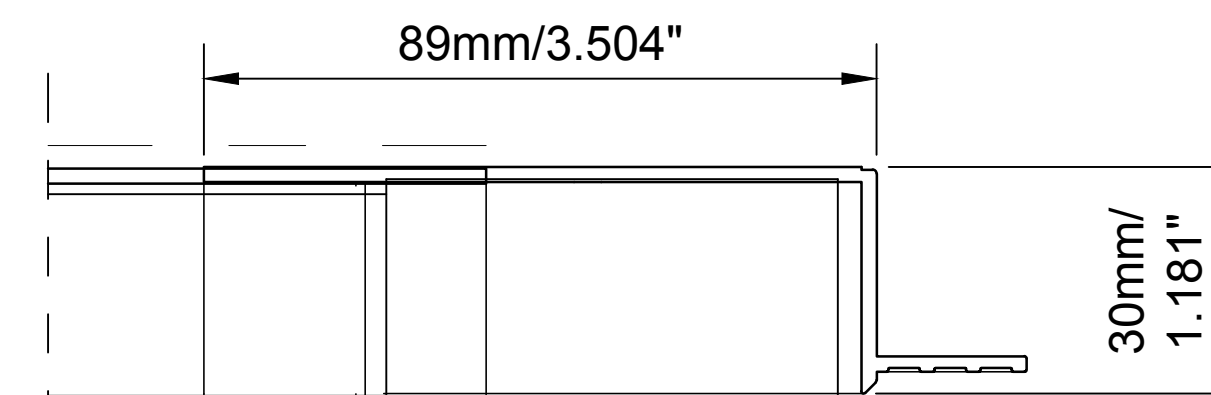
TRACK PROFILE TT1F/TT2F



RETURN BOX TTERB1F

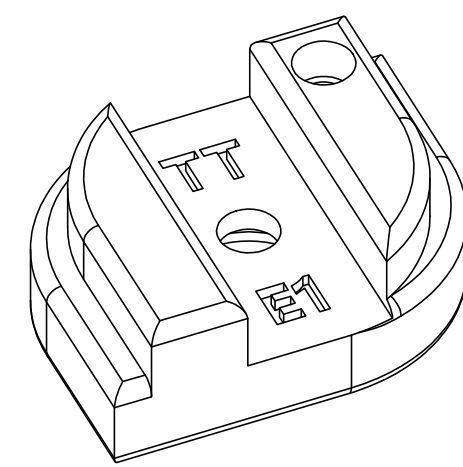


Fixing Bracket TTE1



FIXING BRACKET

TTE1 – Fixing Bracket

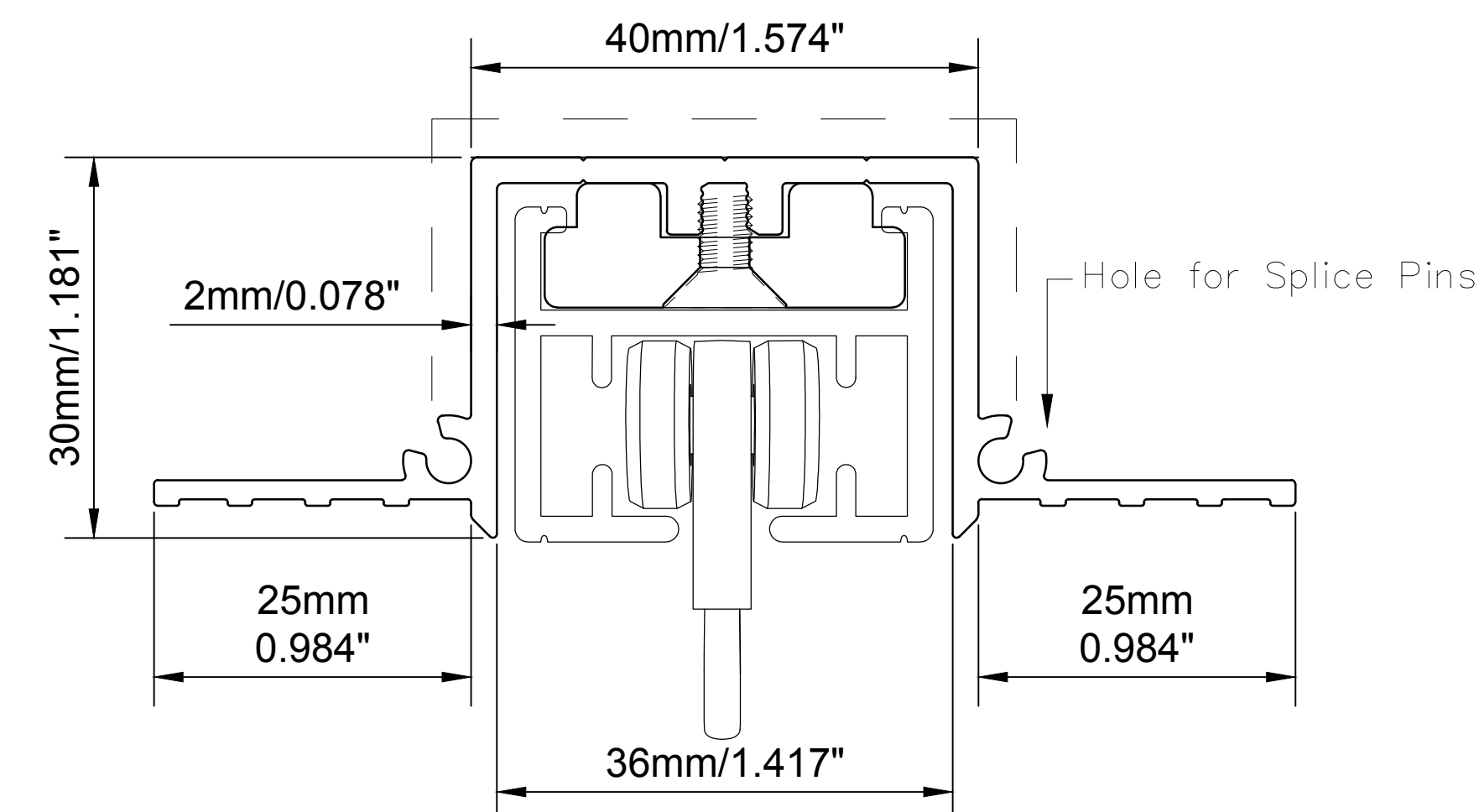


Fixing Bracket for drapery track can be used with both types TT1F & TT2F of TrackTrim profiles.

SECTION A-A TT1F PROFILE

SCALE 2:1

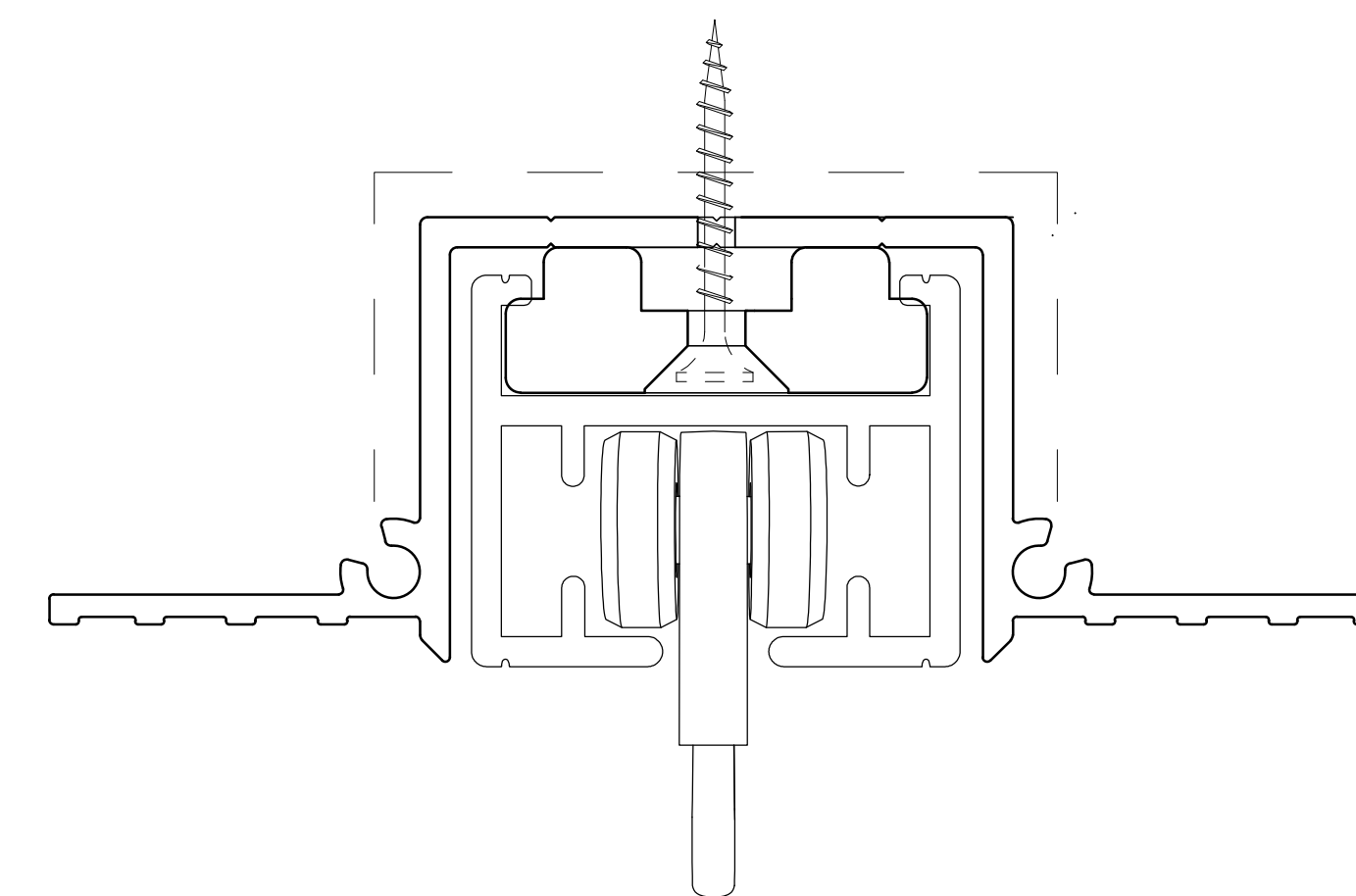
TT1F – Track with Screw Channel, possible Screw-Through Fixing



SECTION A-A TT2F PROFILE (OPTIONAL)

SCALE 2:1

TT2F – Track for Screw-Through Fixing



SCALE: 1:1

Light & Shade SOLUTIONS

BY: LIGHT AND SHADE SOLUTIONS
LIGHTANDSHADESOLUTIONS.NET
BRIAN TONOLE
OFFICE: 1-877-587-4233
EMAIL: SALES@LIGHTANDSHADESOLUTIONS.NET

PRODUCT: TRACKTRIM FOR ERFAL 9500

DESCRIPTION: RECESSED PROFILES TO HOUSE CURTAIN TRACKS.

MATERIAL: TRACK EN 6063 T6, END SET PLA THERMOPLASTIC POLYESTER

FINISHES: WHITE TO BE PLASTERED IN AND DECORATED AT SITE TO MATCH CEILING

TRACK LENGTH: 2000MM CUT TO SIZE FOR SHORTER LENGTHS, SPLICED TOGETHER FOR LONGER LENGTHS.

INSTALLATION: TRACKS TO BE FIXED WITH COUNTERSINK SCREWS EVERY 200MM THROUGH BACK (AND BOTH FLANGES WHEN AVAILABLE) INTO APPROPRIATE BACKING. SCRM TAPE TO BE USED ON FLANGES. FINISHED PLASTER LEVEL TO BE FLUSH WITH CHAMFERED EDGE. ALLOW 3MM RECESS SPACE FOR EASE OF INSTALLATION, SHOWN IN DASH LINE AROUND TRACKS.

ITEM NAMES: BLINDSPACE FOR ERFAL 9500 CURTAIN TRACK TRACKS: TT1F/TT2F END-SETS: TTEMB1F/TTERB1F FIXING BRACKET: TTE1 EXAMPLE: TT1F WITH TTEMB1F & TTERB1F

SHEET #: T8.0