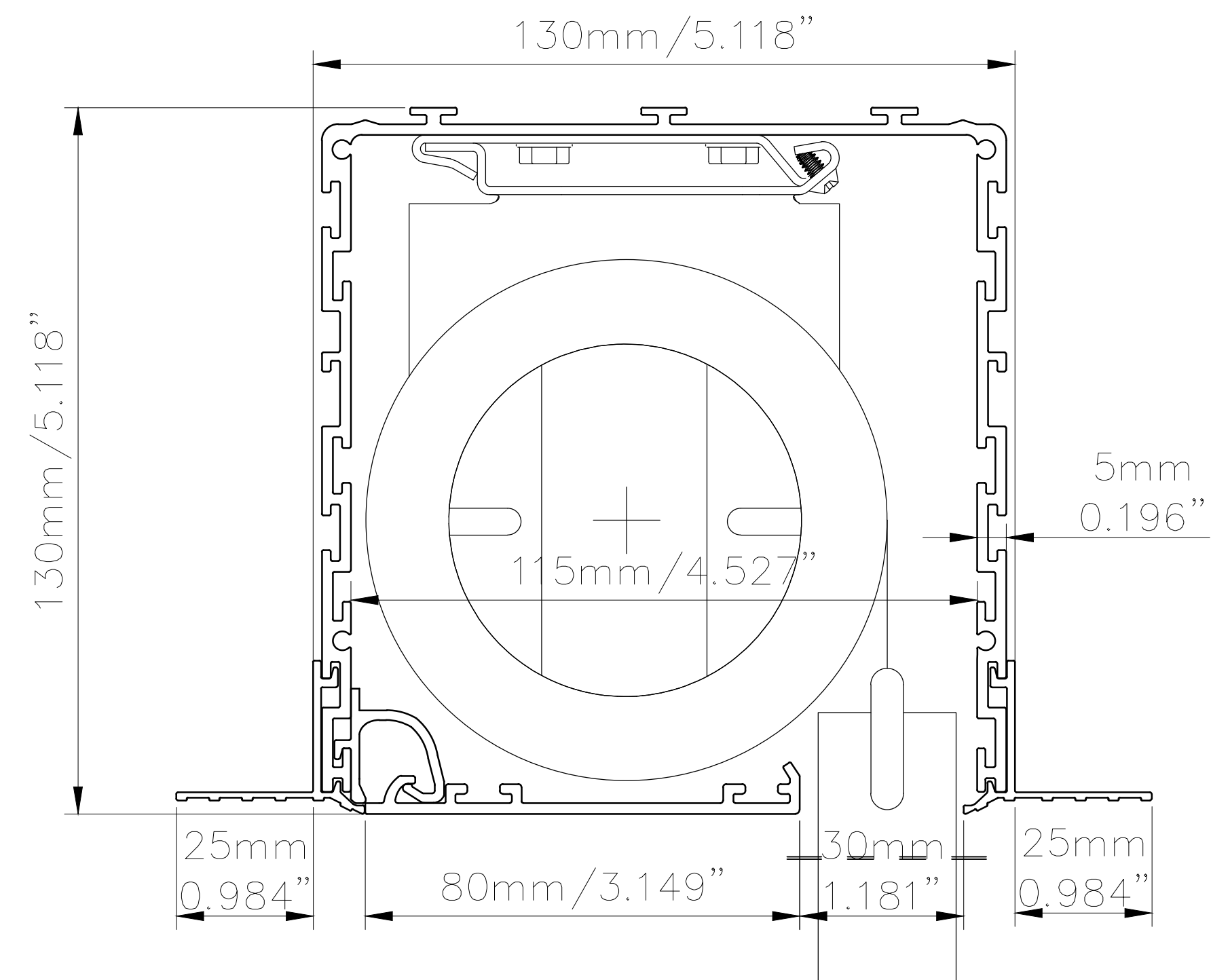
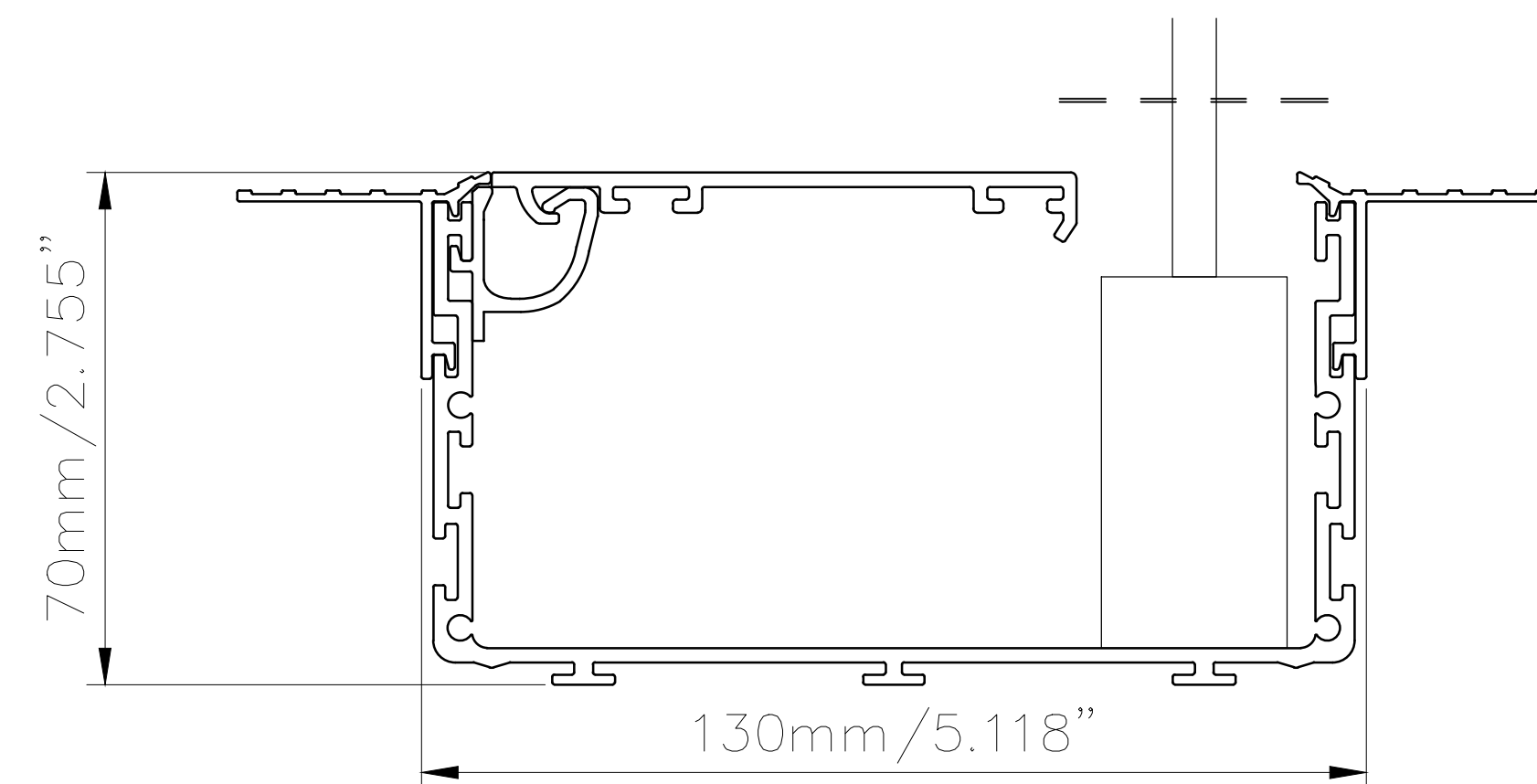


M130x130
for LUTRON R100 – Roller Blind

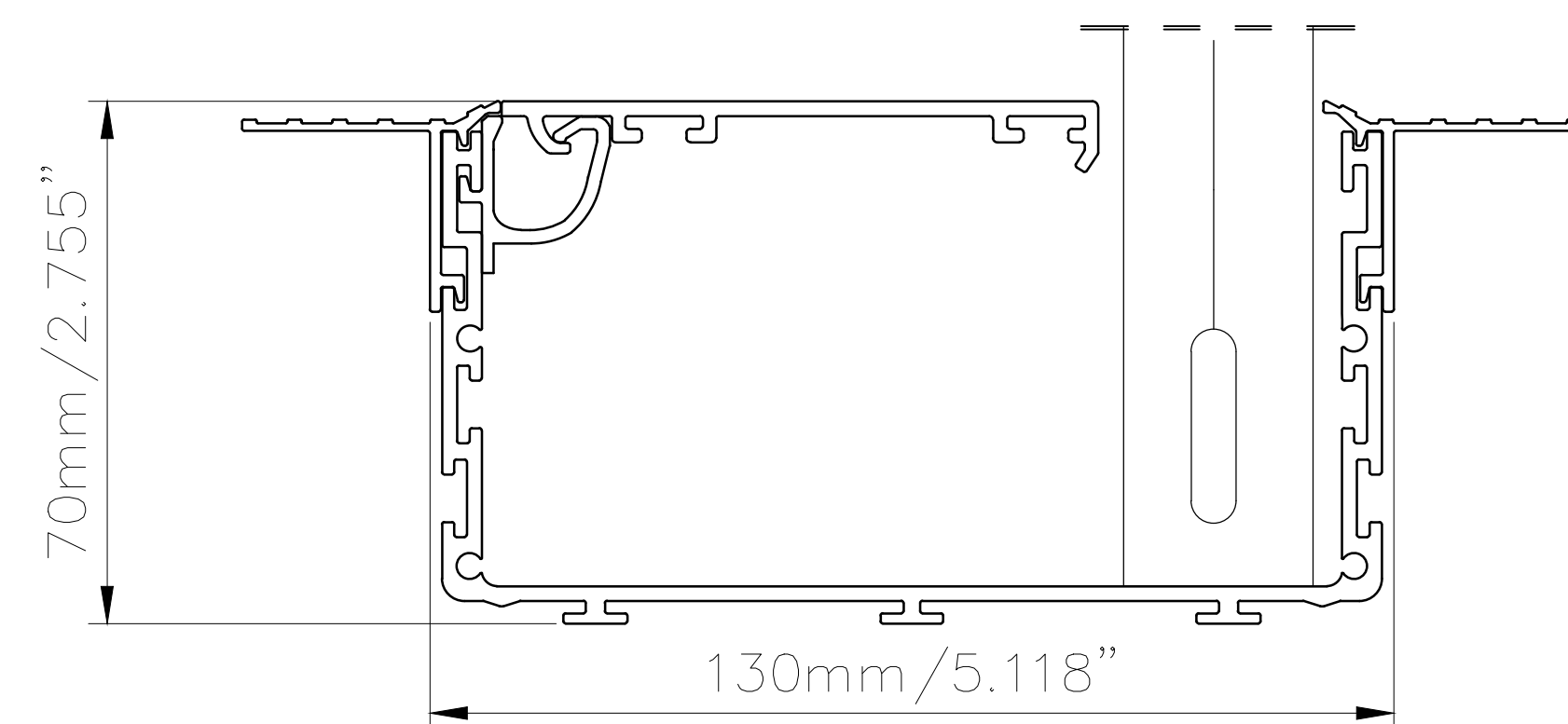
HEAD BOX M130x130



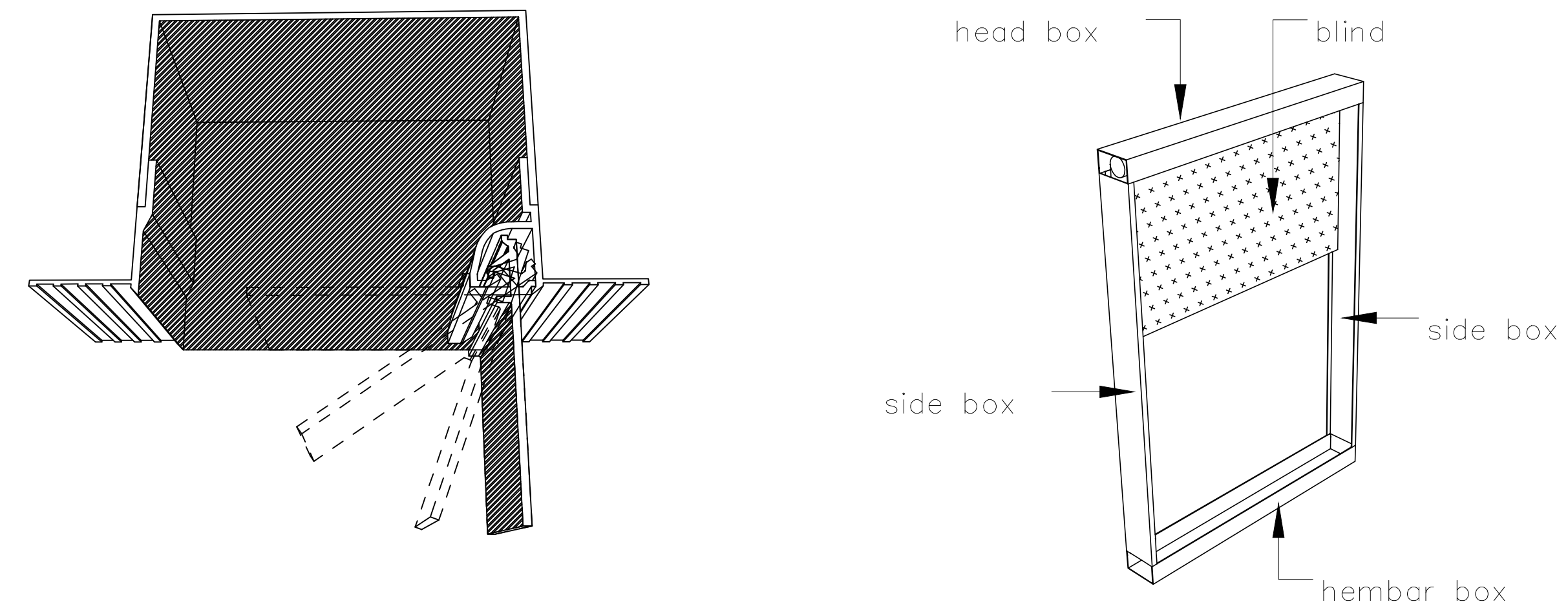
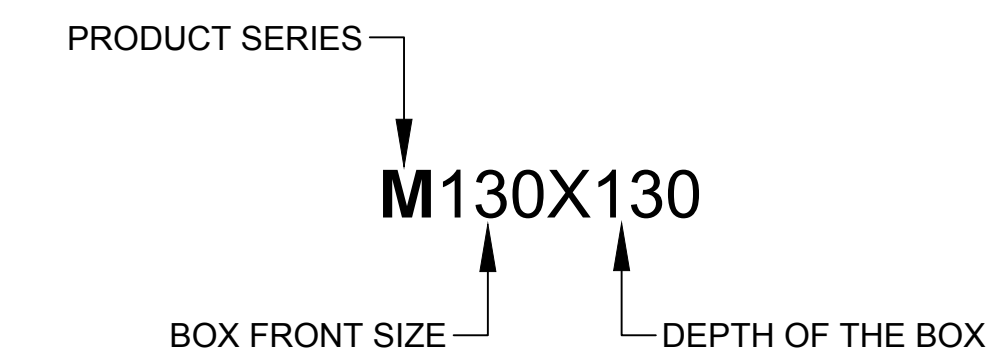
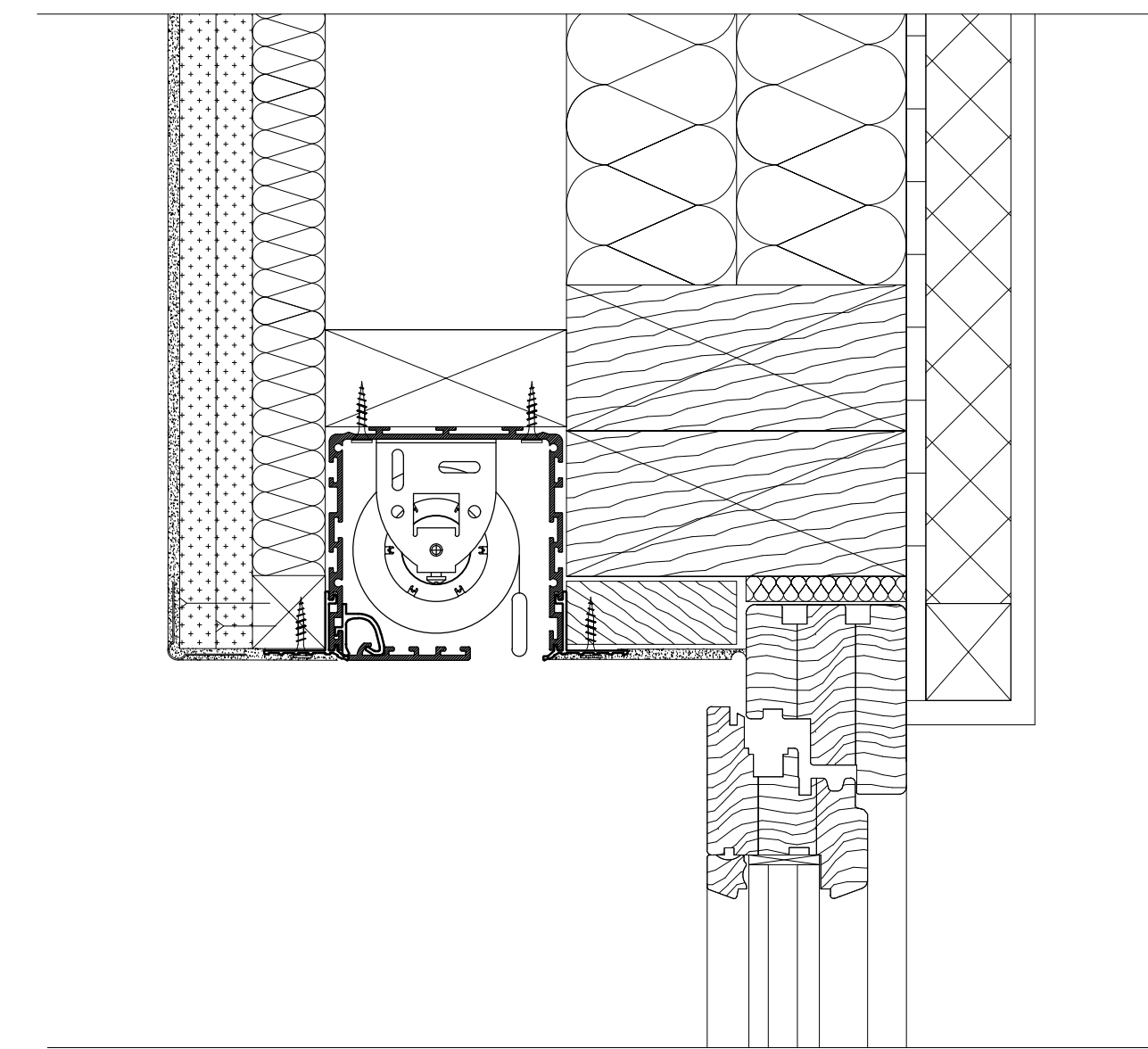
SIDE BOX M130x70 (OPTIONAL)



HEM BAR BOX M130x70 (OPTIONAL)

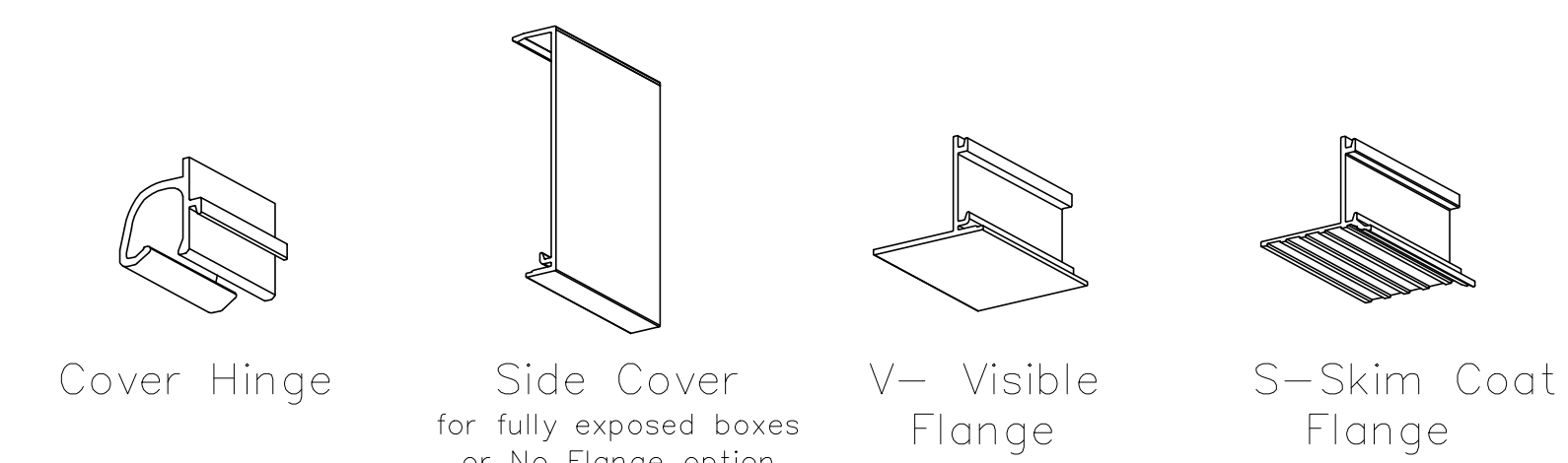


SAMPLE INSTILLATION DETAIL



MODULAR COMPONENTS

System composes of interlocking modules secured with grub screws (grub screws not shown for clarity).
All modules can be flipped (mirrored) for left and right side use.
Additional modules and covers variations available.
Various configuration possible.



Light & Shade
SOLUTIONS

BY: LIGHT AND SHADE SOLUTIONS
LIGHTANDSHADESOLUTIONS.NET
BRIAN TONOLE
OFFICE: 1-877-587-4233
EMAIL: SALES@LIGHTANDSHADESOLUTIONS.NET

PRODUCT: **M 130X130 & M130X70**

DESCRIPTION:
RECESSED BOX WITH OPTIONAL FLANGES AND HINGED COVER TO CONCEAL BLINDS FLUSH WITH WALL OR CEILING FINISHED SURFACE.

MATERIAL:
ANODIZED ALUMINUM EN 6063 T6, POWDER COATED MODULAR COMPONENTS

FINISHES:
PROVIDED IN RAL 9016 (WHITE)
OPTIONAL POWDER COATING TO OTHER RAL COLORS AVAILABLE

BLIND SIZES TO FIT INSIDE OF BOX:
ROLLER150 WIDR OR SMALLER

INSTALLATION:
BOXES TO BE FIXED WITH COUNTER SUNK SCREWS EVERY 300MM THROUGH BACK (AND BOTH FLANGES WHEN AVAILABLE) INTO APPROPRIATE BACKING. SCREWS TAPE TO BE USED ON FLANGES. FINISHED PLASTER LEVEL TO BE FLUSH WITH COVER. ALLOW 3MM RECESS SPACE FOR EASE OF INSTALLATION. SHOWN IN DASH LINE AROUND BOXES

ITEM NAMES:
BLINDSPACE M130X130, M130X70

SHEET #:
M1.1