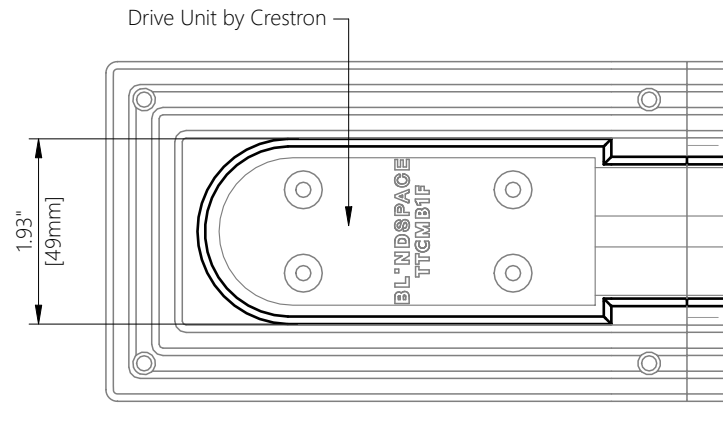


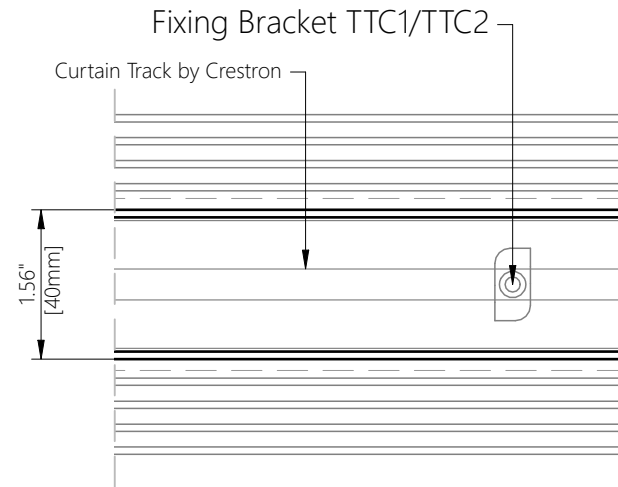
Blindspace TrackTrim®

for CRESTRON CSS-DRAPERY Curtain Track with motor end and return end

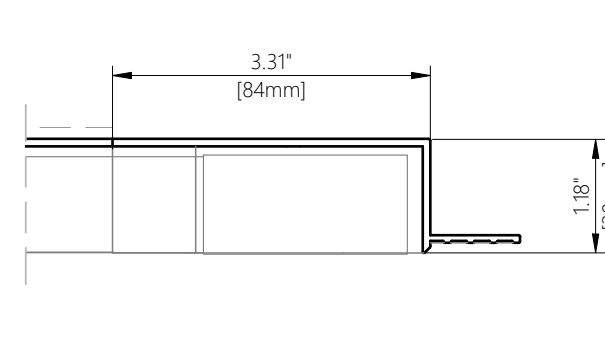
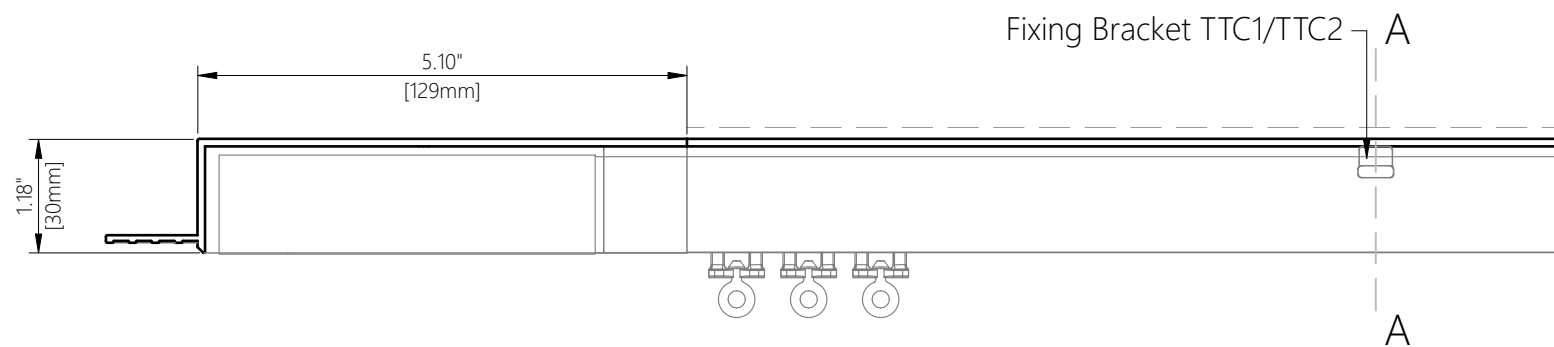
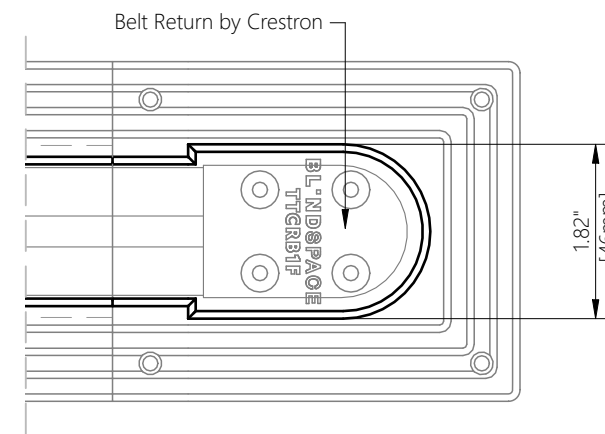
MOTOR BOX TTCMB1F



TRACK PROFILE TT1F/TT2F



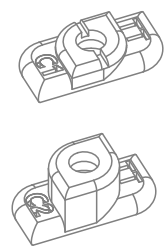
RETURN BOX TTCRB1F



6"-1' scale

FIXING BRACKET

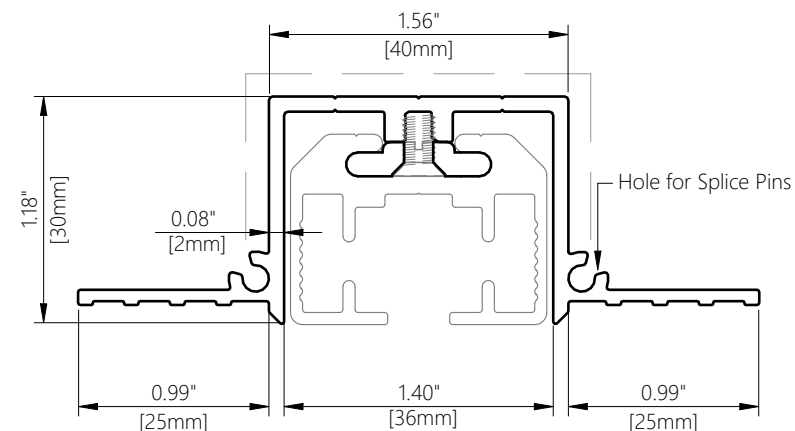
TTC1/TTC2 - Fixing Bracket



Fixing Brackets for drapery track,
TTC1 for TT1F TrackTrim profile,
TTC2 for TT2F TrackTrim profile.

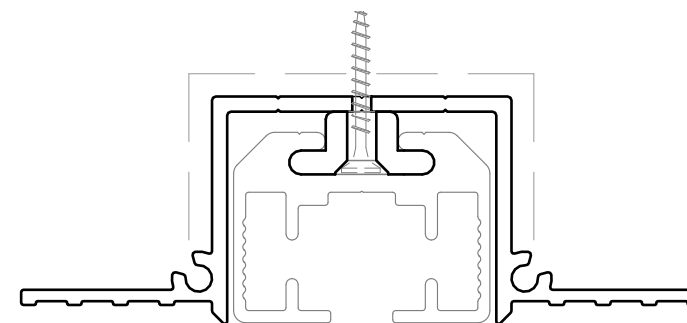
SECTION A-A TT1F PROFILE

TT1F - Track with Screw Channel, possible Screw-Through Fixing



SECTION A-A TT2F PROFILE (OPTIONAL)

TT2F - Track for Screw-Through Fixing



1"-1' scale full scale

| | |
|----------------------|--|
| Product | Blindspace TrackTrim |
| Description | Recessed profiles to house curtain tracks. |
| Curtain size | Please see size chart and supplier details for curtain such as max. length and weight. |
| Finishes | White to be plastered in and decorated at site to match ceiling. |
| Material | Track EN 6063 T6, End set PLA Thermoplastic Polyester |
| Optional accessories | Curve Sections for bent tracks Long Splice Pins for joining |
| Track length | 6'-74" [2000mm] Cut to size for shorter lengths. Spliced together for longer lengths. |
| Installation | Please refer to Sample Installation Drawings available both in PDF and DWG at blindspace.com Tracks to be fixed with countersunk screws every 7.87" [200mm] through back (and both flanges when available) into appropriate backing. Scrim tape to be used on flanges. Finished plaster level to be flush with chamfered edge. Allow 0.12" [3mm] recess space for ease of installation, shown in dash line around tracks |
| Print date | 2023/07/07 |
| Page size | ISO A3 420x297 |
| Print file | blindspace tracktrim with crst css [inch].dwg |