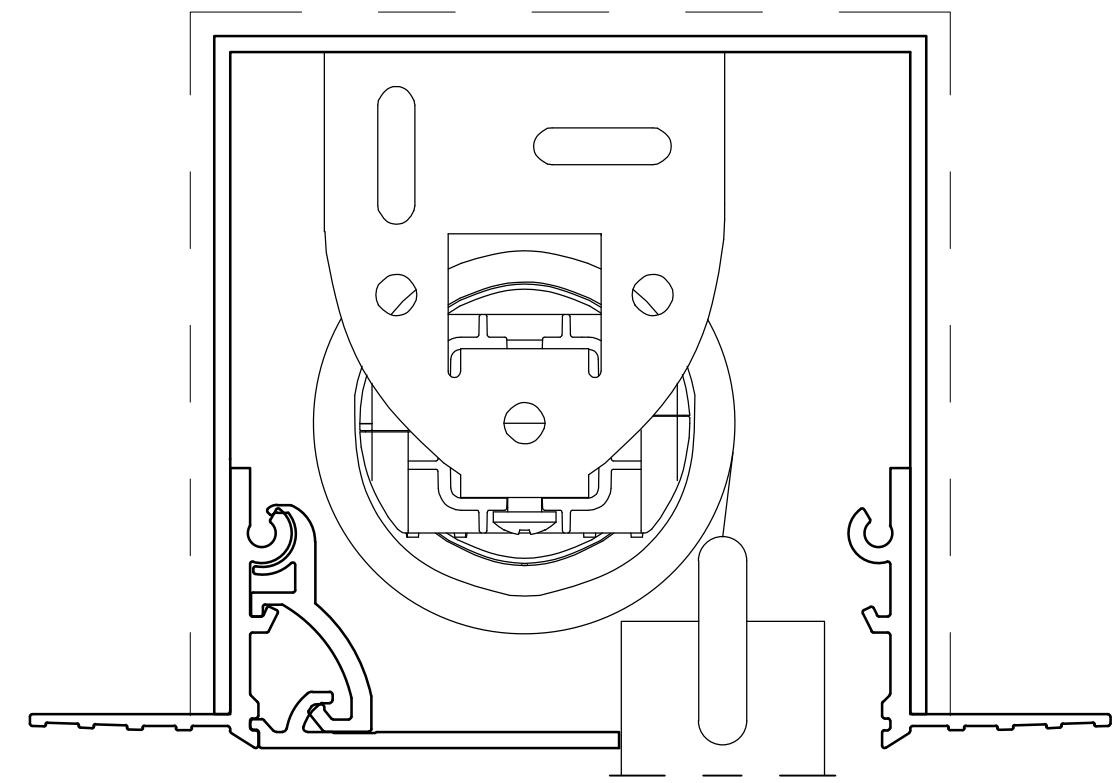
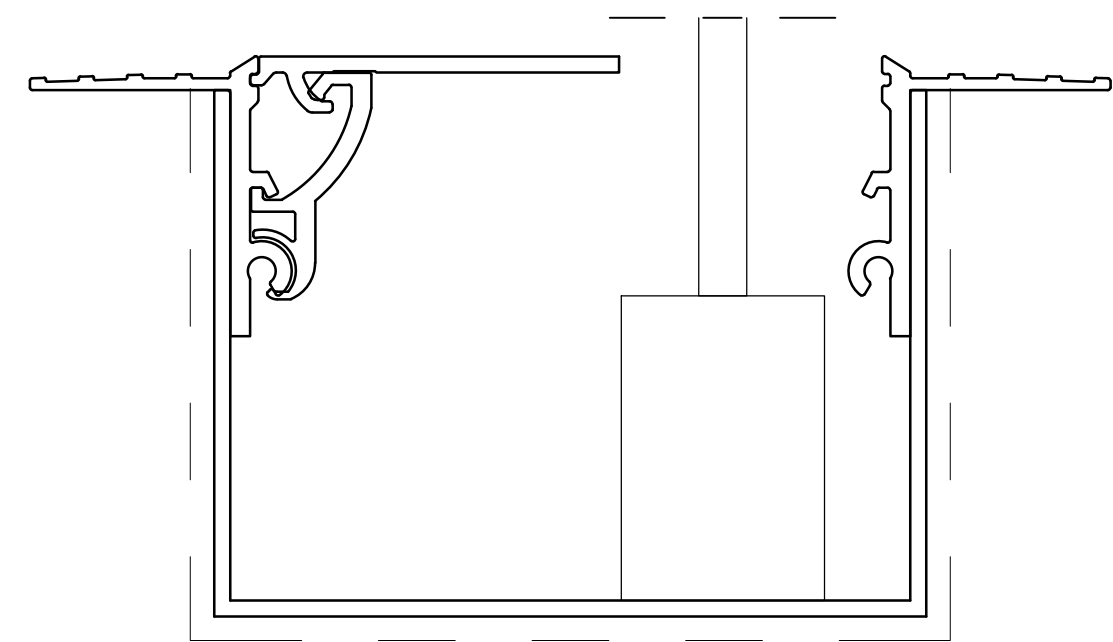


C\_\_x\_\_  
for LUTRON R064 – Roller Blind

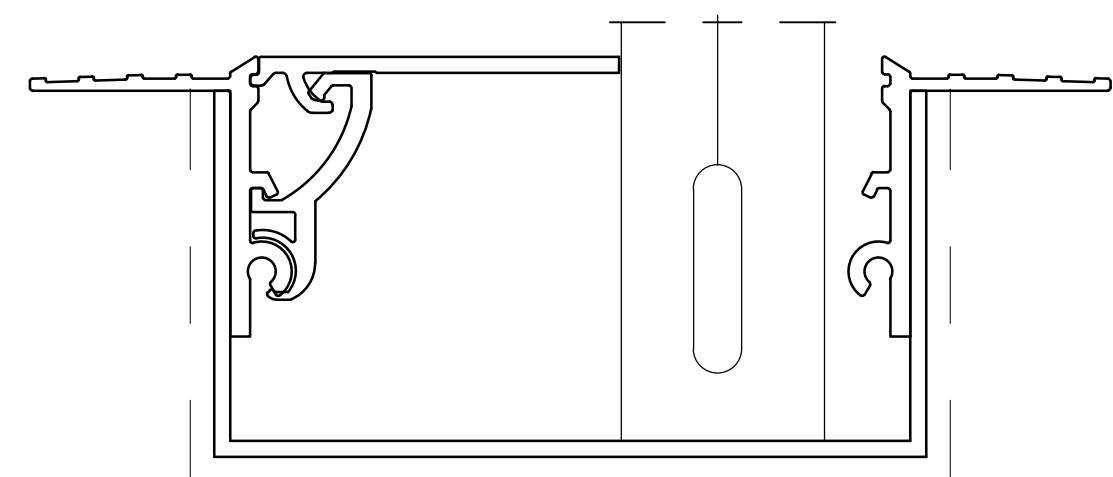
HEAD BOX C\_\_x\_\_



SIDE BOX C\_\_x\_\_ (OPTIONAL)



HEM BAR BOX C\_\_x\_\_ (OPTIONAL)



PRODUCT REFERENCE

C\_\_x\_\_  
SERIES SIZE CORNERS

FRAME DESIGN OPTIONS



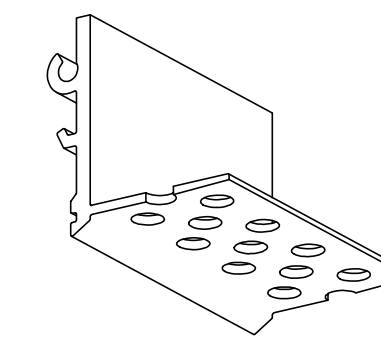
Head Box



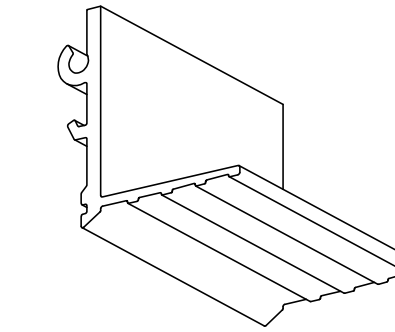
Head Box  
+ Side Boxes



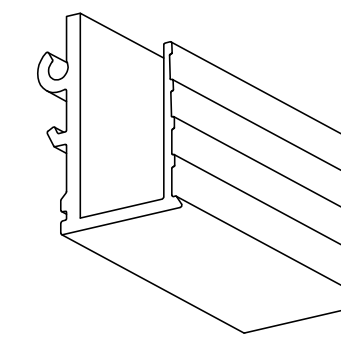
Head Box  
+ Side Boxes  
+ Hem Bar Box



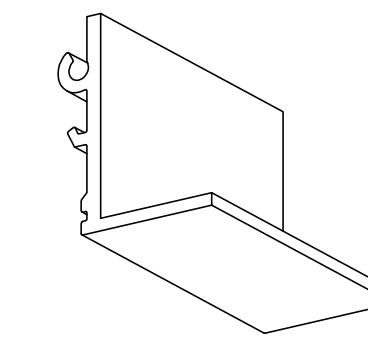
P– Perforated Flange



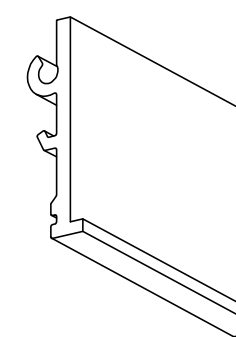
S– Skim Coat Flange



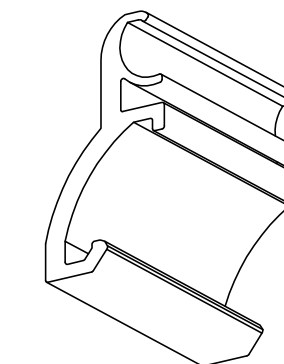
U– Upstand Flange



V– Visible Flange



N– No Flange



COVER HINGE  
to hold cover plate,  
installed on either side

**Light & Shade**  
SOLUTIONS

BY: LIGHT AND SHADE SOLUTIONS  
LIGHTANDSHADESOLUTIONS.NET  
BRIAN TONOLE  
OFFICE: 1-877-587-4233  
EMAIL :  
SALES@LIGHTANDSHADESOLUTIONS.NET

**PRODUCT:**  
**C SERIES**  
**DESCRIPTION:**  
RECESSED BOX WITH OPTIONAL FLANGES AND  
HINGED COVER TO CONCEAL BLINDS FLUSH  
WITH WALL OR CEILING FINISHED SURFACE.

**MATERIAL:**  
POWDER COATED ALUMINIUM,  
BACK BOX EN AW-1050A, FRONT CORNERS AND COVER EN 6063 T6

**FINISHES:**  
PROVIDED IN RAL 9016 (WHITE),  
OPTIONAL POWDER COATING TO OTHER RAL COLORS AVAILABLE

**BLIND SIZES TO FIT INSIDE OF BOX:**  
ROLLER 64 OR SMALLER

**INSTALLATION:**  
BOXES TO BE FIXED WITH COUNTERSUNK SCREWS EVERY 200MM  
THROUGH BACK AND BOTH FLANGES WHEN AVAILABLE INTO  
APPROPRIATE BACKING.  
SCRM TAPE TO BE USED ON FLANGES, FINISHED PLASTER LEVEL,  
TO BE FLUSH WITH COVER, ALLOW 3MM RECESS SPACE FOR  
BASE OF INSTALLATION, SHOWN IN DASH LINE AROUND BOXES

**ITEM NAMES:**  
BLINDSPACE C SERIES

**SHEET #:**  
C2.0