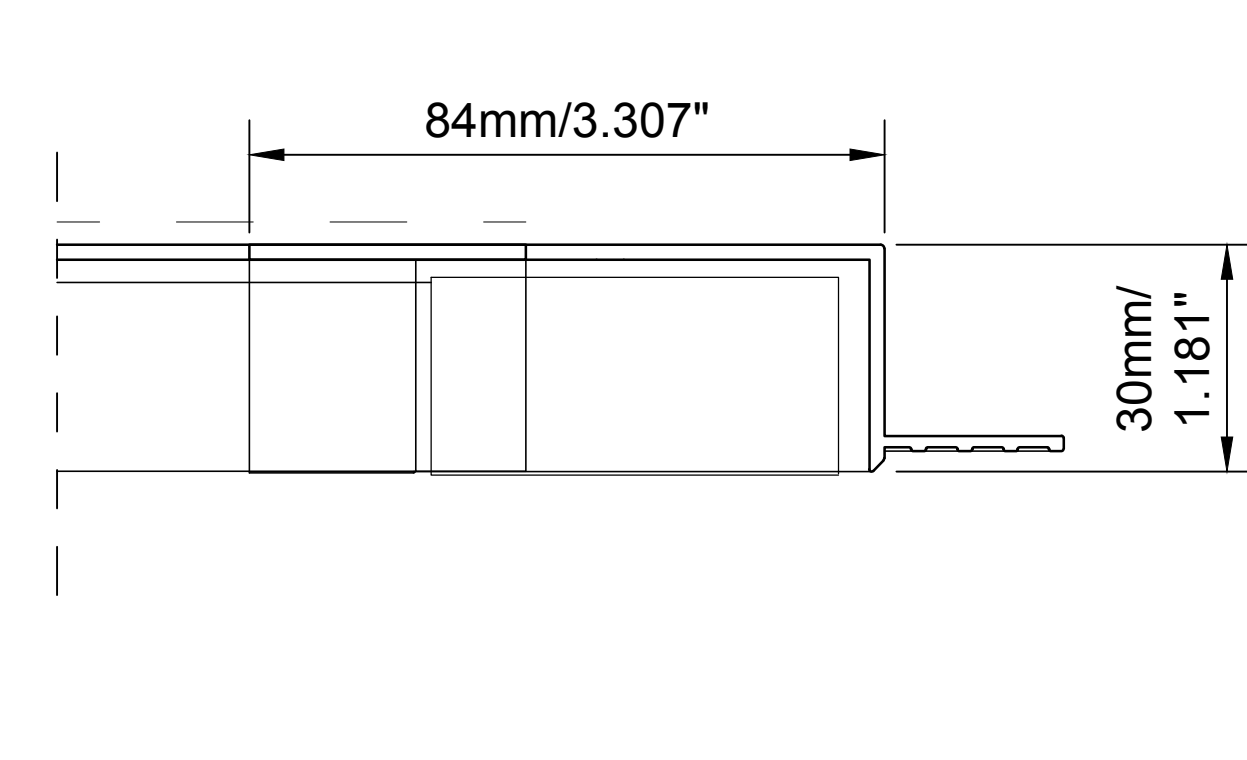
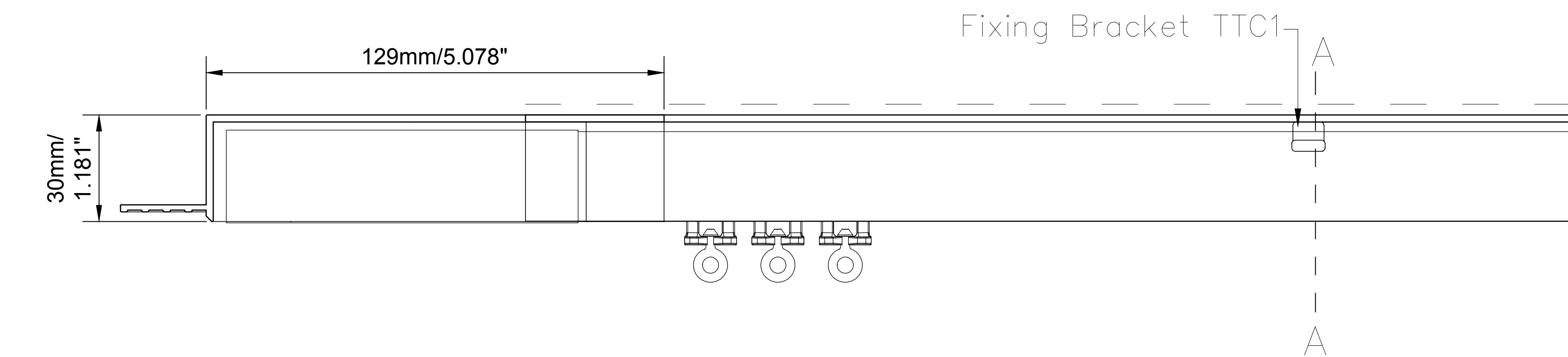
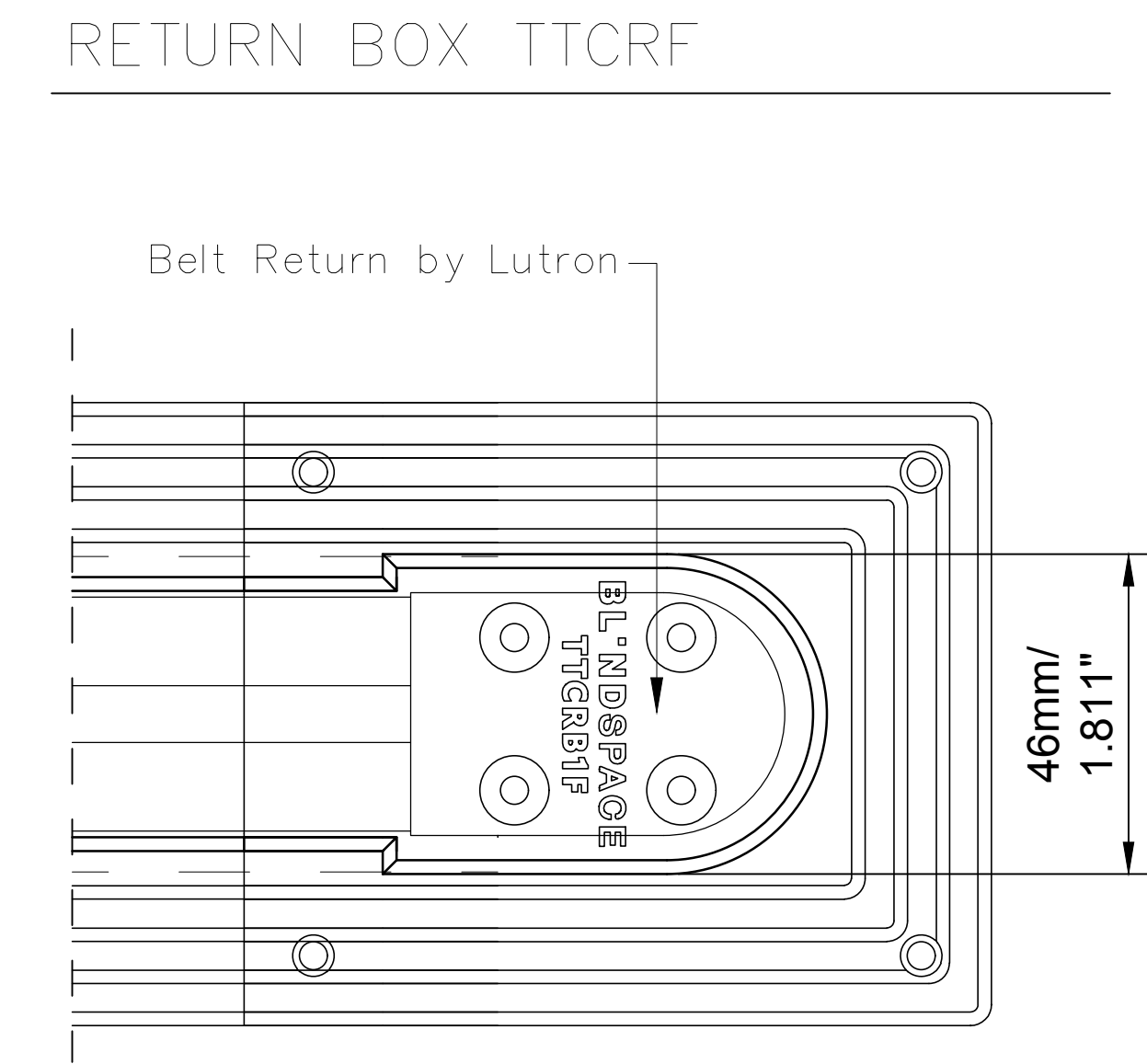
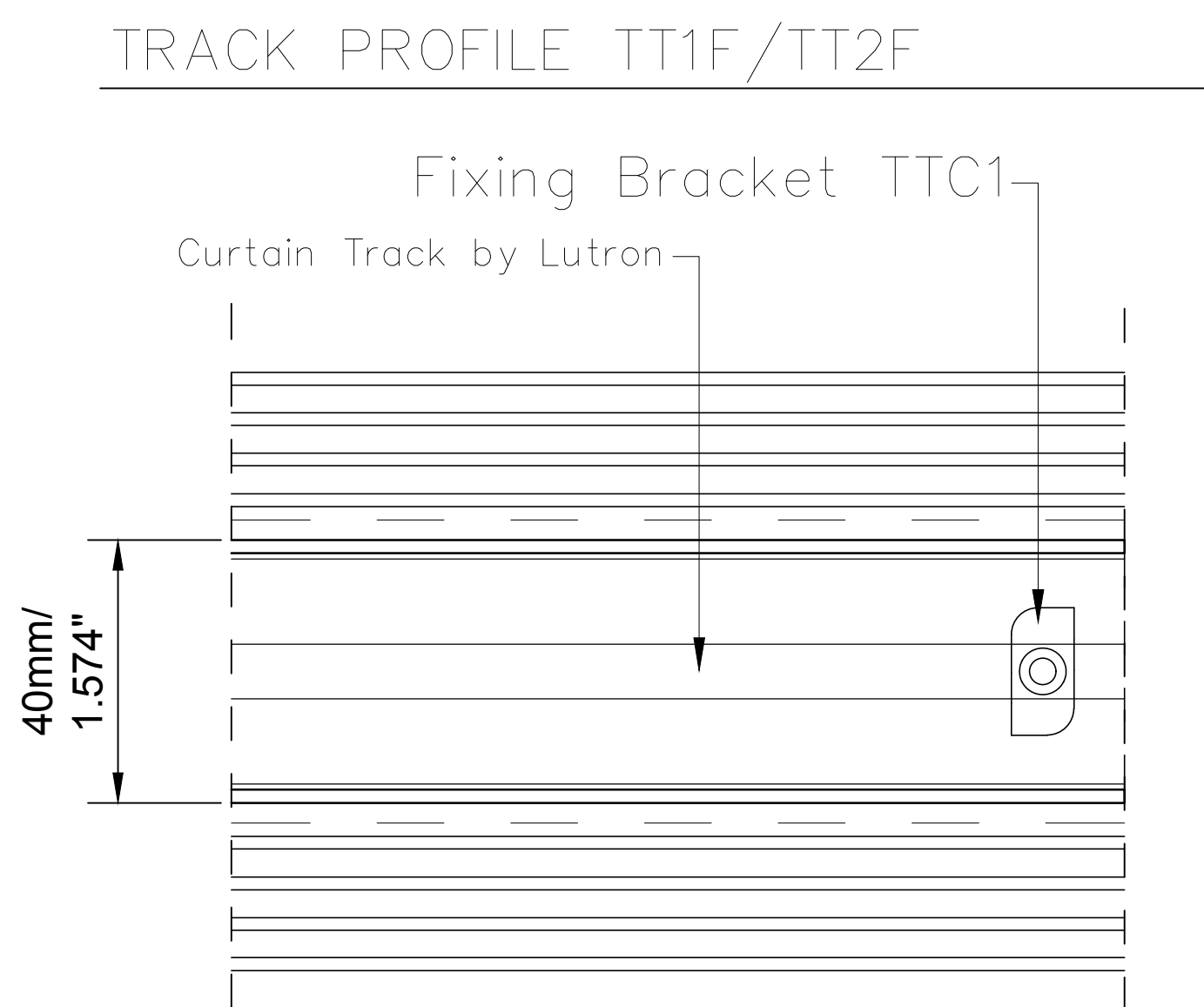
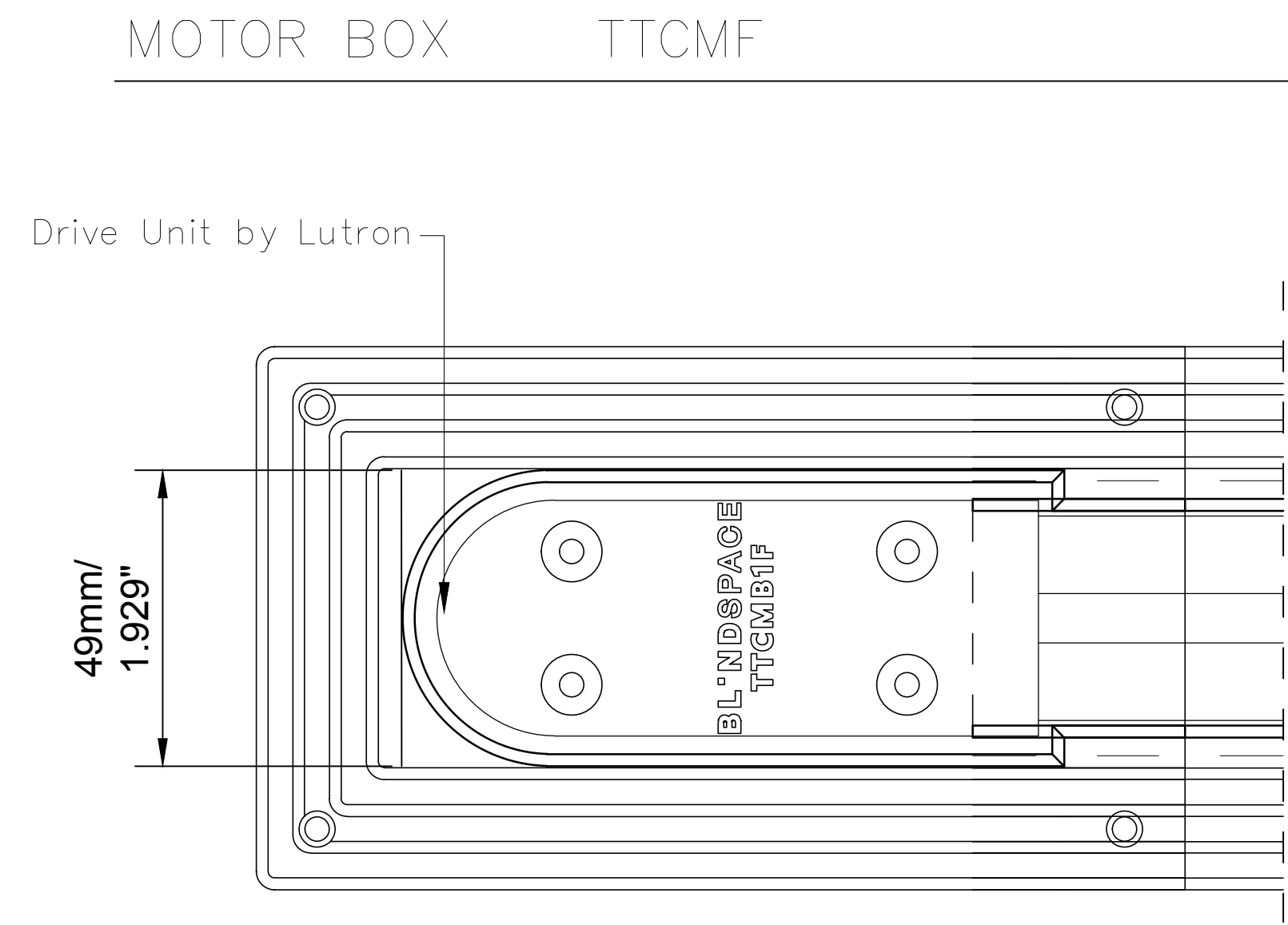
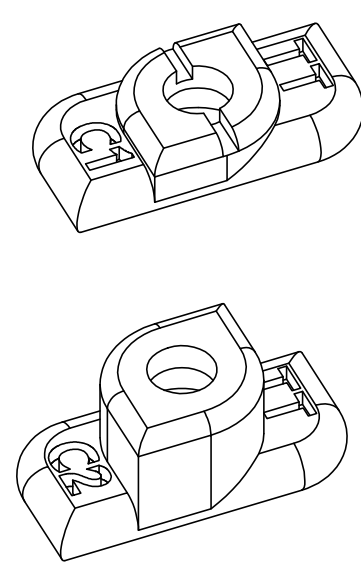


TrackTrim®  
for CRESTRON CSS-DRAPERY Curtain Track with motor end and return end



FIXING BRACKET

TTC1 – Fixing Bracket

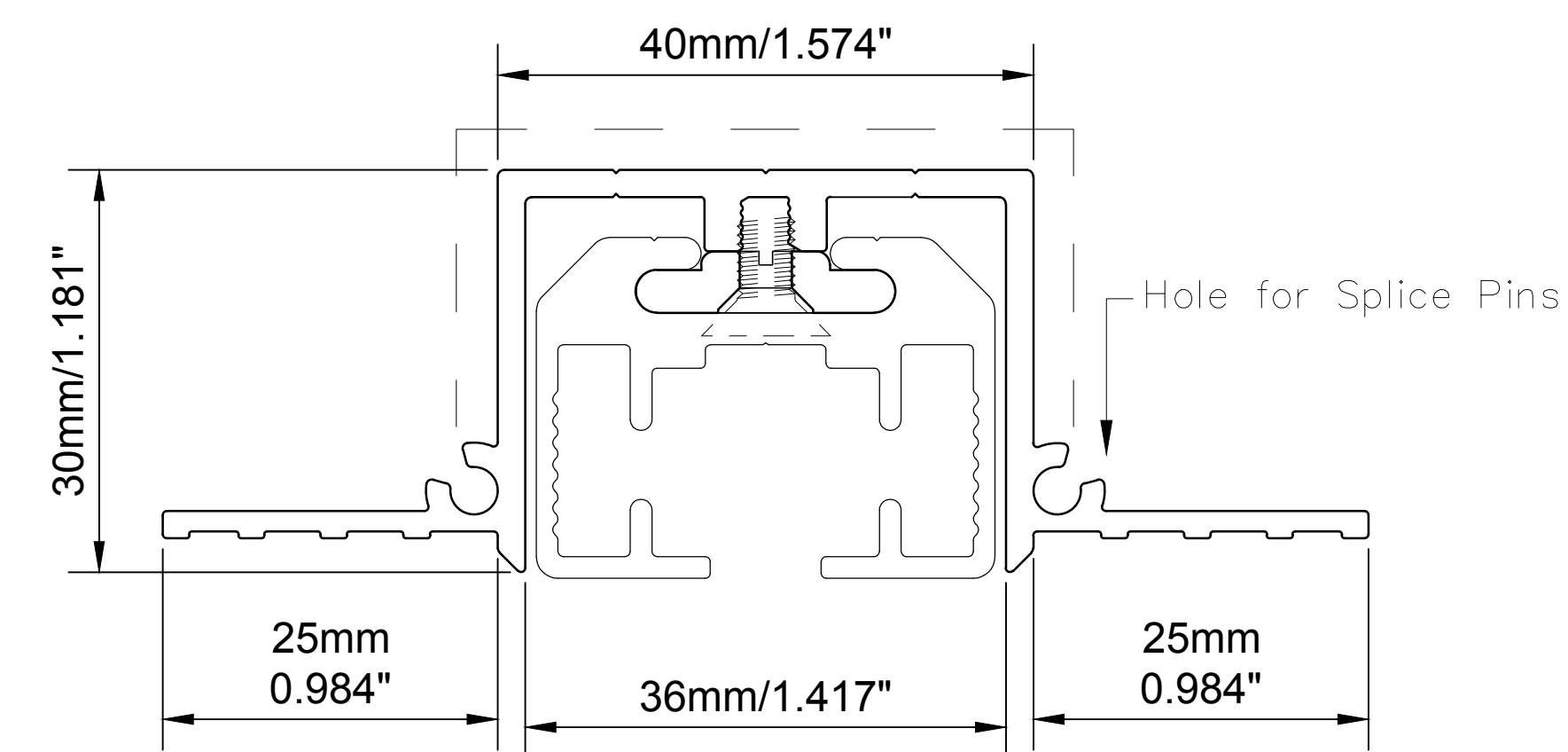


Fixing Bracket for drapery track  
TTC1 for TT1F TrackTrim profile  
TTC2 for TT2F TrackTrim profile

SECTION A-A TT1F PROFILE

SCALE 2:1

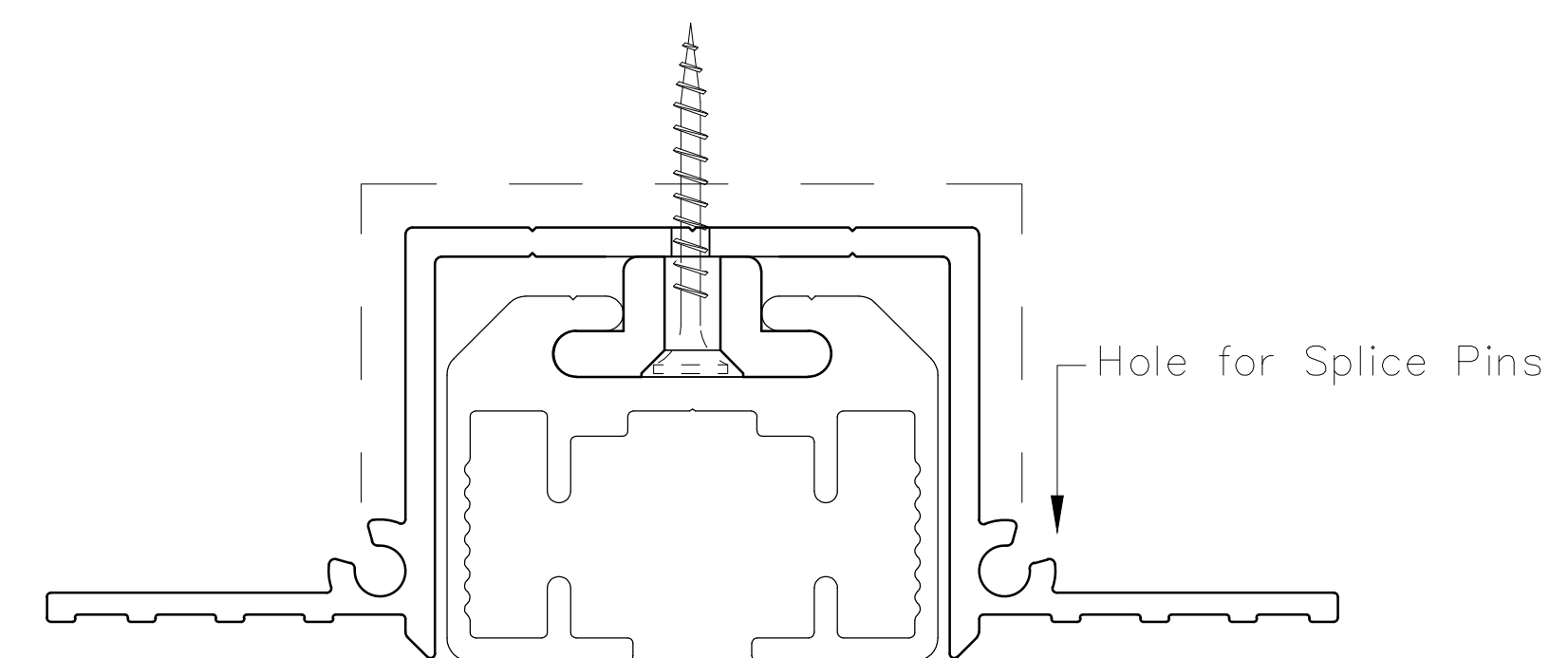
TT1F – Track with Screw Channel, possible Screw-Through Fixing



SECTION A-A TT2F PROFILE (OPTIONAL)

SCALE 2:1

TT2F – Track for Screw-Through Fixing



SCALE: 1:1

Light & Shade  
SOLUTIONS

BY: LIGHT AND SHADE SOLUTIONS  
LIGHTANDSHADESOLUTIONS.NET  
BRIAN TONOLE  
OFFICE: 1-877-587-4233  
EMAIL: SALES@LIGHTANDSHADESOLUTIONS.NET

PRODUCT: TRACKTRIM FOR CRESTRON CSS-DRAPERY

DESCRIPTION: RECESSED PROFILES TO HOUSE CURTAIN TRACKS.

MATERIAL: TRACK EN 6063 T6; END SET PLA THERMOPLASTIC POLYESTER

FINISHES: WHITE TO BE PLASTERED IN AND DECORATED AT SITE TO MATCH CEILING

TRACK LENGTH: 2000MM CUT TO SIZE FOR SHORTER LENGTHS; SPLICED TOGETHER FOR LONGER LENGTHS.

INSTALLATION: TRACKS TO BE FIXED WITH COUNTERSINK SCREWS EVERY 200MM THROUGH BACK (AND BOTH FLANGES WHEN AVAILABLE) INTO APPROPRIATE BACKING. SCRM TAPE TO BE USED ON FLANGES. FINISHED PLASTER LEVEL TO BE FLUSH WITH CHAMFERED EDGE. ALLOW 3MM RECESS SPACE FOR EASE OF INSTALLATION. SHOWN IN DASH LINE AROUND TRACKS.

ITEM NAMES: BLINDSPACE FOR CRESTRON CSS-DRAPERY CURTAIN TRACK TRACKS: TT1F/TT2F END-SETS: TTCMF/TTCRF FIXING BRACKET: TTC1/TTC2 EXAMPLE: TT1F WITH TTCMF & TTCRF

SHEET #: T6.0