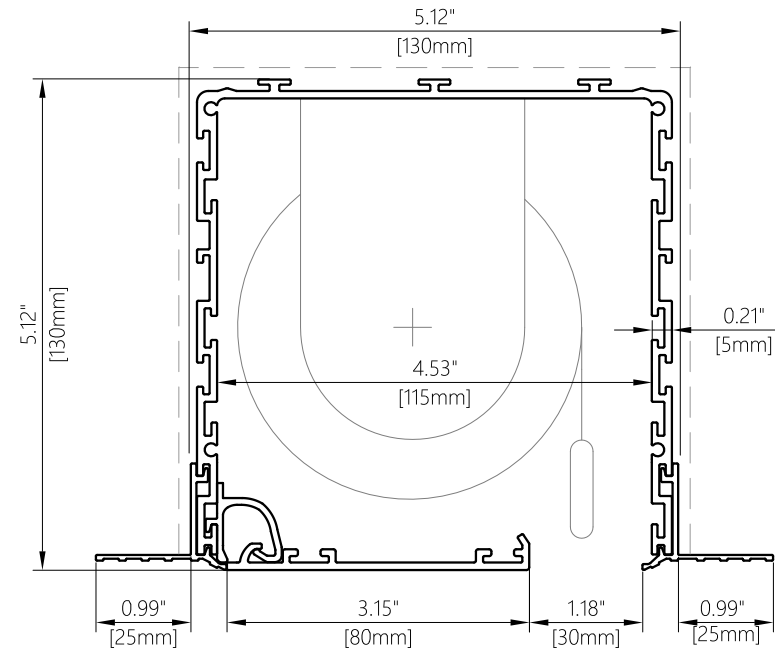
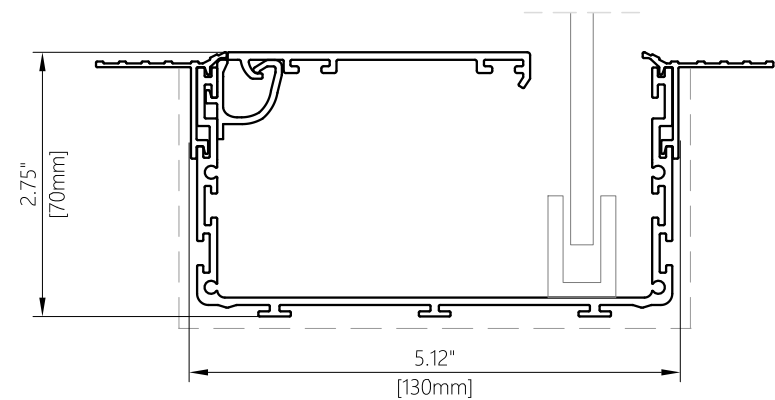


Blindspace® M130x130 [5.12x5.12"] for Large Roller Blind

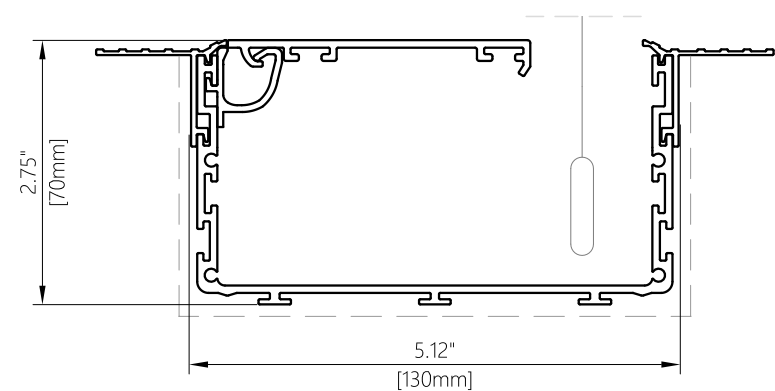
HEAD BOX M130x130SS



SIDE BOX M130x70SS (OPTIONAL)



HEM BAR BOX M130x70SS (OPTIONAL)

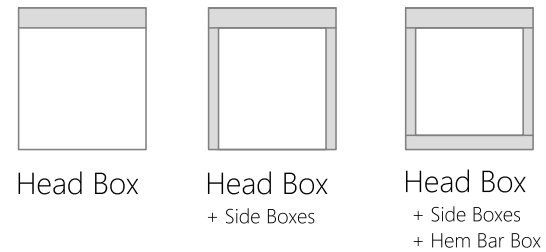


6"-1' scale

PRODUCT REFERENCE

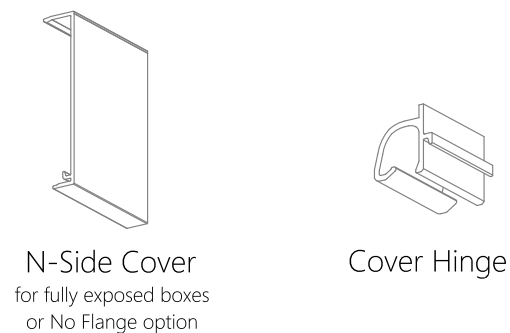
M130x130SS SERIES SIZE CORNERS

CONCEALMENT CONFIGURATION OPTIONS



MODULAR COMPONENTS

System composes of interlocking modules secured with grub screws (grub screws not shown for clarity). All modules can be flipped (mirrored) for left and right side use. Additional modules and covers variations available. Various configuration possible. For further details and all possible configurations visit blindspace.com



Product	Blindspace M130x130 [5.12x5.12"], M100x70 [5.12x2.75"]
Description	Recessed box with optional flanges and hinged cover to conceal blinds flush with wall or ceiling finished surface.
Blind sizes	Please see size chart and supplier details for blind sizes such as max. width, height and area.
Finishes	Back box provided in black; other components in RAL 9003 (white) Optional powder coating to other RAL colours available.
Material	Anodized Aluminium EN 6063 T6, Powder Coated Modular Components
Optional accessories	End cap Splice pin (to align boxes) Splice plate (to align covers) Chain guide (for manual blinds) Covers in various widths
Box length	16'-4.8" [5000mm] Cut to size for shorter lengths. Spliced together for longer lengths.
Installation	Boxes to be fixed with countersunk screws every 7.87" [200mm] through back (and both flanges when available) into appropriate backing. Scrim tape to be used on flanges. Finished plaster level to be flush with cover. Allow 0.12" [3mm] recess space for ease of installation, shown in dash line around boxes
Print date	2023/07/14
Page size	ANSI B 11x17"
Print file	blindspace m130x130 with large roller [inch].dwg