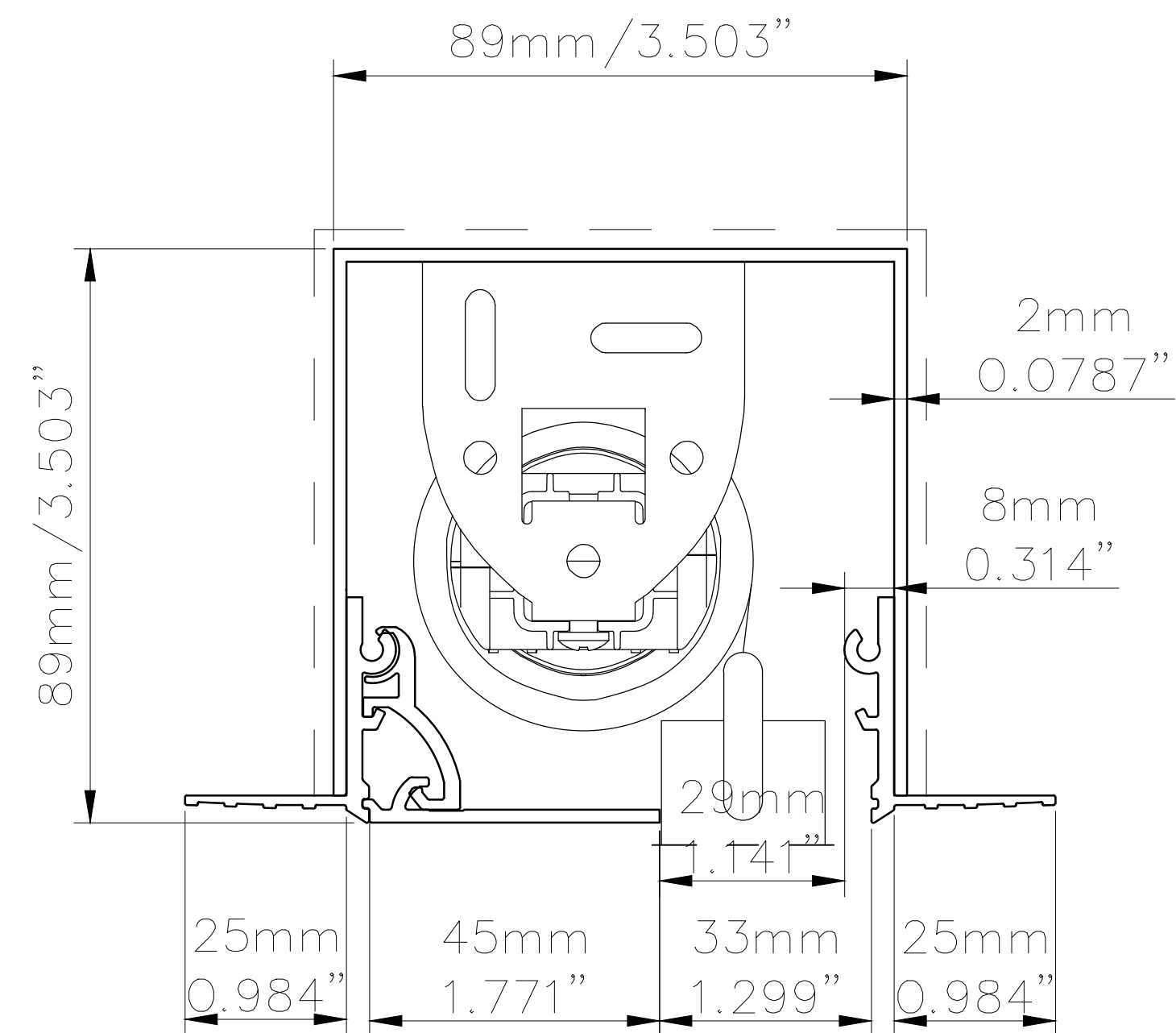
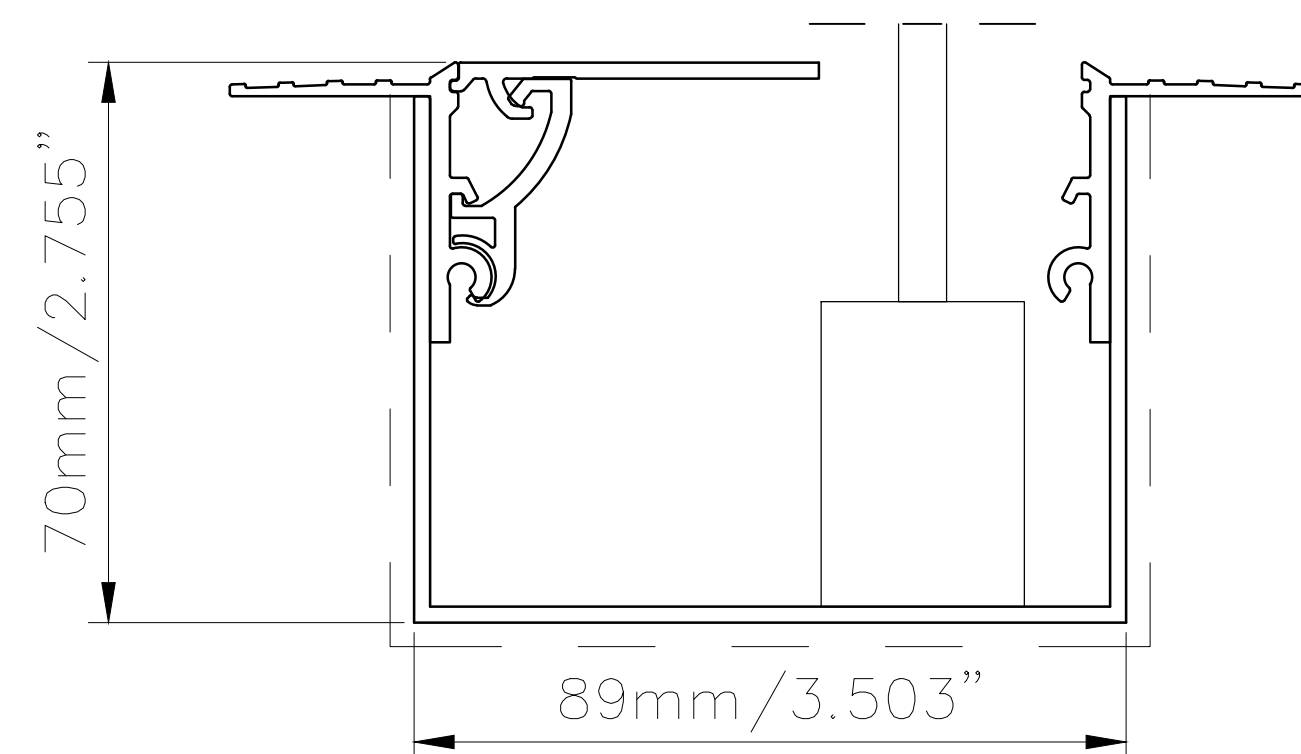


C89x89  
for LUTRON R064 – Roller Blind

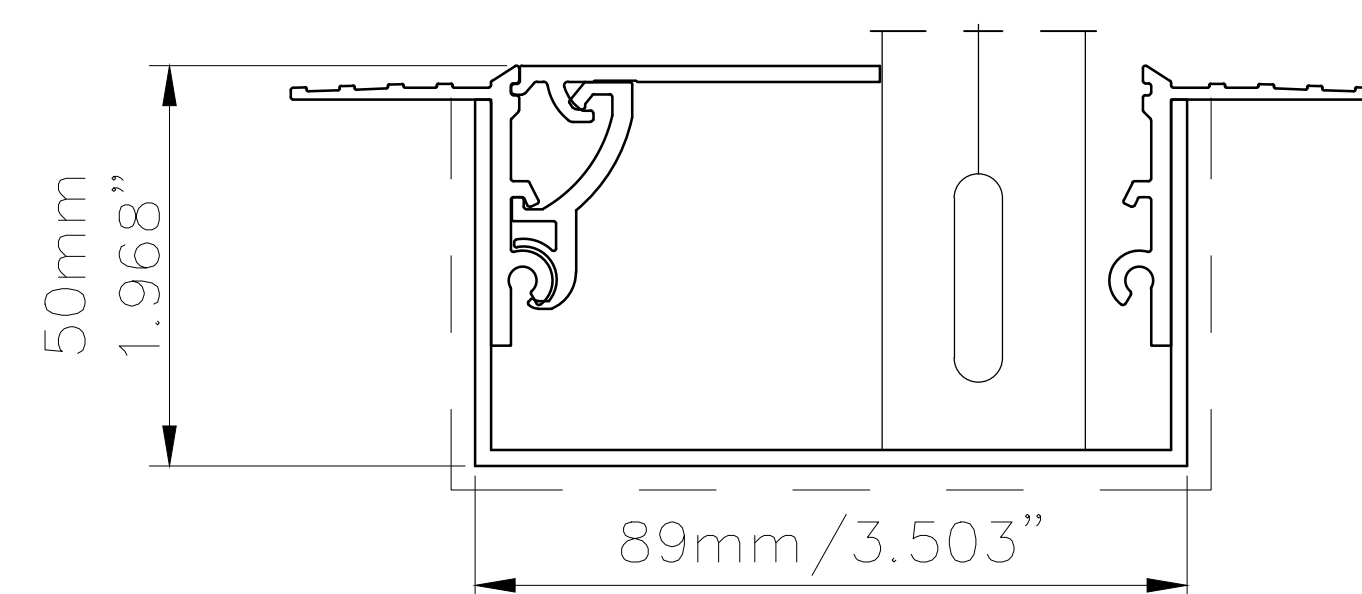
HEAD BOX C89x89



SIDE BOX C89x70 (OPTIONAL)



HEM BAR BOX C89x50 (OPTIONAL)



PRODUCT REFERENCE

C89x89  
SERIES SIZE CORNERS

FRAME DESIGN OPTIONS



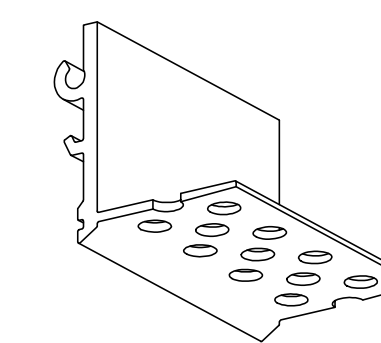
Head Box



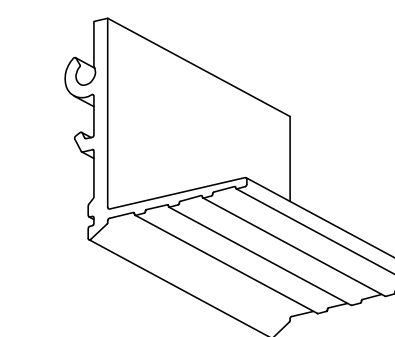
Head Box  
+ Side Boxes



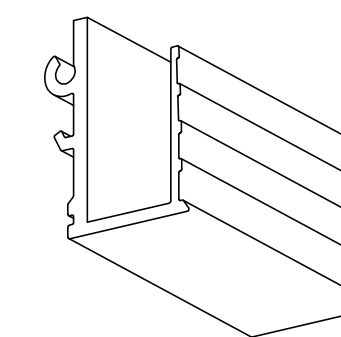
Head Box  
+ Side Boxes  
+ Hem Bar Box



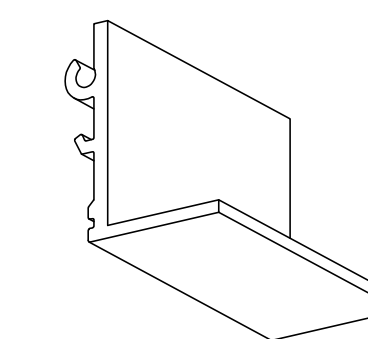
P– Perforated Flange



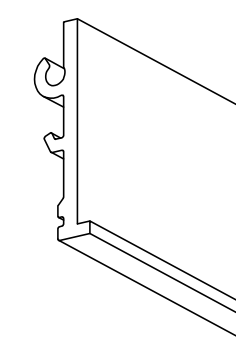
S– Skim Coat Flange



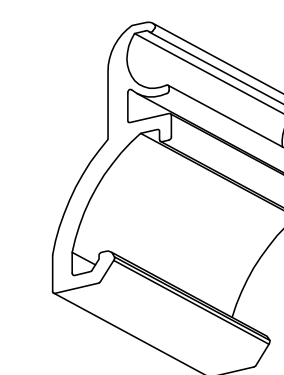
U– Upstand Flange



V– Visible Flange



N– No Flange



COVER HINGE  
to hold cover plate,  
installed on either side

**Light & Shade**  
SOLUTIONS

BY: LIGHT AND SHADE SOLUTIONS  
LIGHTANDSHADESOLUTIONS.NET  
BRIAN TONOLE  
OFFICE: 1-877-587-4233  
EMAIL: SALES@LIGHTANDSHADESOLUTIONS.NET

PRODUCT: **C 89X89 & C89X70**

DESCRIPTION:

**RECESSED BOX WITH OPTIONAL FLANGES AND HINGED COVER TO CONCEAL BLINDS FLUSH WITH WALL OR CEILING FINISHED SURFACE.**

MATERIAL:

POWDER COATED ALUMINIUM,  
BACK BOX EN AW-1050A, FRONT CORNERS AND COVER EN 6063 T6

FINISHES:

PROVIDED IN RAL 9016 (WHITE),  
OPTIONAL POWDER COATING TO OTHER RAL COLORS AVAILABLE

BLIND SIZES TO FIT INSIDE OF BOX:

ROLLER 64 OR SMALLER

INSTALLATION:

BOXES TO BE FIXED WITH COUNTERSINK SCREWS EVERY 200MM THROUGH BACK AND BOTH FLANGES WHEN AVAILABLE INTO APPROPRIATE BACKING. SCRM TAPE TO BE USED ON FLANGES. FINISHED PLASTER LEVEL TO BE FLUSH WITH COVER. ALLOW 10MM RECESS SPACE FOR EASE OF INSTALLATION. SHOWN IN DASH LINE AROUND BOXES

ITEM NAMES:

BLINDSPACE C89X89, C89X70, C89X50

SHEET #:

**C1.0**