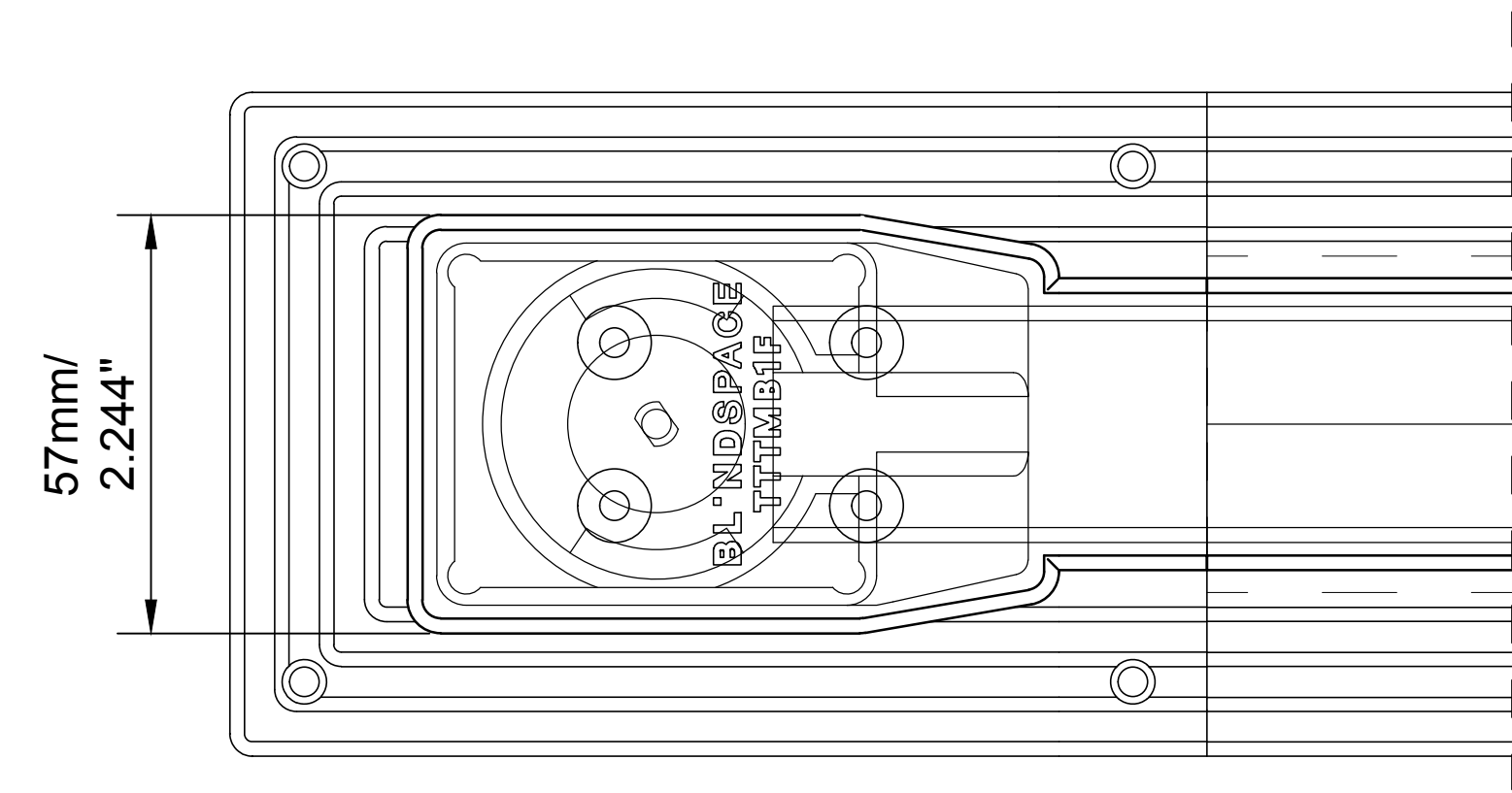
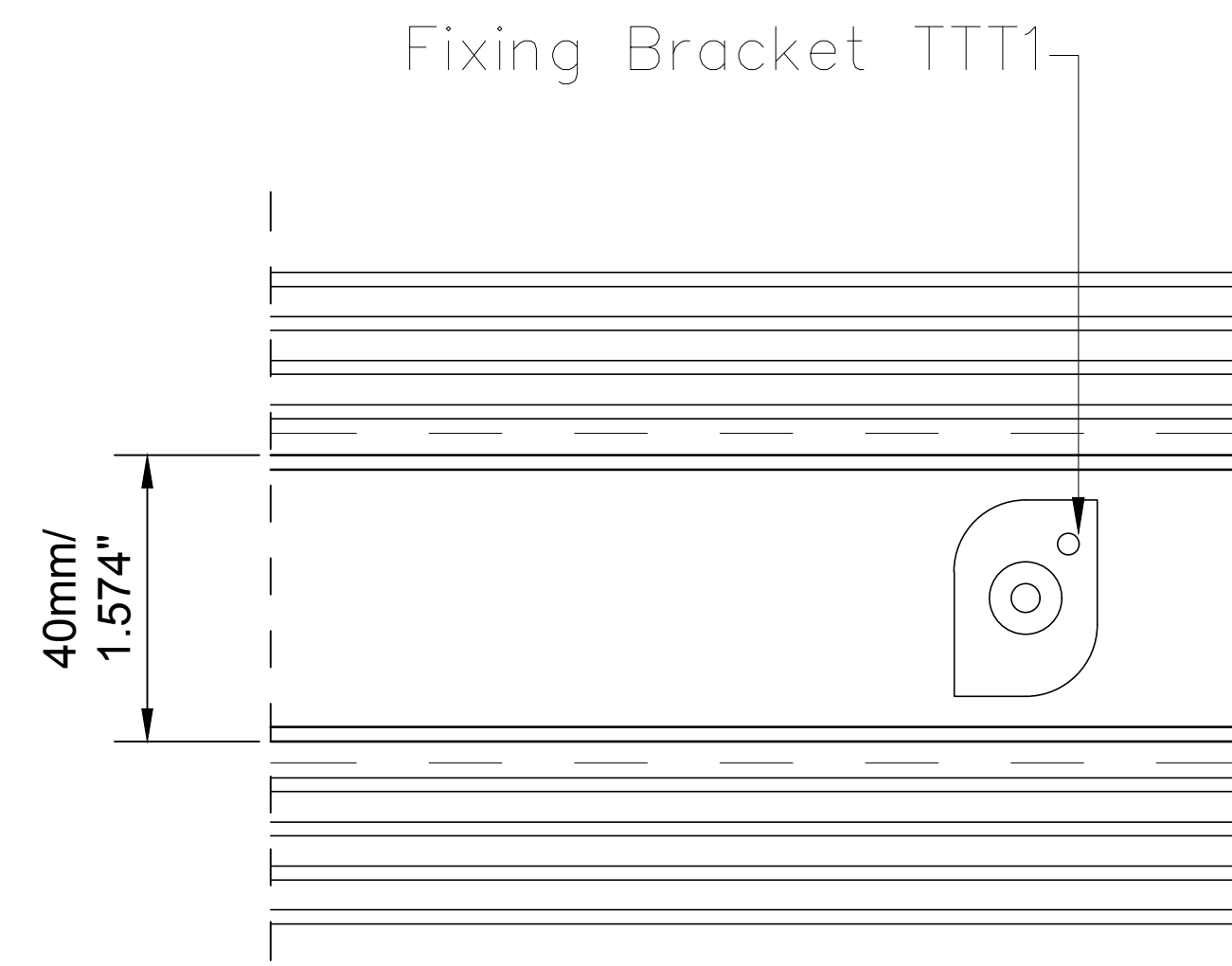


TrackTrim®  
for TRIETEX Curtain Track

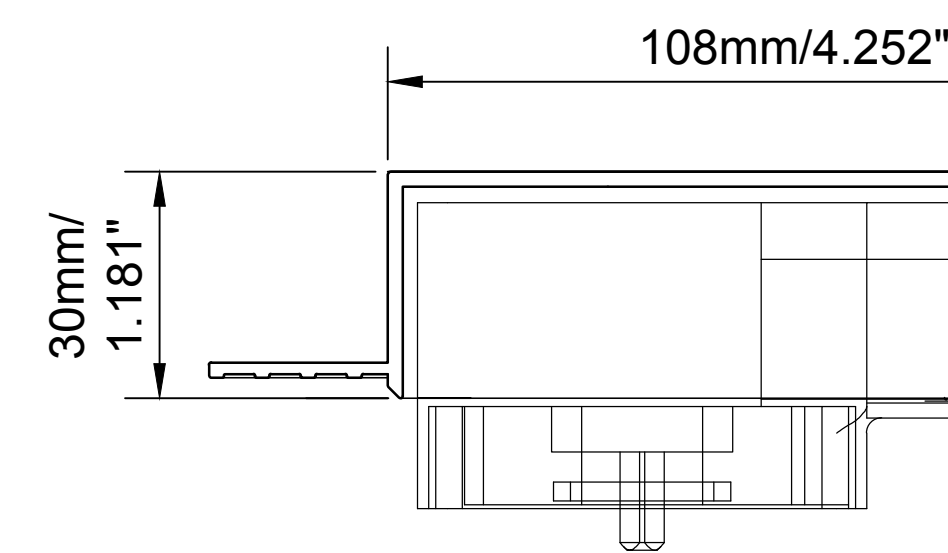
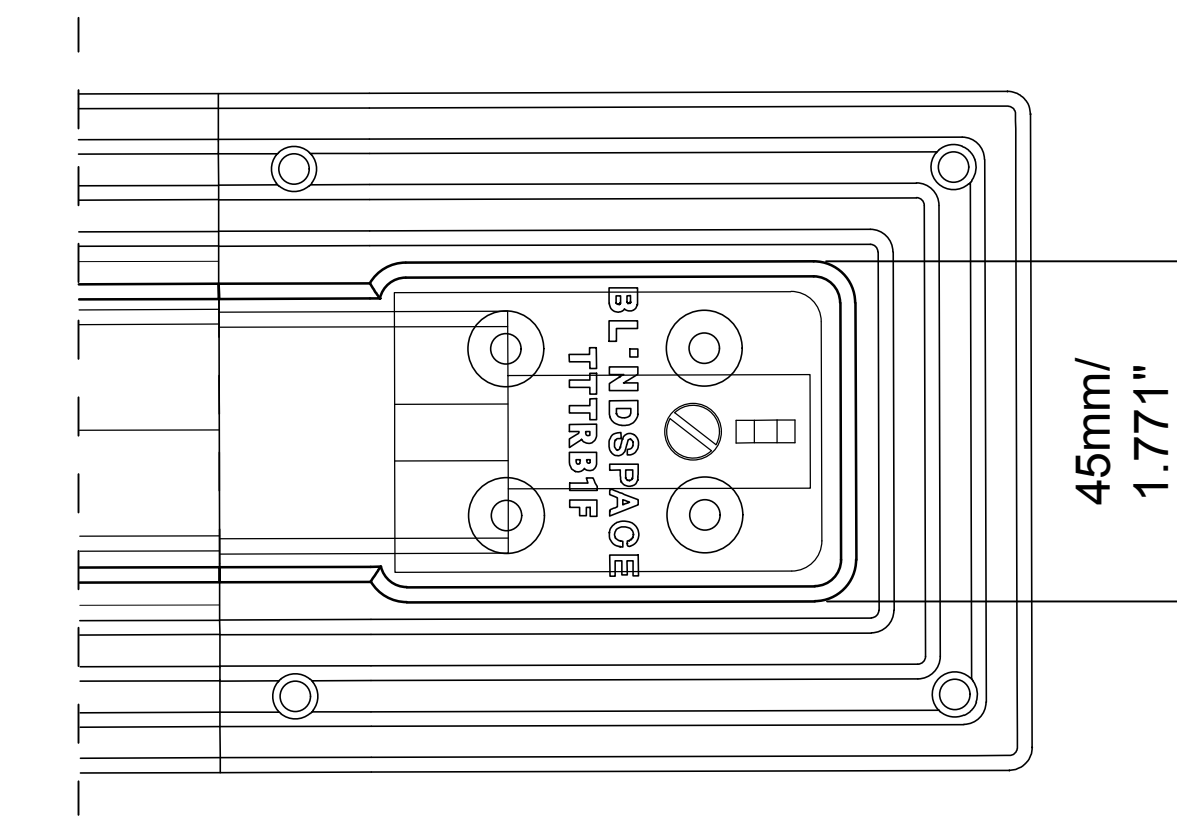
MOTOR BOX TTT1MB1F



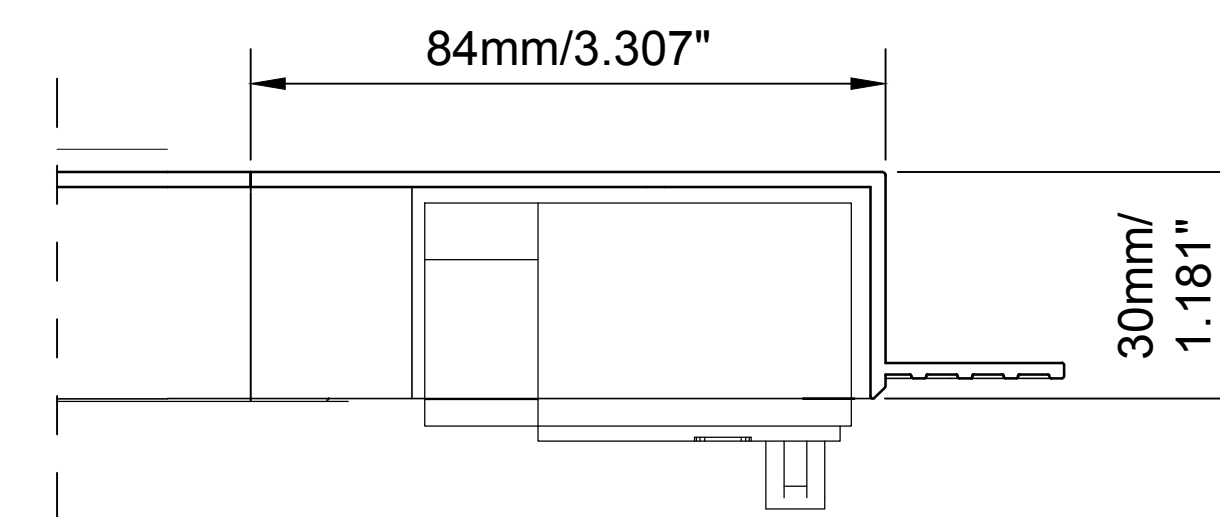
TRACK PROFILE TT1F/TT2F



RETURN BOX TTT1RB1F

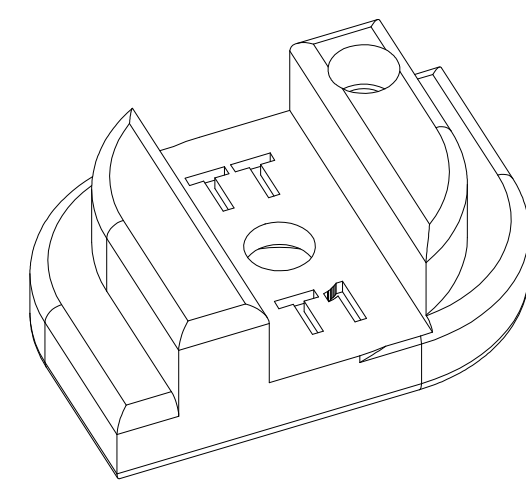


Fixing Bracket TTT1



FIXING BRACKET

TTT1 – Fixing Bracket

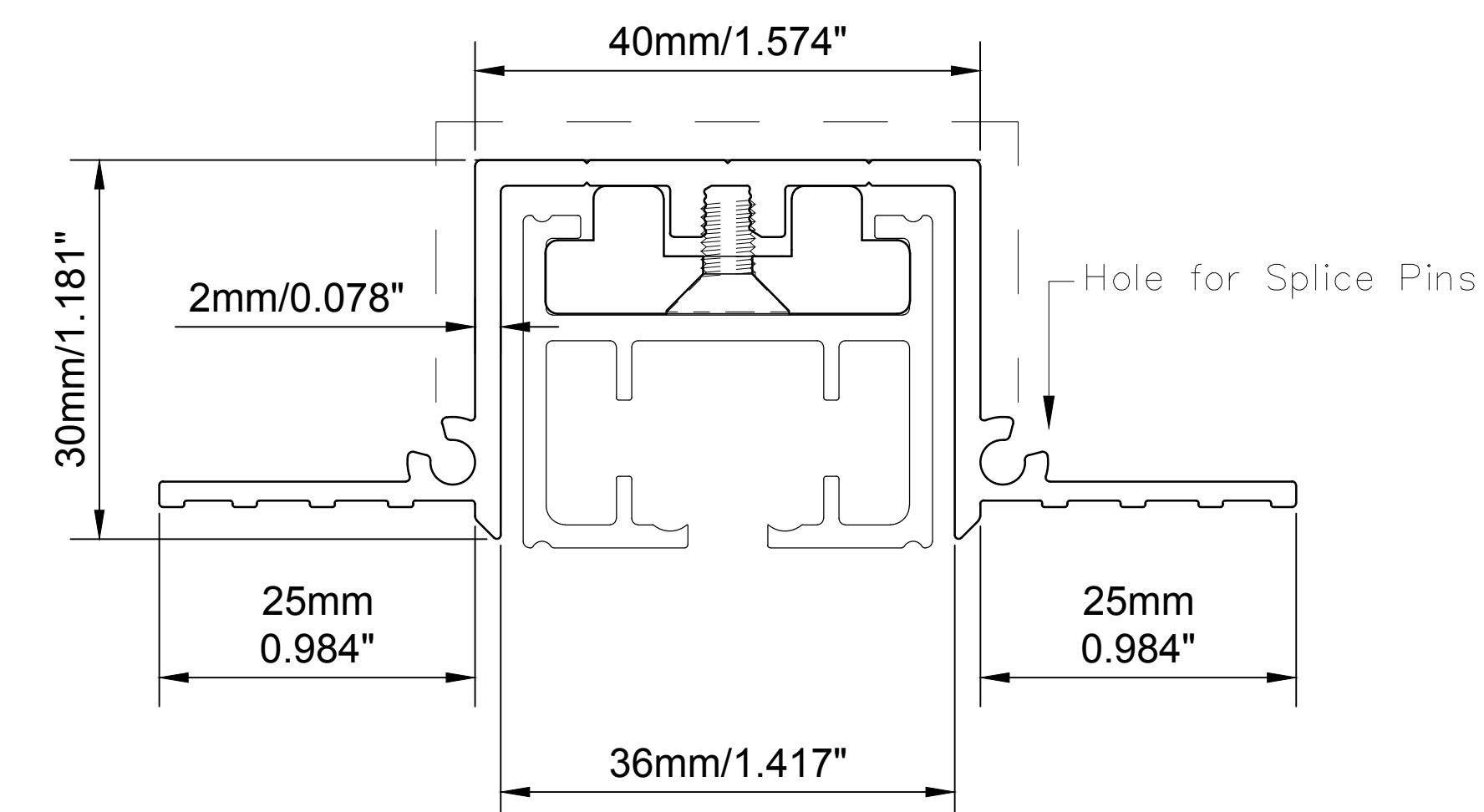


Fixing Bracket for drapery track  
can be used with both types  
TT1F & TT2F of TrackTrim profiles.

SECTION A-A TT1F PROFILE

SCALE 2:1

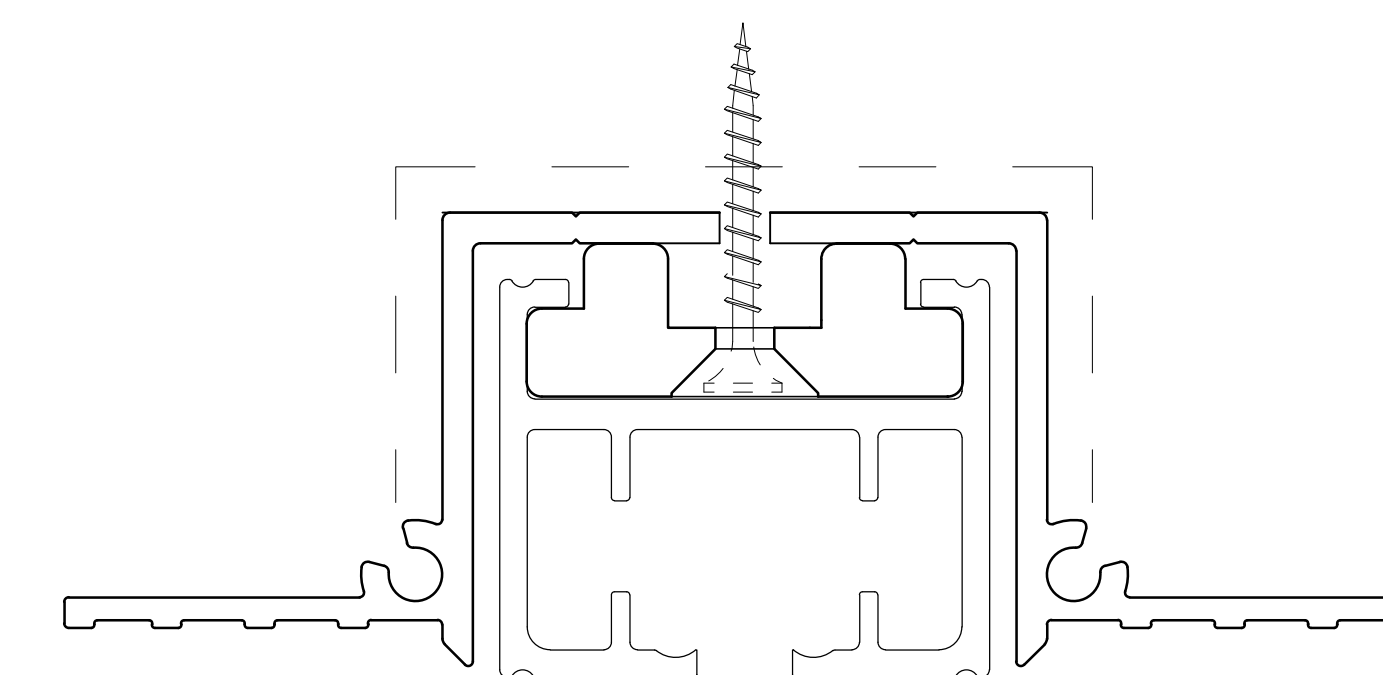
TT1F – Track with Screw Channel, possible Screw-Through Fixing



SECTION A-A TT2F PROFILE (OPTIONAL)

SCALE 2:1

TT2F – Track for Screw-Through Fixing



SCALE: 1:1

Light & Shade  
SOLUTIONS

BY: LIGHT AND SHADE SOLUTIONS  
LIGHTANDSHADESOLUTIONS.NET  
BRIAN TONOLE  
OFFICE: 1-877-587-4233  
EMAIL:  
SALES@LIGHTANDSHADESOLUTIONS.NET

PRODUCT:  
**TRACKTRIM FOR TRIETEX**

DESCRIPTION:  
**RECESSED PROFILES TO HOUSE CURTAIN TRACKS.**

MATERIAL:  
TRACK EN 6063 T6;  
END SET PLA THERMOPLASTIC POLYESTER

FINISHES:  
WHITE TO BE PLASTERED IN AND DECORATED AT SITE TO MATCH CEILING

TRACK LENGTH:  
2000MM  
CUT TO SIZE FOR SHORTER LENGTHS.  
SPliced TOGETHER FOR LONGER LENGTHS.

INSTALLATION:  
TRACKS TO BE FIXED WITH COUNTERSINK SCREWS EVERY 200MM THROUGH BACK (AND BOTH FLANGES WHEN AVAILABLE) INTO APPROPRIATE BACKING. SCRM TAPE TO BE USED ON FLANGES. FINISHED PLASTER LEVEL TO BE FLUSH WITH CHAMFERED EDGE. ALLOW 3MM RECESS SPACE FOR EASE OF INSTALLATION. SHOWN IN DASH LINE AROUND TRACKS.

ITEM NAMES:  
BLINDSPACE FOR TRIETEX CURTAIN TRACK  
TRACKS: TT1F/TT2F  
END-SETS: TTT1MB1F/TTT1RB1F  
FIXING BRACKET: TTT1  
EXAMPLE: TT1F WITH TTT1MB1F & TTT1RB1F

SHEET #:  
**T10.0**